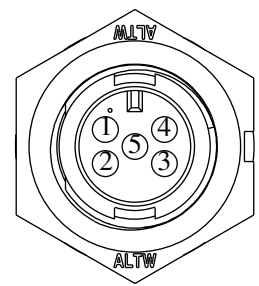
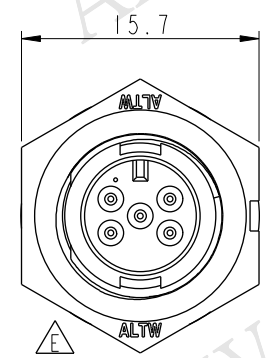
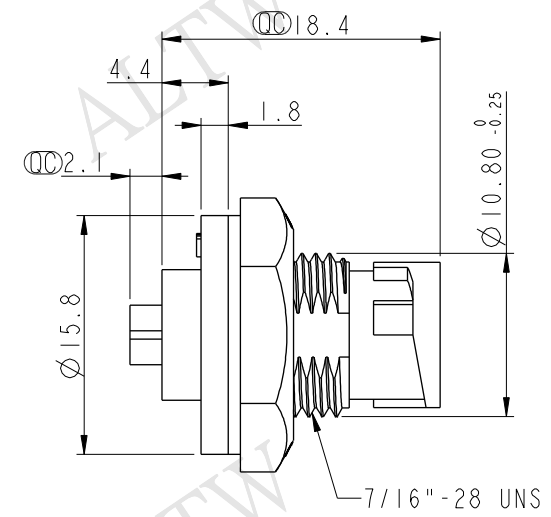
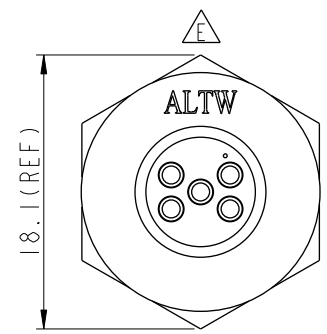


THIS DOCUMENT IS SUBJECT TO CHANGE WITHOUT NOTICE. IT IS CONFIDENTIAL AND A PROPERTY OF AMPHENOL LTW. DISCLOSURE TO THIRD PARTY HAS TO BE AUTHORIZED BY AMPHENOL LTW.

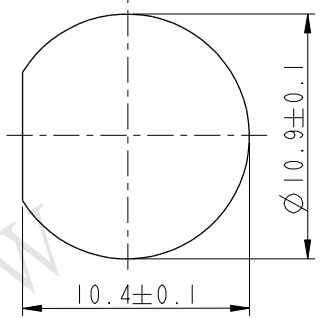
REV.	ECN NO.	DATE	SIGN	DESCRIPTION
C	LEN-750127	2007/04/26	A.F. Valentino	Changed Precision Of Dimensions
D	LEN-8A0150	2008/09/15	Shin	Add Notes
E	LEN1640079	2016/03/30	Vicky	Update Logo

ALTW
 CONFIDENTIAL
 2016-03-30
 R&D DEPT.

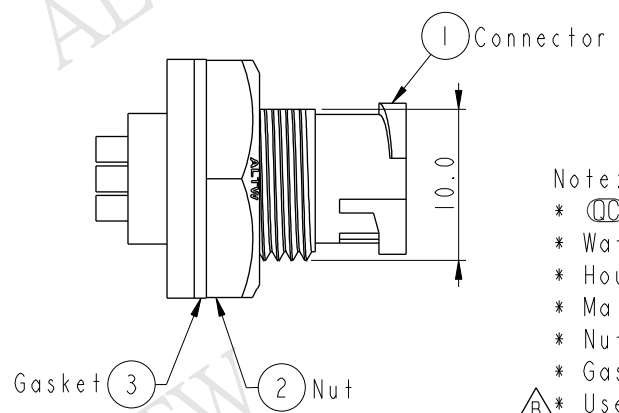
ALTW
 DCC. DEPT.
 CONFIDENTIAL
 2016.04.11
 ISSUED



Pin Assignments
Front View



Recommended Panel Cut-Out



Note:

- * CC Important Dimension
- * Waterproof Rate: IP67
- * Housing: Nylon+GF, Black
- * Male Pin: Copper Alloy, Gold Plated
- * Nut: Nylon+GF, Black
- * Gasket: EPDM, Black
- $\triangle B$ * Use with waterproof cap or dust cap
Panel Thickness max: 2.5mm
- $\triangle B$ * Use without waterproof cap or dust cap
Panel Thickness max: 3.5mm

UNIT: mm		
TOLERANCE	.X ± 0.25	
	.XX ± 0.1	
	.XXX ± 0.05	
ANGLES	$\pm 1^\circ$	

TITLE Mini Panel Lock 5Pin M Conn. M Pin			
SCALE 2:1	SIZE A4	SHEET 1 OF 1	
REV. E	WC-REV. A.1	CC : Inspection item	

Amphenol LTW
 安費諾亮泰企業股份有限公司

ITEM NO. AU-05PMMS-LC7001	DRAWN BY Vicky	DATE 2016-03-30
DWG NO. AU-05PMMS-LC7001	CHECKED BY Rita	DATE 2016-03-30
CUSTOMER ALTW	APPROVED BY Lisa	DATE 2016-03-30