

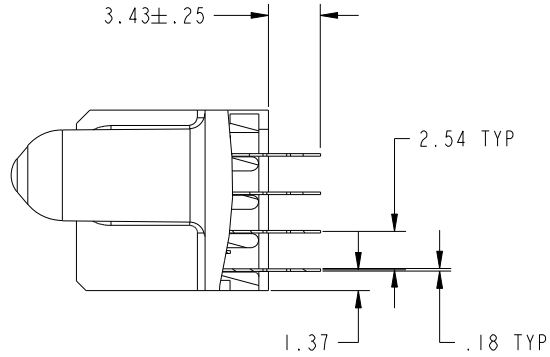


Tous droits strictement reserves. Reproduction ou communication a des tiers interdite sous quelque forme que ce soit sans autorisation ecrite du proprietaire. Propriete de c FCI. Droits de reproduction FCI.

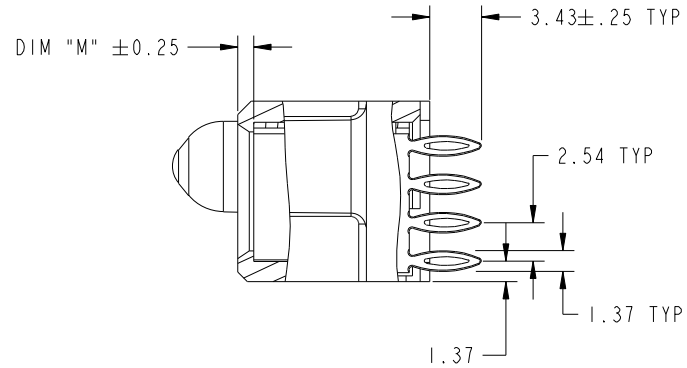
All rights strictly reserved. Reproduction or issue to third parties in any form whatever is not permitted without written authority from the proprietor. Property of FCI. Copyright FCI.



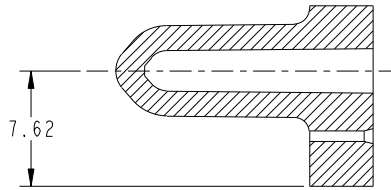
PRODUCT NUMBER  
51940-082--  
NOTE: 3



SECTION A-A  
SCALE 2:1



SECTION B-B  
SCALE 2:1



SECTION C-C  
SCALE 2:1

mat'l code		SEE NOTE		tolerances unless otherwise specified		CUSTOMER		 www.fciconnect.com	
lfr	ecn no.	dr	date	linear	0.X ± 0.5	COPY		title	
C				linear	0.XX ± 0.25	projection		44S + 18P	
				angles	0.XXX ± 0.10			VERTICAL PRESS-FIT RECEPT	
					0° ± 2°			product family	
				dr	T. BRUNGARD 03/17/04	MM		PwrBlade	
				enr	M. GRAY 03/17/04	1:1		code	
				chr	M. GRAY 03/17/04	scale		213	
				appd	M. GRAY 03/17/04	A		sheet	
sheet index		revision sheet				51940-082		2	

cage code 28506

A

A

B

B

1 | 2

3 |

4

1 | 2

Pro/E

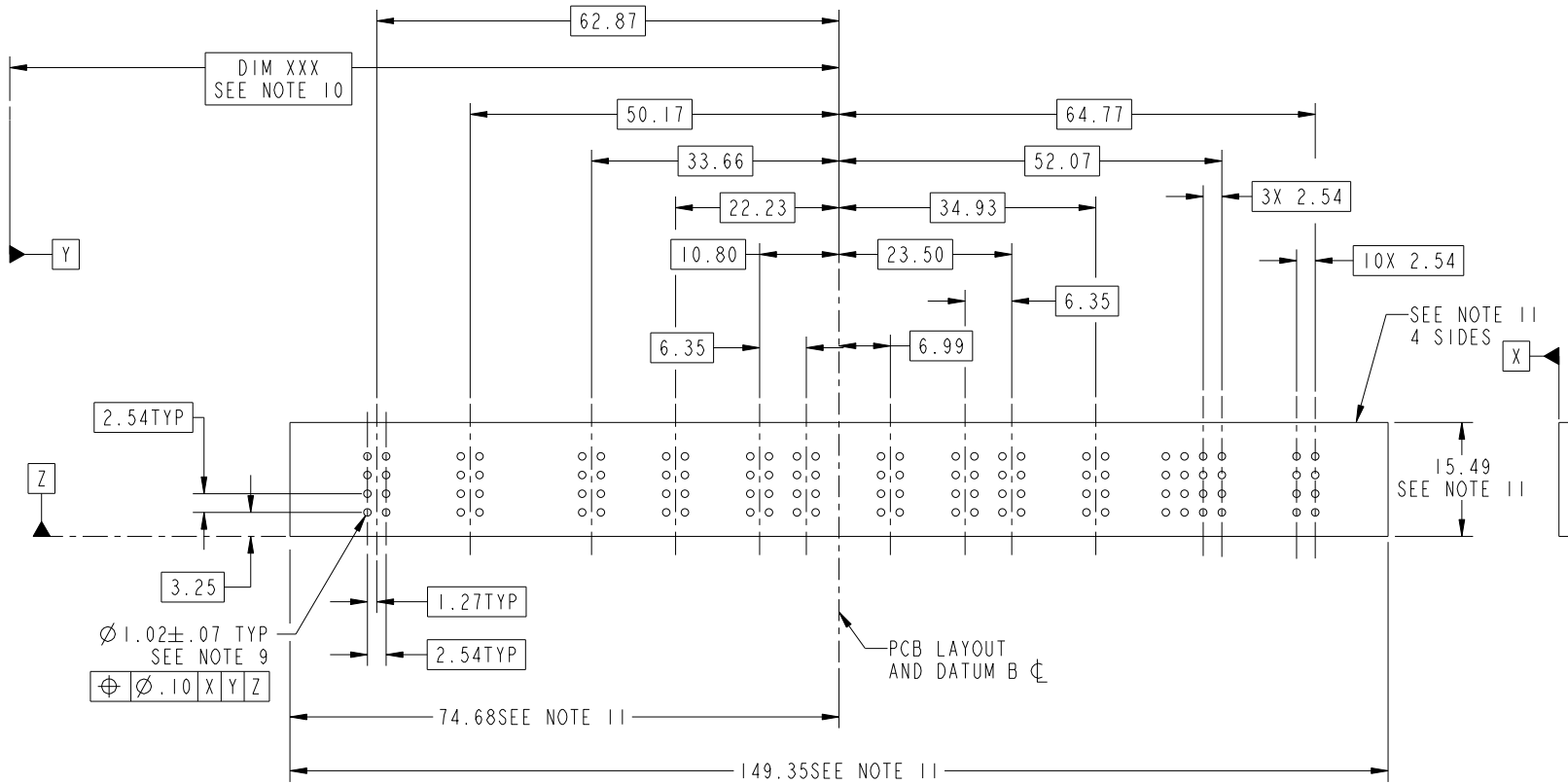
PDM: Rev: C

Tous droits strictement réservés. Reproduction ou communication a des tiers interdite sous quelque forme que ce soit sans autorisation écrite du propriétaire. Propriété de c.FCI. Droits de reproduction FCI.

All rights strictly reserved. Reproduction or issue to third parties in any form whatever is not permitted without written authority from the proprietor. Property of FCI. Copyright FCI.



PRODUCT NUMBER  
51940-082--  
NOTE: 3



RECOMMENDED PCB LAYOUT

mat'l code		SEE NOTE		tolerances unless otherwise specified		CUSTOMER		 www.fciconnect.com	
lfr	ecn no.	dr	date	linear	0.X ±0.5	COPY		title	
C				linear	0.XX ±0.25	projection		44S + 18P	
				angles	0.XXX ±0.10			VERTICAL PRESS-FIT RECEPT	
				dr	0° ±2°			product family	
				enrg	T. BRUNGARD 03/17/04	MM		PwrBlade	
				chr	M. GRAY 03/17/04	scale		code	
				appd	M. GRAY 03/17/04	1:1		213	
sheet index	revision sheet							size	
								dwg no	
								A 51940-082	
								sheet	
								3	

cage code 28556

Pro/E

PDM: Rev: C

STATUS: Released

Printed: Dec 20, 2010

Tous droits strictement réservés. Reproduction ou communication a des tiers interdite sous quelque forme que ce soit sans autorisation écrite du propriétaire. Propriété de c.FCI. Droits de reproduction FCI.

All rights strictly reserved. Reproduction or issue to third parties in any form whatever is not permitted without written authority from the proprietor. Property of FCI. Copyright FCI.



1 | 2

3

4

PRODUCT NUMBER

51940-082\_\_  
NOTE: 3

NOTES:

1. DIMENSIONS AND TOLERANCES ARE IN ACCORDANCE WITH ASME Y14.5M, 1994 UNLESS OTHERWISE SPECIFIED.

CONNECTOR NOTES:

- 2 HOUSING MATERIAL: UL 94 V-0 GLASS FILLED HIGH-TEMP THERMOPLASTIC  
POWER CONTACT MATERIAL: COPPER ALLOY  
SIGNAL PIN MATERIAL: COPPER ALLOY
  - 3 PLATING:  
SEE ITEM 7 & 8 IN PRINT 10064183 FOR PLATING SPEC OF 51940-082; 51940-082LF RESPECTIVELY.
  - 4 MANUFACTURER'S NAME, P/N, AND DATE CODE TO APPEAR ON THIS SURFACE.
  - 5. PRODUCT SPECIFICATION GS-12-149.  
APPLICATION SPECIFICATION BUS-20-067.
  - 6. PACKAGED IN TRAYS.
- PCB NOTES:
- 7. ALL HOLE DIAMETERS ARE FINISHED HOLE SIZE.
  - 8 MOUNTING HOLES, WHERE APPLICABLE, ARE UNPLATED.
  - 9  $\varnothing 1.151 \pm 0.025$  DRILLED HOLES PLATED WITH  
0.008 MIN SnPb OR Sn OVER 0.03  
TO 0.08 Cu PLATING TO ACHIEVE  
 $\varnothing 1.02 \pm 0.07$  HOLE.
  - 10 "DIM XXX" TO BE DETERMINED BY THE CUSTOMER.
  - 11 CONNECTOR KEEP-OUT ZONE.

- 12. A  $\Delta$  SYMBOL WILL BE NEXT TO ANY DIMENSION, VIEW, OR NOTE WHICH HAS BEEN MODIFIED WITH THE CURRENT DRAWING REVISION.
- 13. THE VOID CORING IN BETWEEN POWER MODULES, SIGNAL MODULES AND END MODULES ARE OPTIONAL AND THE SHAPE MAY BE DIFFERENT FOR OPTIMIZING THE MOLDING PROCESS. THE VOID CORING WILL NOT EFFECT TO PRODUCT FUNCTION.

mat'l code		SEE NOTE		tolerances unless otherwise specified		CUSTOMER		 www.fciconnect.com	
lir	ecn no.	dr	date	linear	0.X ±0.5		COPY		
C					0.XX ±0.25		projection		
					0.XXX ±0.10				
				angles	0° ±2°				
				dr	T. BRUNGARD	03/17/04			
				enrg	M. GRAY	03/17/04	product family PwrBlade code 213		
				chr	M. GRAY	03/17/04	size dwg no 51940-082 sheet 4		
				appd	M. GRAY	03/17/04	A		
sheet index	revision sheet						scale 1:1		

A

A

B

B

1 | 2

Pro/E

PDM: Rev: C

STATUS: Released

Printed: Dec 20, 2010

cage code 2856