

**PLEASE CHECK WWW.MOLEX.COM FOR LATEST PART INFORMATION**

**Part Number:** [62203-0455](#)

**Status:** **Active**

**Description:** Removal Tool

**Documents:**

[RoHS Certificate of Compliance \(PDF\)](#)

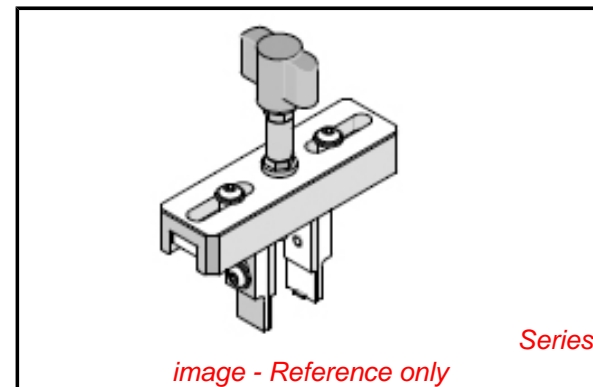
**General**

Product Family	Application Tooling
Series	<a href="#">T3002</a>
Comments	See Tooling Specification (PDF) Above
Function	Extraction
Geographic Area	Global
Level of Automation	Manual
More Detailed Tech Information	<a href="mailto:applicationtooling@molex.com">applicationtooling@molex.com</a>
Product Name	N/A
Survey	<a href="http://www.molex.com//review/apptool_survey.html">www.molex.com//review/apptool_survey.html</a>
Tool Type	Handtool
UPC	884982694736

**Material Info**

**Reference - Drawing Numbers**

Application Tooling Documents	ATS-622030455
-------------------------------	---------------



<b>EU RoHS</b>	<b>China RoHS</b>
----------------	-------------------

**Compliance Status**

**Not Reviewed**

**REACH SVHC**

**Not Reviewed**

**Low-Halogen Status**

**Not Reviewed**

**Need more information on product environmental compliance?**

Email [productcompliance@molex.com](mailto:productcompliance@molex.com)  
For a multiple part number RoHS Certificate of Compliance, [click here](#)

Please visit the [Contact Us](#) section for any non-product compliance questions.

**Search Parts in this Series**

[T3002Series](#)

**Use With**

[44914](#) 3.00mm Pitch Micro-Fit 3.0 CPI™  
Compliant Pin Header

<b>Application Tooling</b>	<b>FAQ</b>
<b>Description</b>	<b>Product #</b>

3.00mm Pitch Micro-Fit 3.0 CPI™ Header, Compliant Pin Interface, Dual Row, Vertical, 2 Circuits, Tin (Sn) Plating, Glow Wire Compatible	0449140201
3.00mm Pitch Micro-Fit 3.0 CPI™ Header, Compliant Pin Interface, Dual Row, Vertical, 4 Circuits, Tin (Sn) Plating, Glow Wire Compatible	0449140401

3.00mm Pitch Micro-Fit 3.0 CPI™ Header, Compliant Pin Interface, Dual Row, Vertical, 6 Circuits, Tin (Sn) Plating, Glow Wire Compatible	0449140601
3.00mm Pitch Micro-Fit 3.0 CPI™ Header, Compliant Pin Interface, Dual Row, Vertical, 8 Circuits, Tin (Sn) Plating, Glow Wire Compatible	0449140801
3.00mm Pitch Micro-Fit 3.0 CPI™ Header, Compliant Pin Interface, Dual Row, Vertical, 10 Circuits, Tin (Sn) Plating, Glow Wire Compatible	0449141001
3.00mm Pitch Micro-Fit 3.0 CPI™ Header, Compliant Pin Interface, Dual Row, Vertical, 12 Circuits, Tin (Sn) Plating, Glow Wire Compatible	0449141201
3.00mm Pitch Micro-Fit 3.0 CPI™ Header, Compliant Pin Interface, Dual Row, Vertical, 14 Circuits, Tin (Sn) Plating, Glow Wire Compatible	0449141401
3.00mm Pitch Micro-Fit 3.0 CPI™ Header, Compliant Pin Interface, Dual Row, Vertical, 16 Circuits, Tin (Sn) Plating, Glow Wire Compatible	0449141601
3.00mm Pitch Micro-Fit 3.0 CPI™ Header, Compliant Pin Interface, Dual Row, Vertical, 18 Circuits, Tin (Sn) Plating, Glow Wire Compatible	0449141801
3.00mm Pitch Micro-Fit 3.0 CPI™ Header, Compliant Pin Interface, Dual Row, Vertical, 20 Circuits, Tin (Sn) Plating, Glow Wire Compatible	0449142001

3.00mm Pitch Micro-Fit 3.0 CPI™ Header, Compliant Pin Interface, Dual Row, Vertical, 22 Circuits, Tin (Sn) Plating, Glow Wire Compatible	0449142201
3.00mm Pitch Micro-Fit 3.0 CPI™ Header, Compliant Pin Interface, Dual Row, Vertical, 24 Circuits, Tin (Sn) Plating, Glow Wire Compatible	0449142401
3.00mm Pitch Micro-Fit 3.0 CPI™ Header, Dual Row, Vertical, Compliant Pin Interface, 6 Circuits, LCP, Glass- Filled, UL 94V-0, 0.38µm Gold (Au) Selective Contact Plating, Tin (Sn) Plated Tails, Glow Wire Compatible	0449145602
3.00mm Pitch Micro-Fit 3.0 CPI™ Header, Dual Row, Vertical, Compliant Pin Interface, 20 Circuits, LCP, Glass- Filled, UL 94V-0, 0.76µm Gold (Au) Selective Contact Plating, Tin (Sn) Plated Tails, Glow Wire Compatible	0449147003
3.00mm Pitch Micro-Fit 3.0 CPI™ Header, Dual Row, Vertical, Compliant Pin Interface, 24 Circuits, LCP, Glass- Filled, UL 94V-0, 0.38µm Gold (Au) Selective Contact Plating, Tin (Sn) Plated Tails, Glow Wire Compatible	0449147402

This document was generated on 03/08/2013

**PLEASE CHECK [WWW.MOLEX.COM](http://WWW.MOLEX.COM) FOR LATEST PART INFORMATION**