

INTERCONNECTS

SERIES 340 & 399 • 1,27 AND 2,54 GRID SURFACE MOUNT HEADERS & SOCKETS • SINGLE ROW STRIPS

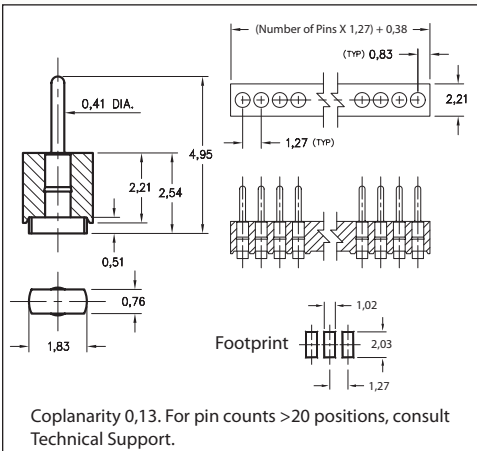


FIG. 1

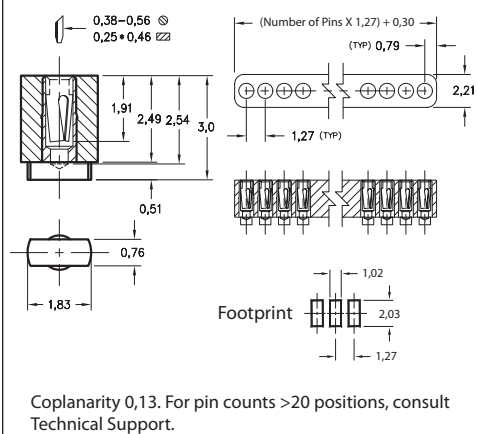


FIG. 2

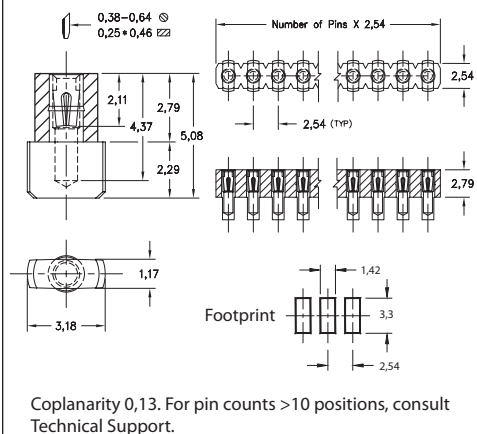


FIG. 3

- Series 340 and 399 interconnects are single row headers & sockets having unique surface mount "block" terminals
- "Block" termination makes the interconnects "self standing". This also minimizes profile and reduces the footprint compared with traditional "gullwing" designs
- Series 399 is a matched pair of 1,27 pitch sockets and headers with a mated height of only 5,54
- Series 340 is a 2,54 pitch SIP socket using a Hi-Rel, 4-finger BeCu #30 contact rated at 3 amps. See page 253 for details
- Insulators are high temperature thermoplastic, suitable for all soldering processes



ORDERING INFORMATION

FIG. 1	Series 399...310	Single Row 1,27 Grid Header			
		399-10-0-00-310000			
	Specify number of pins	02-50			
	RoHS-2 2011/65/EU	XX=Plating Code See Below		For Electrical, Mechanical & Environmental Data, See page 264	
	SPECIFY PLATING CODE XX=	10			
	Pin Plating	0,25µm Au			
FIG. 2	Series 399...300	Single Row 1,27 Grid Socket			
		399-XX-0-21-300000			
	Specify number of pins	02-50			
	RoHS-2 2011/65/EU	XX=Plating Code See Below		For Electrical, Mechanical & Environmental Data, See page 264	
	SPECIFY PLATING CODE XX=		91	41	
	Sleeve (Pin)	5,08µm Sn/Pb		5,08µm Sn	
	Contact (Clip)	0,25µm Au		0,25µm Au	
FIG. 3	Series 340...780	Single Row 2,54 Grid Socket			
		340-XX-1-30-780100			
	Specify number of pins	02-64			
	RoHS-2 2011/65/EU	XX=Plating Code See Below		For Electrical, Mechanical & Environmental Data, See page 264	
	SPECIFY PLATING CODE XX=			99	44
	Sleeve (Pin)			5,08µm Sn/Pb	5,08µm Sn
	Contact (Clip)			2,54µm Sn/Pb	2,54µm Sn