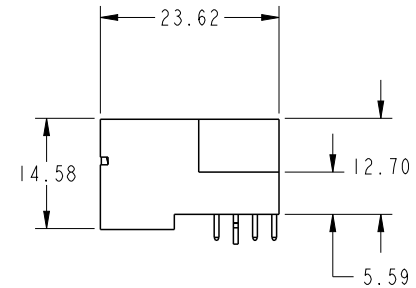
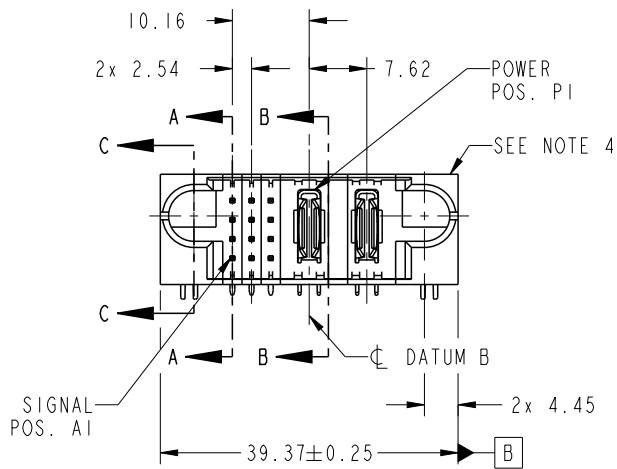


PRODUCT NO.	ROWS	SIGNALPOWER					
		E1	1	2	3	P1	P2
51939-807-- NOTE 3	D C B A						



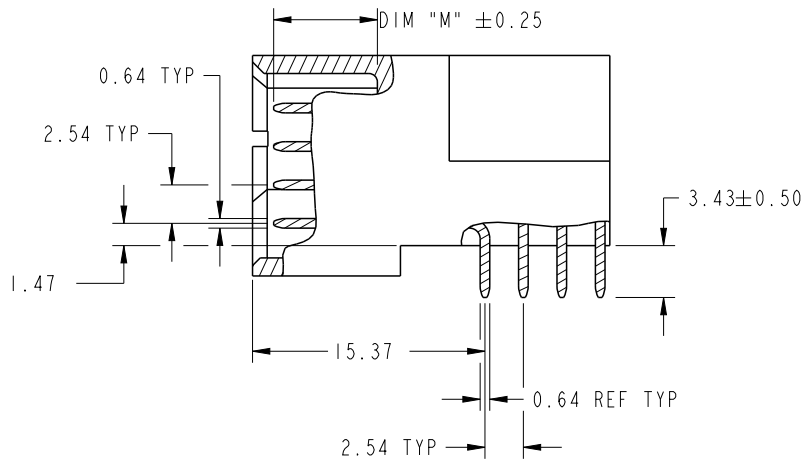
CODE	DIM "M" MATING LENGTH	CONTACT TYPE
U	[6.86]	SIGNAL
T	[6.86]	SIGNAL
S	[6.86]	SIGNAL
R	[6.86]	SIGNAL
PA	[N/A]	POWER
HA	[N/A]	HOLD-DOWN

spec ref	*	dr	Jackie Huang	2013/09/11	projection	MM	size	A4	scale	1:1	
tolerance std	ASME Y14.5	eng	Jackie Huang	2013/09/18			ecn no	-			
TOLERANCES UNLESS OTHERWISE SPECIFIED		chr	-	-	product family						
surface	✓	appr	Pei-Ming Zheng	2013/09/18	www.fci.com		title	12S+2ACP		rev	A
ASME Y14.5	linear						cat. no.	-	Product - Customer Drw	sheet 1 of 4	
	angular										

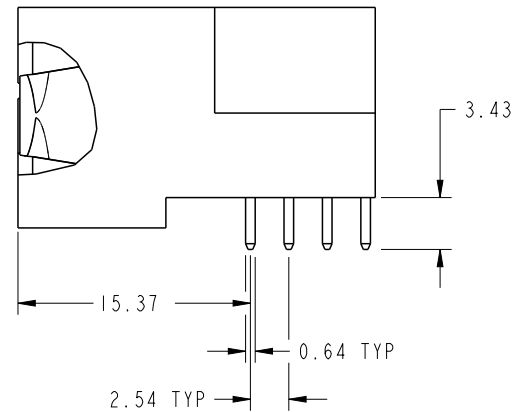
PrdE File - REV C - 2009-06-09

PRODUCT NUMBER

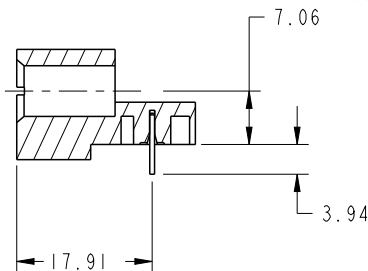
51939-807--  
NOTE: 3



BROKEN-OUT SECTION A-A  
SCALE 2:1



BROKEN-OUT SECTION B-B  
SCALE 2:1

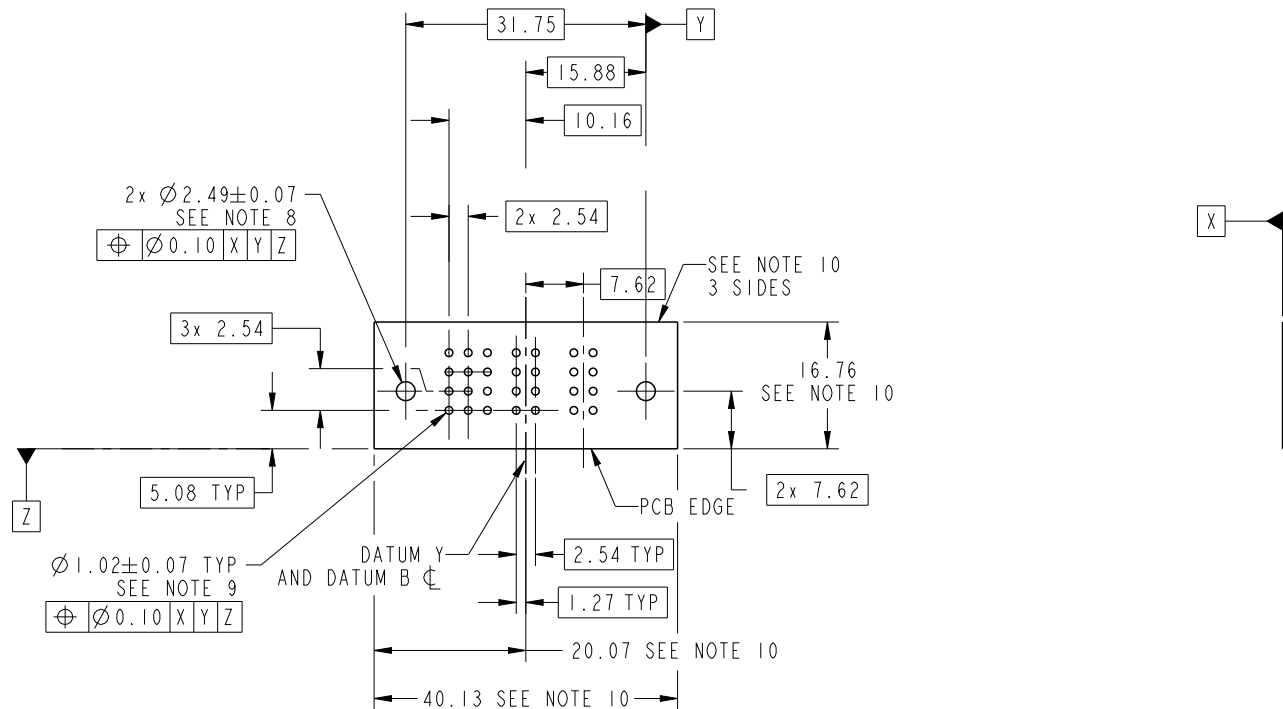


SECTION C-C

dr	Jackie Huang	2013/09/11	projection 	MM 	size	A4	scale	1:1
eng	Jackie Huang	2013/09/18			ecn no	-		
chr	-	-			rel level	Released		
appr	Pei-Ming Zheng	2013/09/18	product family	PwrBlade	rev	A		
		title 12S+2ACP RIGHT ANGLE STB HEADER	dwg no 51939-807	cat. no. -	Product - Customer Drw	sheet 2 of 4		

PRODUCT NUMBER

51939-807--  
NOTE: 3



RECOMMENDED PCB LAYOUT

dr	Jackie Huang	2013/09/11	projection 	MM 	size	A4	scale	1:1
eng	Jackie Huang	2013/09/18			ecn no	-		
chr	-	-			rel level	Released		
appr	Pei-Ming Zheng	2013/09/18	product family	PwrBlade				
	title	12S+2ACP RIGHT ANGLE STB HEADER		dwg no	51939-807		rev	A
www.fci.com	cat. no.	-	Product - Customer Drw		sheet 3 of 4			

PRODUCT NUMBER

51939-807--  
NOTE: 3

NOTES:

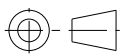
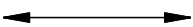

1. DIMENSIONS AND TOLERANCES ARE IN ACCORDANCE WITH ASME Y14.5M, 1994 UNLESS OTHERWISE SPECIFIED.

CONNECTOR NOTES:

- 2. HOUSING MATERIAL: UL 94 V-0 GLASS FILLED HIGH-TEMP THERMOPLASTIC  
POWER CONTACT MATERIAL: COPPER ALLOY  
SIGNAL PIN MATERIAL: COPPER ALLOY
- 3. SEE ITEM 1 & 2 IN PRINT 10064183 FOR PLATING SPEC OF 51939-807 AND 51939-807LF RESPECTIVELY.
- 4. MANUFACTURER'S NAME, DATE CODE AND OPTIONAL P/N TO APPEAR ON THIS SURFACE. THE MARK CAN BE OMITTED IF THERE IS NOT ENOUGH SPACE ON THIS SURFACE.
- 5. PRODUCT SPECIFICATION GS-12-149.  
APPLICATION SPECIFICATION BUS-20-067.
- 6. PACKAGED IN TRAYS.

PCB NOTES:

- 7. ALL HOLE DIAMETERS ARE FINISHED HOLE SIZE.
- 8. MOUNTING HOLES, WHERE APPLICABLE, ARE UNPLATED.
- 9.  $\varnothing 1.151 \pm 0.025$  DRILLED HOLES PLATED WITH  
0.008 MIN SnPb OR Sn OVER 0.03  
TO 0.08 Cu PLATING TO ACHIEVE  
 $\varnothing 1.02 \pm 0.07$  HOLE.
- 10. CONNECTOR KEEP-OUT ZONE.

dr	Jackie Huang	2013/09/11	projection 	MM 	size	A4	scale	1:1			
eng	Jackie Huang	2013/09/18			ecn no	-					
chr	-	-			product family	PwrBlade	rel level	Released			
appr	Pei-Ming Zheng	2013/09/18			title	12S+2ACP RIGHT ANGLE STB HEADER		dwg no	51939-807	rev	A
www.fci.com		cat. no.	-	Product - Customer Drw			sheet 4 of 4				



Copyright FCI.