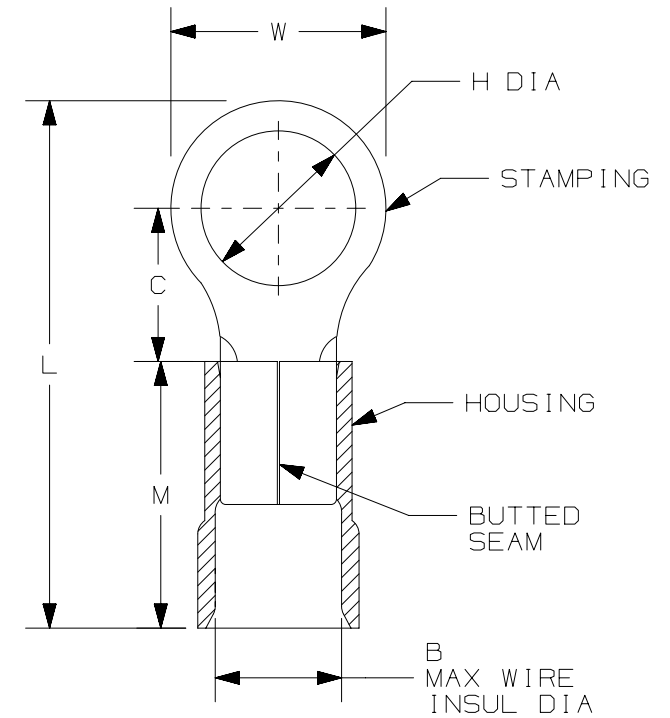


THIS COPY IS PROVIDED ON A RESTRICTED BASIS AND IS NOT TO BE USED IN ANY WAY DETRIMENTAL TO THE INTERESTS OF PANDUIT CORP.

PANDUIT PART NUMBER	WIRE SIZE AWG [mm ²]	STUD SIZE		HOUSING COLOR	DIMENSIONS - in. [mm]						WIRE STRIP LENGTH in [mm] +1/32 [0,8] -0	TOOLS
		ENGLISH	METRIC		L± .04 [1,1]	W± .01 [0,3]	C± .01 [0,3]	M± .02 [0,6]	H ⁺ .02 [0,4] -0	B		
EV14-38RB	#16-14 [1.5-2.5]	3/8"	M10	BLUE	1.20 [30.5]	0.54 [13.6]	0.55 [13.9]	0.39 [10.0]	0.41 [10.5]	.165 [4.2]	9/32" [6.8]	KST2000A
EV10-12RB	#12-10 [4.0-6.0]	1/2"	M12	YELLOW	1.52 [38.6]	0.76 [19.2]	0.63 [16.0]	0.51 [13.0]	0.51 [13.0]	.240 [6.1]	11/32" [8.8]	

NOTES:

- UL LISTED FOR:
 - STRANDED COPPER WIRE ONLY
 - 221°F (105°C) MAX TEMP RATING
 - 600V MAX VOLTAGE RATING
- MATERIAL:
 - STAMPING - COPPER, TIN PLATED
EV14-38RB: .031" [0.8] THICK
EV10-12RB: .039" [1.0] THICK
 - HOUSING - VINYL
- SEE WWW.PANDUIT.COM FOR PACKAGE QUANTITIES
- DIMENSIONS IN BRACKETS ARE METRIC EQUIVALENT



TITLE		STRONGHOLD RING TERMINALS VINYL INSULATED, BUTTED SEAM #16-10 AWG CUSTOMER DRAWING		
ITEM REVISION NAME		00123SS0/00		
DATASET FILE NAME		00123SS0_DC/00		
UNLESS OTHERWISE SPECIFIED, DIMENSIONAL TOLERANCES ARE: IN [mm]		MATERIAL: PANDUIT SEE NOTES		
.x ± .1 [2.54] .xx ± .01 [2.54]		.xxx ± .005 [0.13] ANGLES ± 5°		
DRAWN BY FES		DATE -		CHK LCA
SCALE N.T.S.		DRAWING NUMBER: 00123SS0-DC		
REV		DATE		BY
DESCRIPTION		ECN		
SHEET 1 OF 1		SIZE A		

00	2/18	JHNU	TMR	RGB	DRAWING RELEASED	00123SS
REV	DATE	BY	CHK	APR	DESCRIPTION	ECN

D101000DA/12