



# PRODUCT DATASHEET ANGELA series

last update 3/11/2016

## DETAILS

<b>Product Number</b>	FCN13571_ANGELA-W
<b>Family</b>	ANGELA
<b>Type</b>	RefPack
<b>Color</b>	metal
<b>Diameter</b>	119,5 mm
<b>Height</b>	80,2 mm
<b>Style</b>	round
<b>Optic Material</b>	
<b>Holder Material</b>	
<b>Fastening</b>	screw
<b>Status</b>	production ready
<b>ROHS Compliant</b>	Yes
<b>Date Updated</b>	3/11/2016

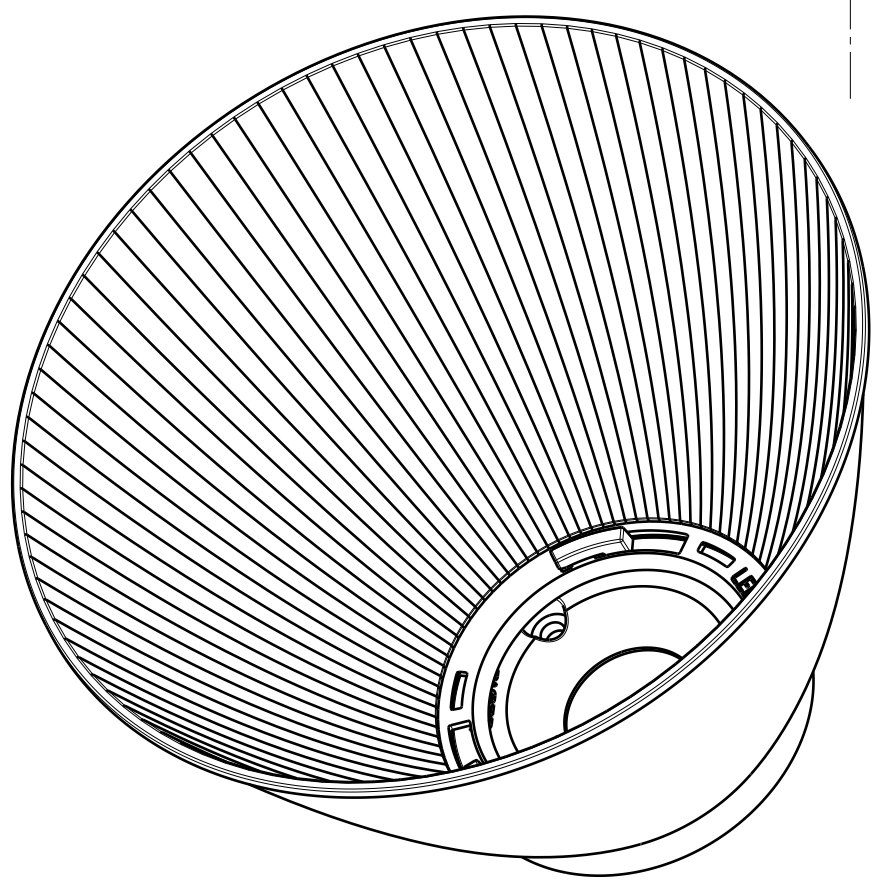
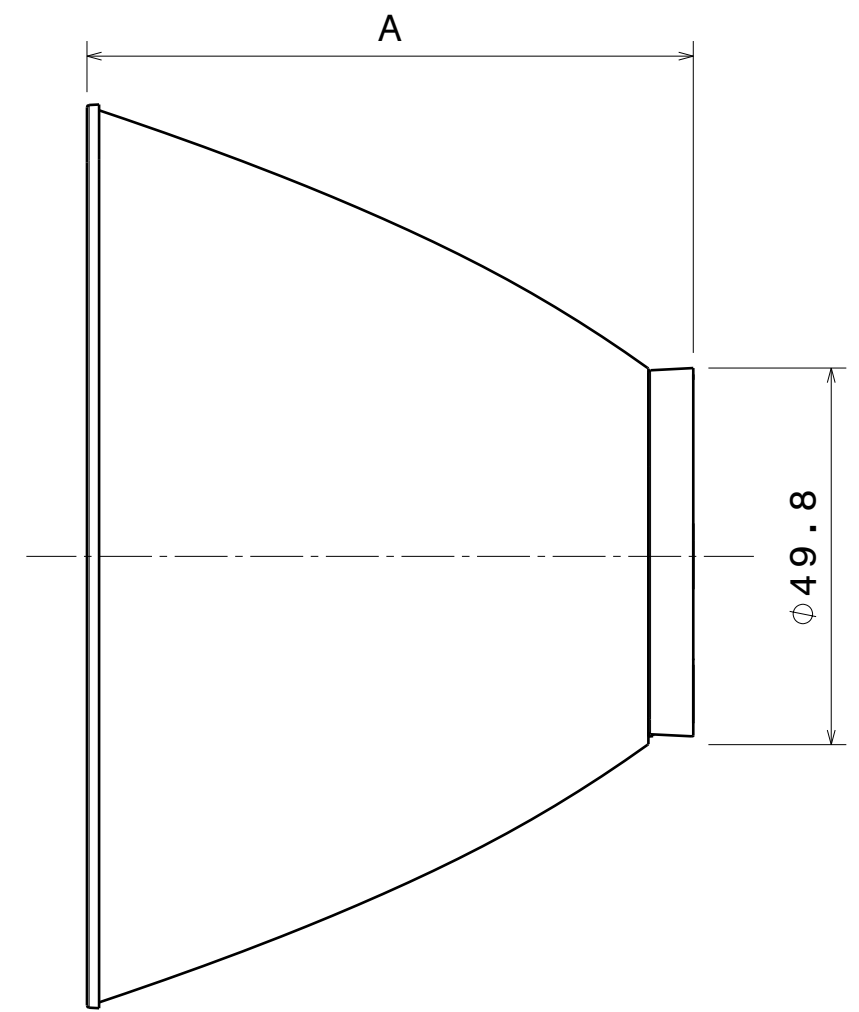
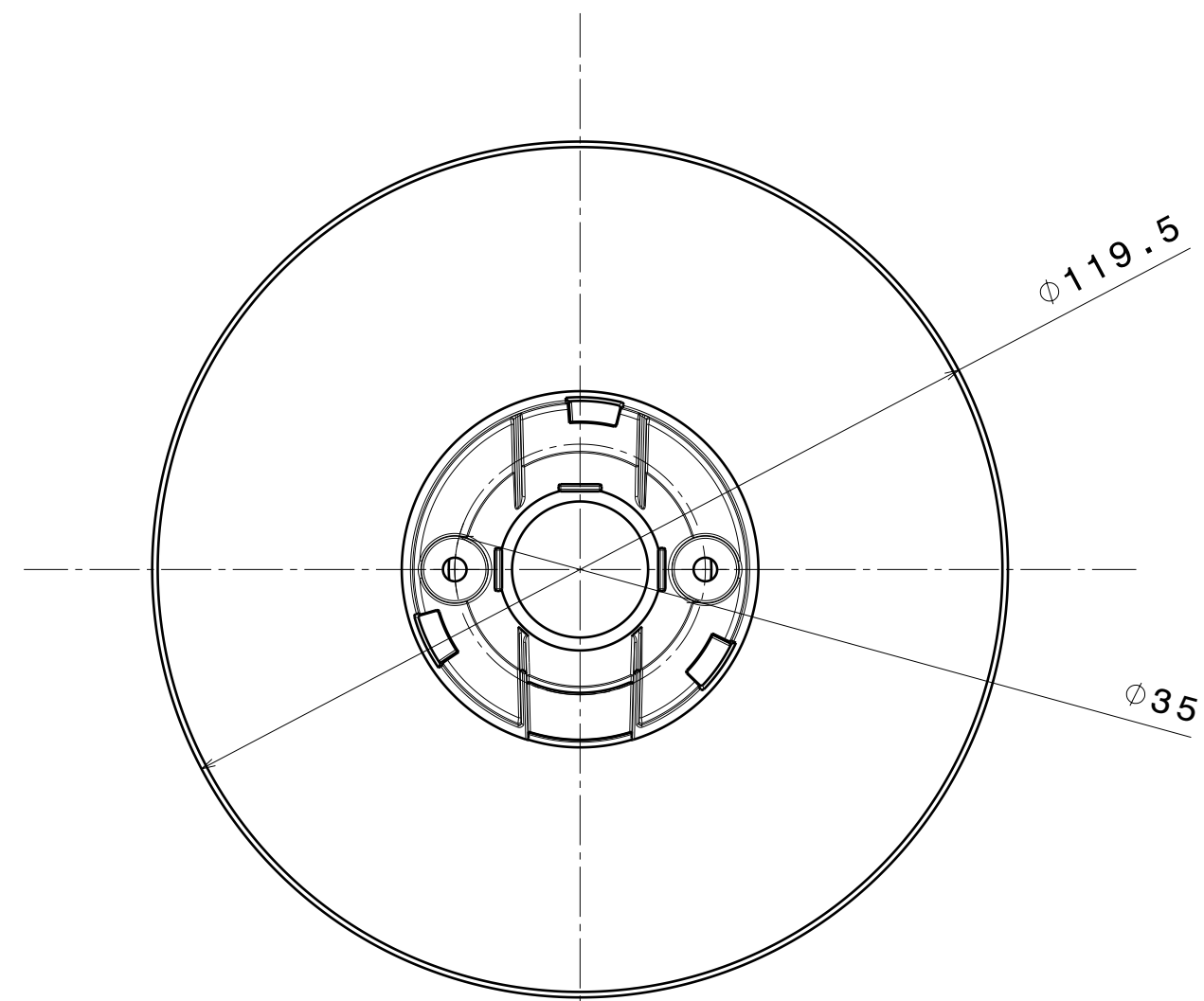


## OPTICAL PROPERTIES

LED	Viewing Angle	Light Beam	Effi- ciency	cd/lm	Connector
LUXEON S2000	34 deg	Wide	84 %	1.900	LEDiL: LEDiL

H G F E D C B A

4  
3  
2  
1



	DIMENSION A
WITH LEDIL LUXEON S SOCKETS	80.5 mm
WITH TYCO SOCKET	80.5 mm
WITH LEDIL BRIDGELUX VERO SOCKETS	79.5 mm

Tolerances if not otherwise shown  
 According to DIN ISO 2768-1  
 Linear measures:  
 Up to 30mm class M, otherwise class C.  
 According to DIN ISO 2768-2  
 Form and position: class L

**LEDiL** Ledil Oy  
 Salorankatu 10  
 FIN 24240 SALO  
 Finland

THIRD ANGLE PROJECTION:

DRAWING TITLE  
**DATA SHEET ANGELA**

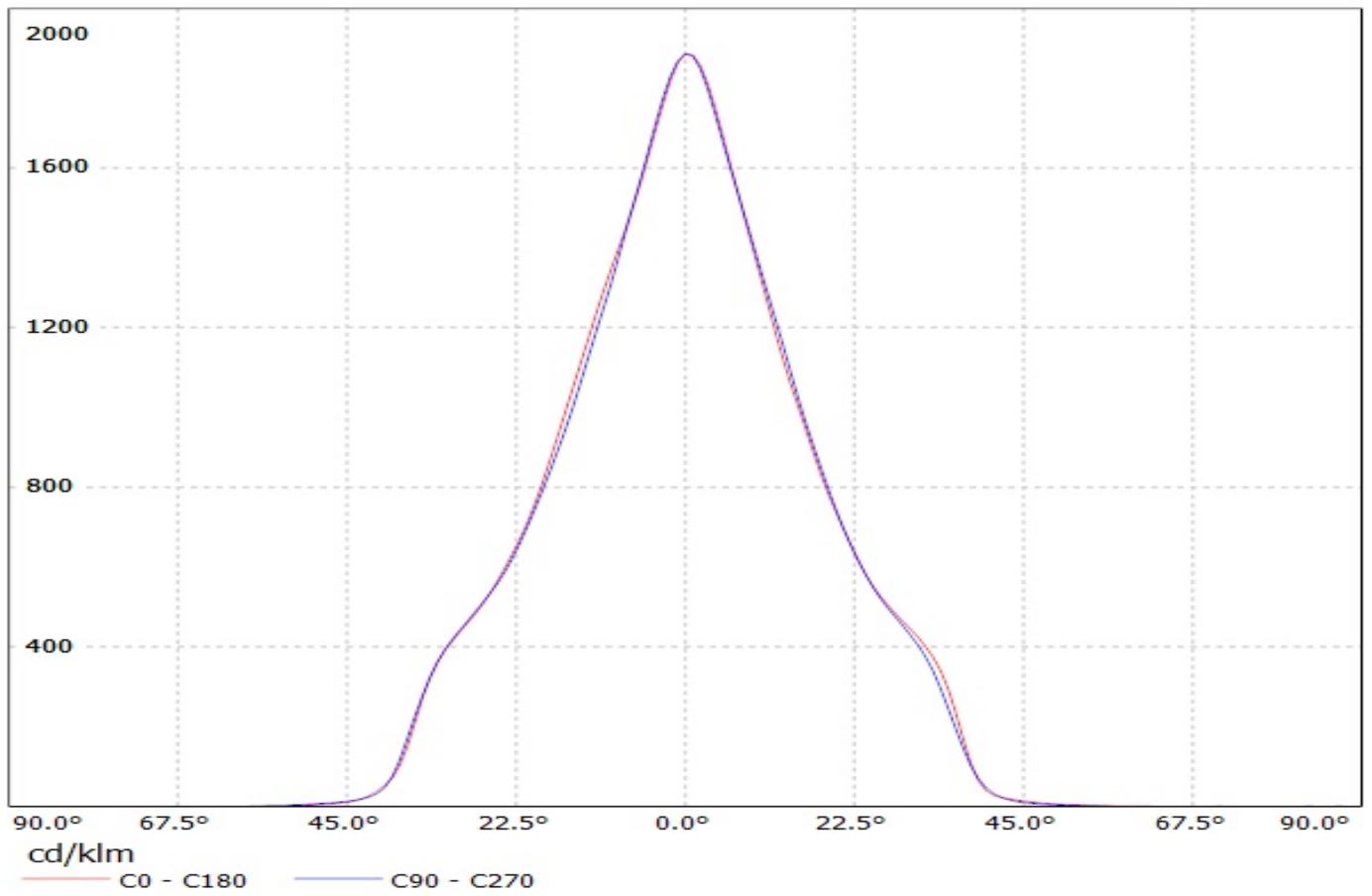
This drawing is the property of LEDiL Oy. It may not be reproduced, copied or communicated without a written agreement with LEDiL Oy."

SIZE	PART NUMBER
A3	-

SCALE	1:1	WEIGHT	-	SHEET	1/1
-------	-----	--------	---	-------	-----

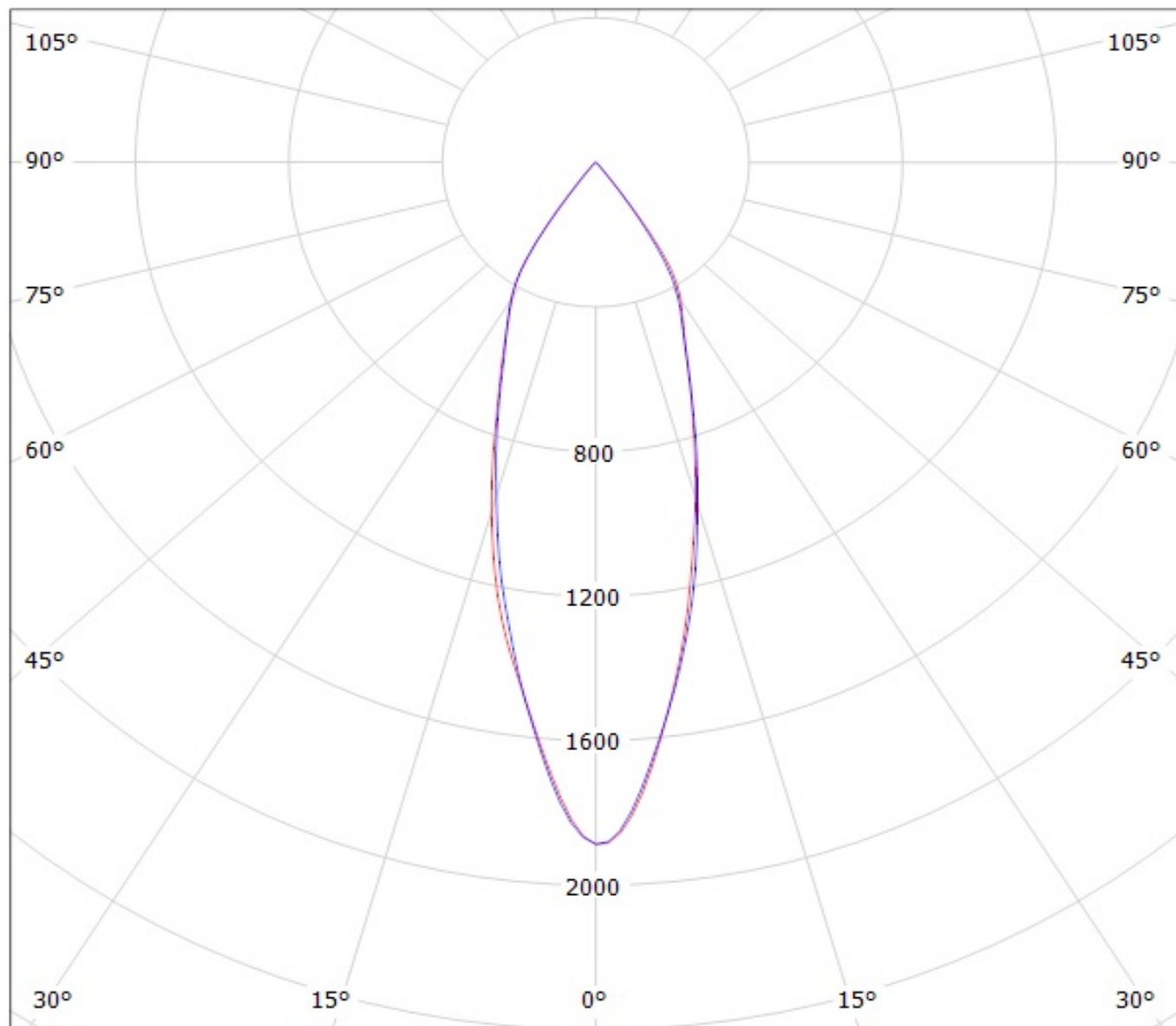
H G B A

Luminaire: LEDil Oy FCN13571\_ANGELA-W (Luxeon\_S2000) Efficiency=84%  
Lamps: 1 x Philips Lumileds Luxeon S2000 (LXS8-PW30-0017) 442lm @ 100mA P=4.6W I=100mA



Luminaire: LEDil Oy FCN13571\_ANGELA-W\_(Luxeon\_S2000) Efficiency=84%

Lamps: 1 x Philips Lumileds Luxeon S2000 (LXS8-PW30-0017) 442lm @ 100mA P=4.6W I=100mA



cd/klm

— C0 - C180

— C90 - C270

**NOTE: The typical divergence will be changed by different color, chip size and chip position tolerance. The typical total divergence is the full angle measured where the luminous intensity is half of the peak value.**