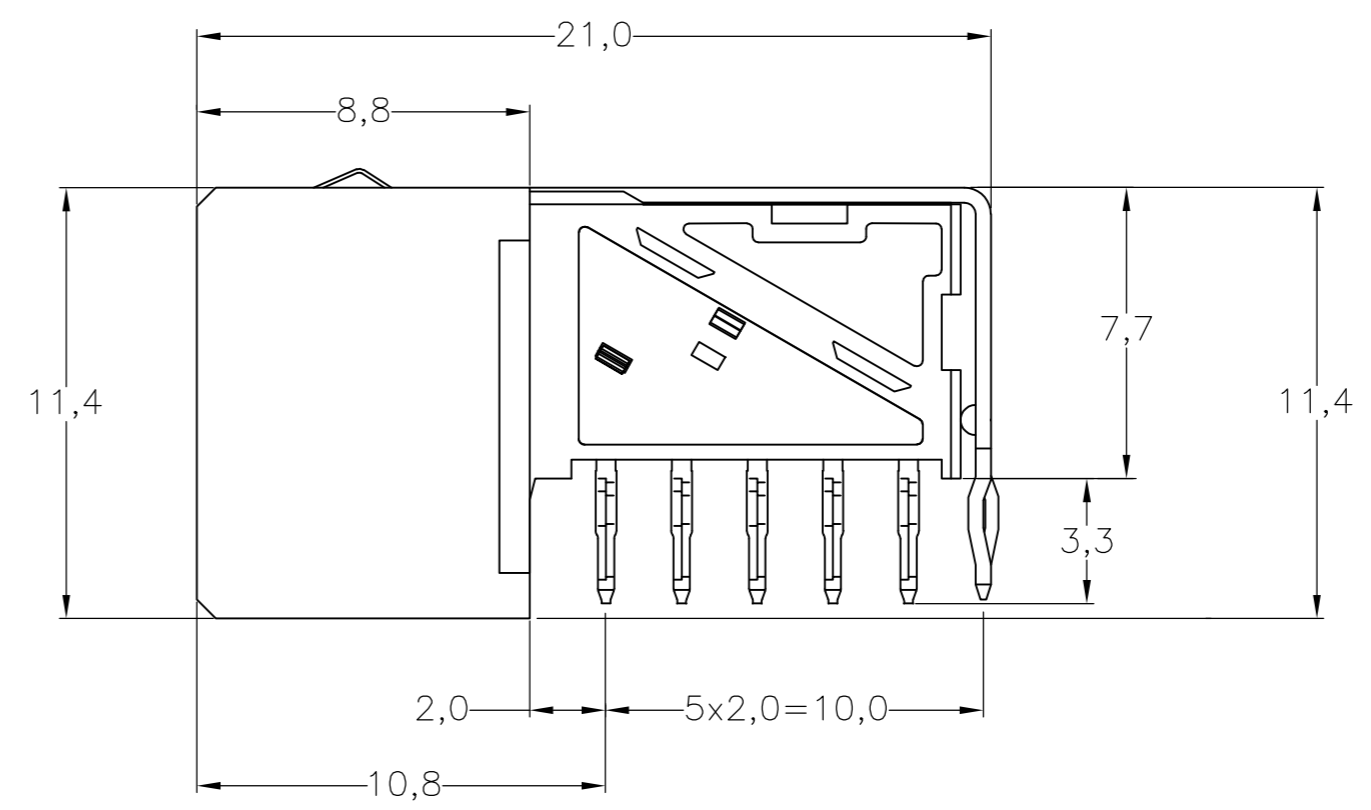
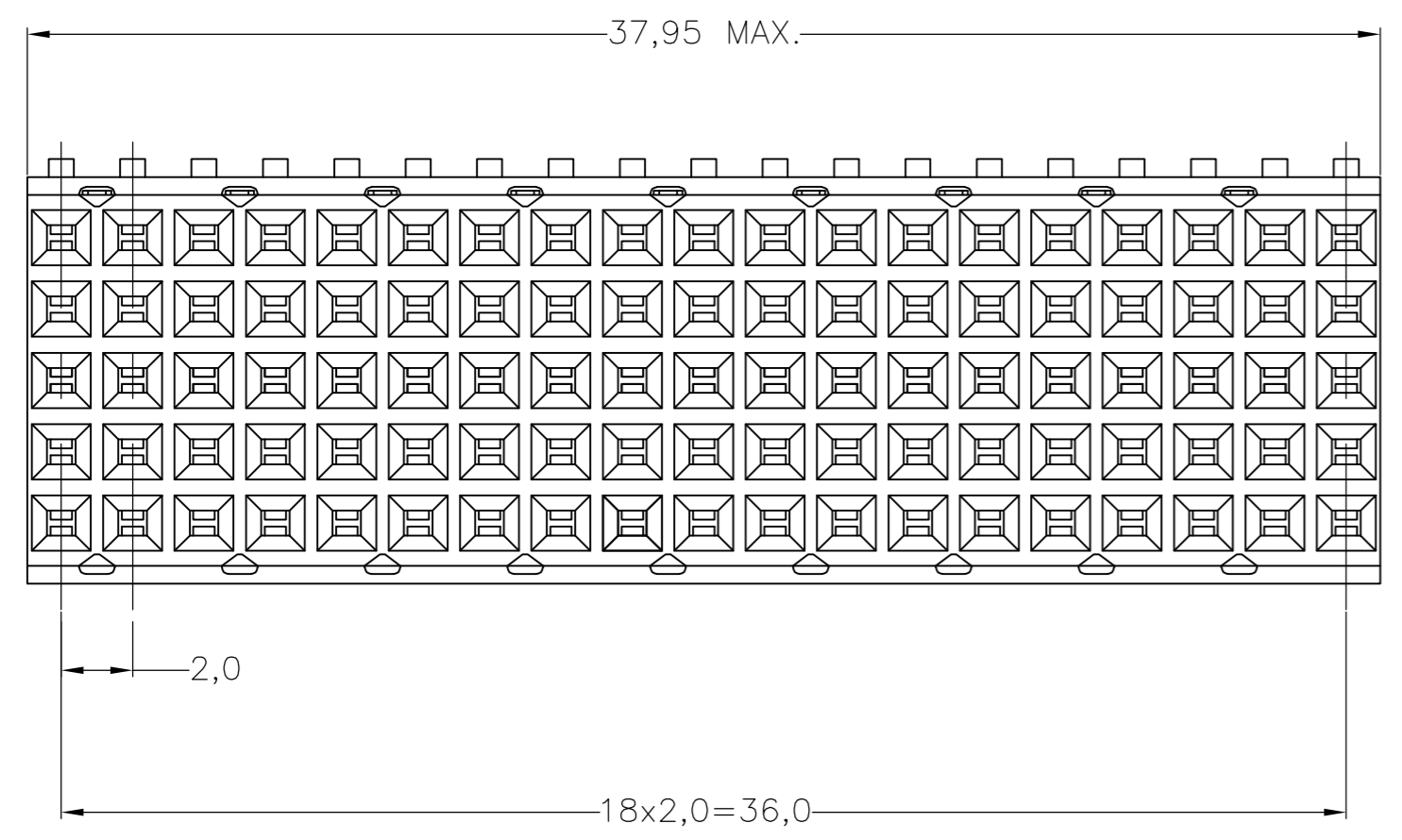
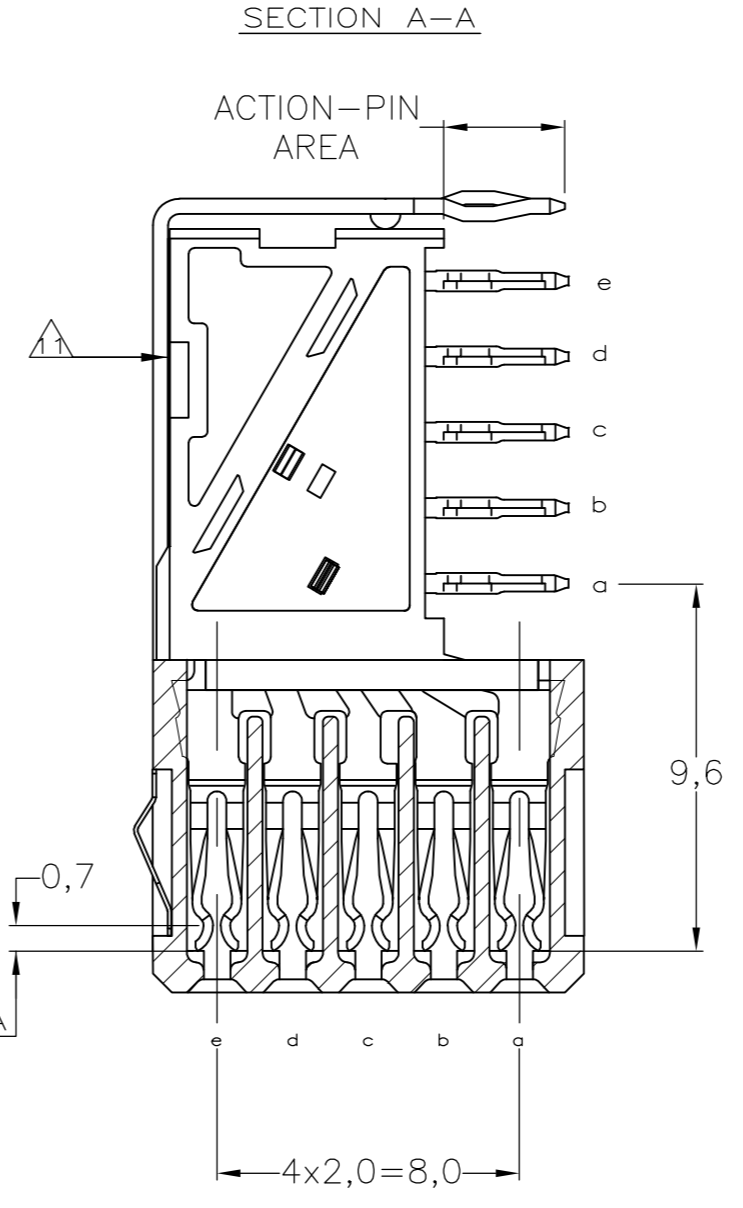
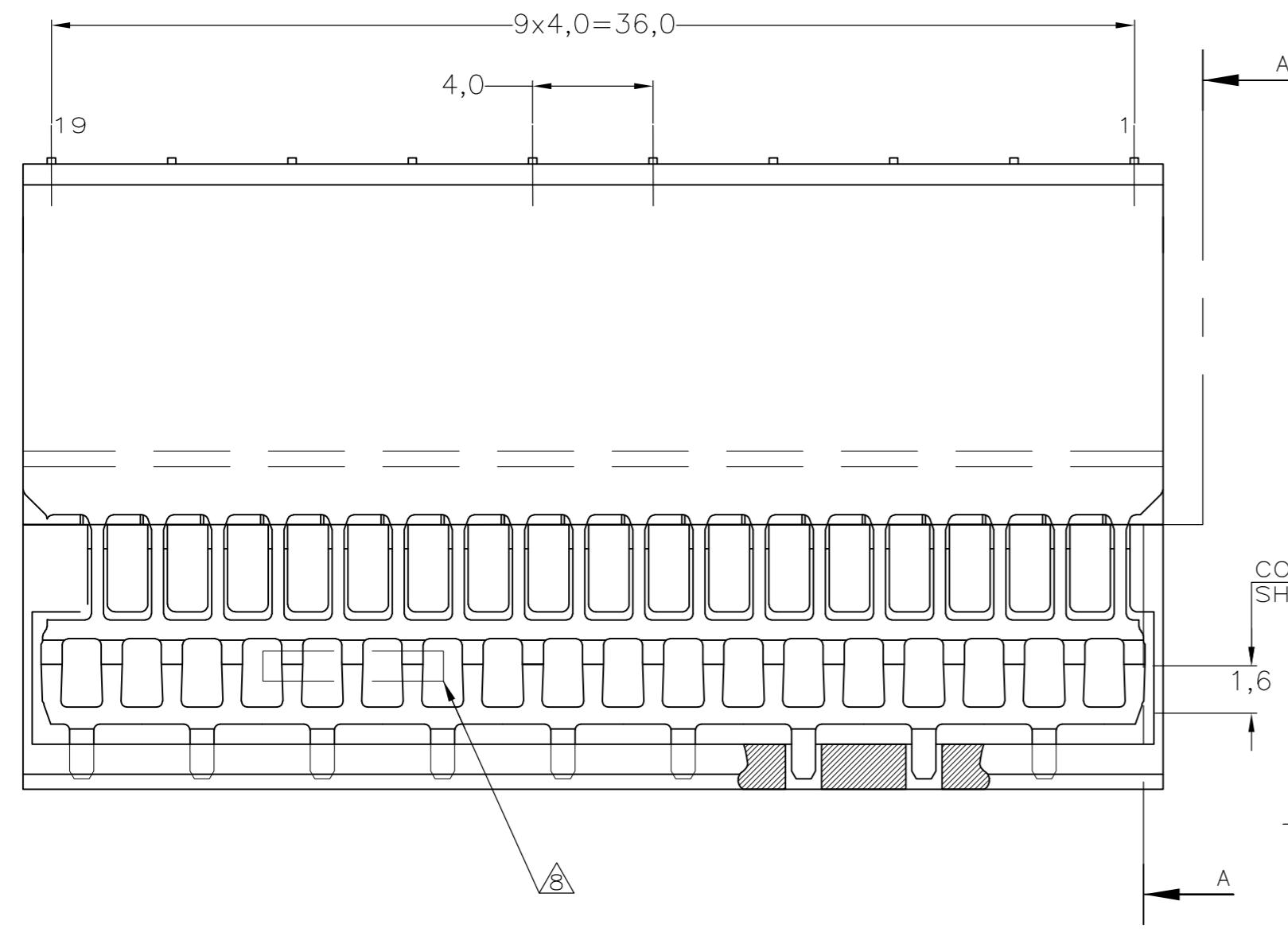


THIS DRAWING IS UNPUBLISHED. RELEASED FOR PUBLICATION
 © COPYRIGHT - By - ALL RIGHTS RESERVED.

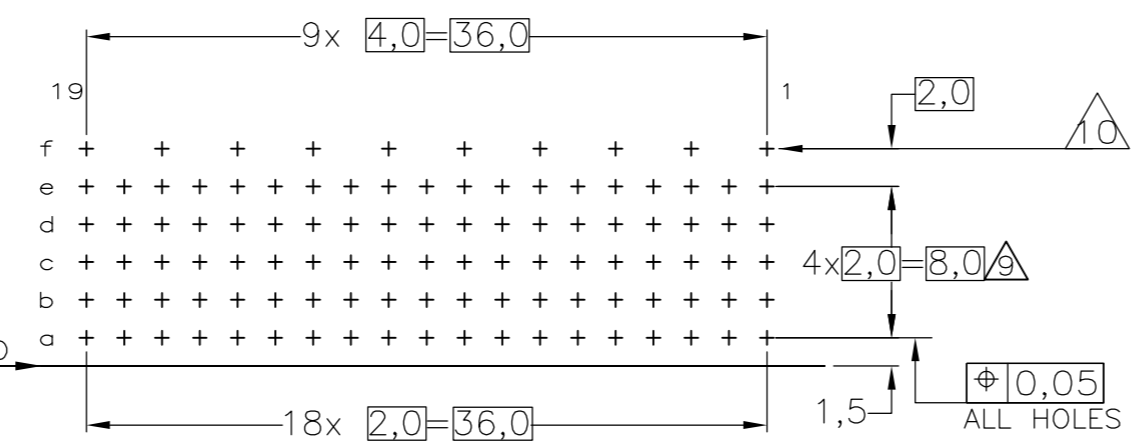
LOC		DIST		REVISIONS			
P	LTR	DESCRIPTION		DATE	DWN	APVD	
	L	REVISED PER ECO-13-014710		08NOV2013	SY	FY	

NOTES:

- △ MATERIAL CONTACTS; PHOSPHORBRONZE
MATERIAL HOUSING; GLASSFILLED POLYESTER (GRAY)
- △ GENERAL PLATING SPECIFICATION: UNDERPLATING (ENTIRE CONTACT): 1,27µm NICKEL MIN. AND ACTION PIN: 0,5µm TIN-LEAD MIN.
FOR PLATING OF MATING SURFACES SEE APPLICABLE SPECIFICATION REFERENCE FOR EACH DASH NUMBER.
- △ CONFORMS TO ALL TESTING ACCORDING IEC 61076-4-101 PERFORMANCE LEVEL 2.
- △ CONFORMS TO ALL TESTING ACCORDING IEC 61076-4-101 PERFORMANCE LEVEL 1.
- △ CONNECTOR TESTED AND QUALIFIED AGAINST TELCORDIA GR-1217-CORE QUALITY LEVEL III, CENTRAL OFFICE APPLICATIONS.
- △ CONNECTOR LUBRICATED WITH TELCORDIA GR-1217-CORE APPROVED LUBRICANT.
- △ ASSEMBLY PRINTED WITH P/N AND DATECODE
THE MARKING CAN APPEAR ON THE FRONT SIDE OR BACK SIDE.
- △ HOLE PATTERN FOR FEMALE CONNECTOR TYPE B-19 COLUMNS
95 PLATED-THROUGH HOLES AT 2x2mm SQUARE GRID
- △ ROW "f" 10 PLATED THROUGH HOLES FOR UPERSHIELD
- △ SHIELD MOUNTED ON CONNECTOR WITH DOUBLE SIDED ADHESIVE TAPE OR ADHESIVE
- 12 BASIC P.N. LOWERSHIELD: 352029
- △ 0.76µm MIN GOLD PLATING AT MATING SURFACES OF SIGNAL.
- △ 1.27µm MIN GOLD PLATING AT MATING SURFACES OF SIGNAL.



COMPONENT SIDE AS SHOWN
 RECOMMENDED PCB-HOLE LAY-OUT
 SCALE 2,5:1



P.C.B. HOLE DIM. ACTION PIN
 FOR DETAILS SEE
 APPLICATION SPECIFICATION

THIS DRAWING IS A CONTROLLED DOCUMENT.		DWN W. V.D. HEIJDEN 28-JAN-97	TE Connectivity	
DIMENSIONS: mm		CHK B. MOOIJ 06-FEB-06	Z-PACK 2MM HM TYPE B - 19 COLUMNS PRE-SHIELDED RECEPTACLE	
TOLERANCES UNLESS OTHERWISE SPECIFIED: ±0.2		APVD J. BROEKSTEEG 06-FEB-06	NAME	
MATERIAL		PRODUCT SPEC 108-19082	SIZE A2	
FINISH		APPLICATION SPEC 114-19029	CAGE CODE 00779	
		WEIGHT	DRAWING NO C=352171	
		CUSTOMER DRAWING		RESTRICTED TO
		SCALE NTS		SHEET 1 of 1
				REV L

352171