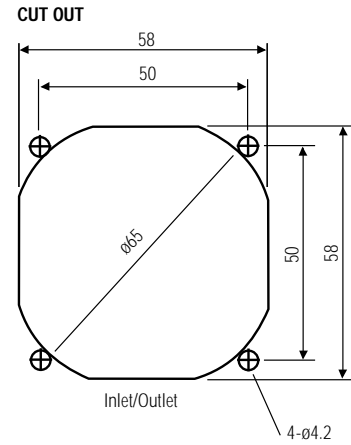
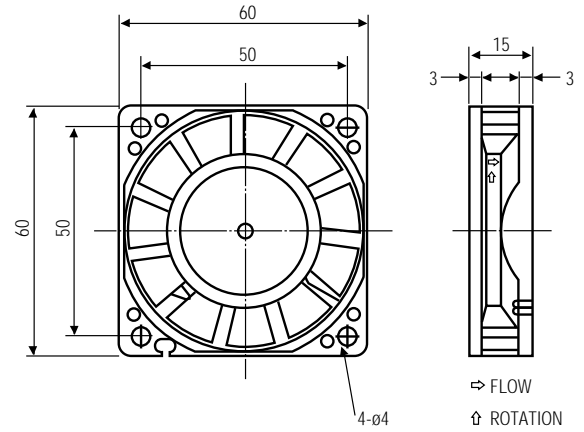


FBA06T (60mm Thin)

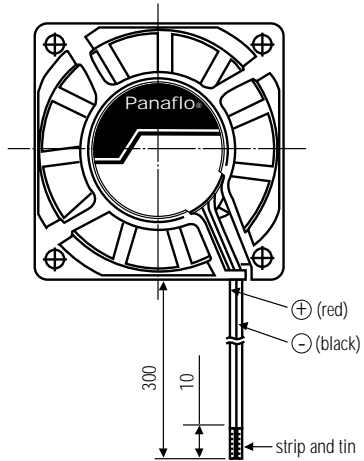


Features

- Operating Temperature: -10°C — +70°C (65% RH)
- Storage Temperature: -40°C — +75°C (65% RH)
- Bearing Type: Hydro Wave
- Aerodynamic blade and venturi design
- Locked rotor protection and auto-start function
- Lower circuit noise by new IC
- Optional third lead wire signal (Locked rotor alarm sensor)

Basic Data (nominal at room temperature)

	Rated Voltage (V)	Operating Voltage (V)	Rated Current (mA)	Rated Input (W)	Nominal Speed (r/min)	Maximum Air Flow		Maximum Air Pressure		Noise (dB-A)
						(m3/min)	(CFM)	(mmH2O)	(Pa)	
FBA06T12L	12	7—13.8	88	1.06	3200	0.34	12.0	2.80	27.5	24.0
FBA06T12H	12	7—13.8	145	1.74	4200	0.47	16.6	4.75	46.6	32.0
FBA06T24L	24	14—27.6	56	1.34	3200	0.34	12.0	2.80	27.5	24.0
FBA06T24H	24	14—27.6	83	1.99	4200	0.47	16.6	4.75	46.6	32.0



All dimensions in mm.

Lead Wire

All lead wires are 325 mm. in length \pm 15 mm. Housing and Fan Blade: Plastic

(PET, PBT, ABS)

Size

60.0 x 60.0 x 15.0
(2.36 x 2.36 x 0.59)

Weight

50 grams (1.76 ounces)

Case Quantity

100 per box

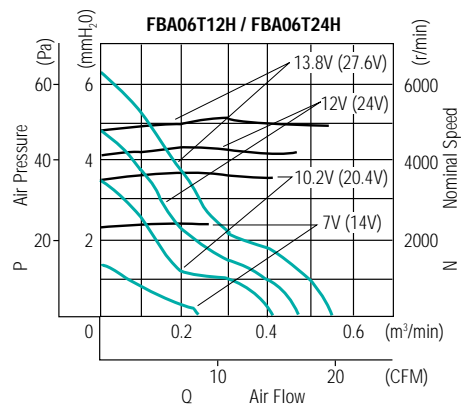
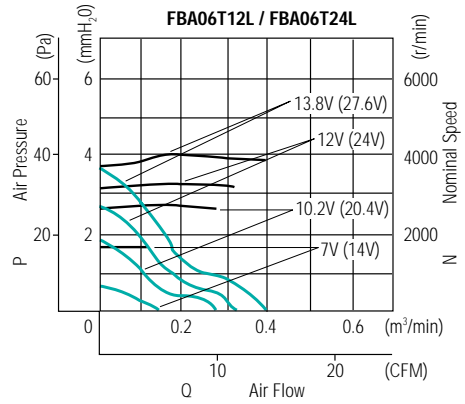
Conversion Factors

1 mm H₂O = 9.8 PA

1 m³/min = 35.313 CFM

FBA06T (60mm Thin)

Characteristics



— P—Q
— N—Q