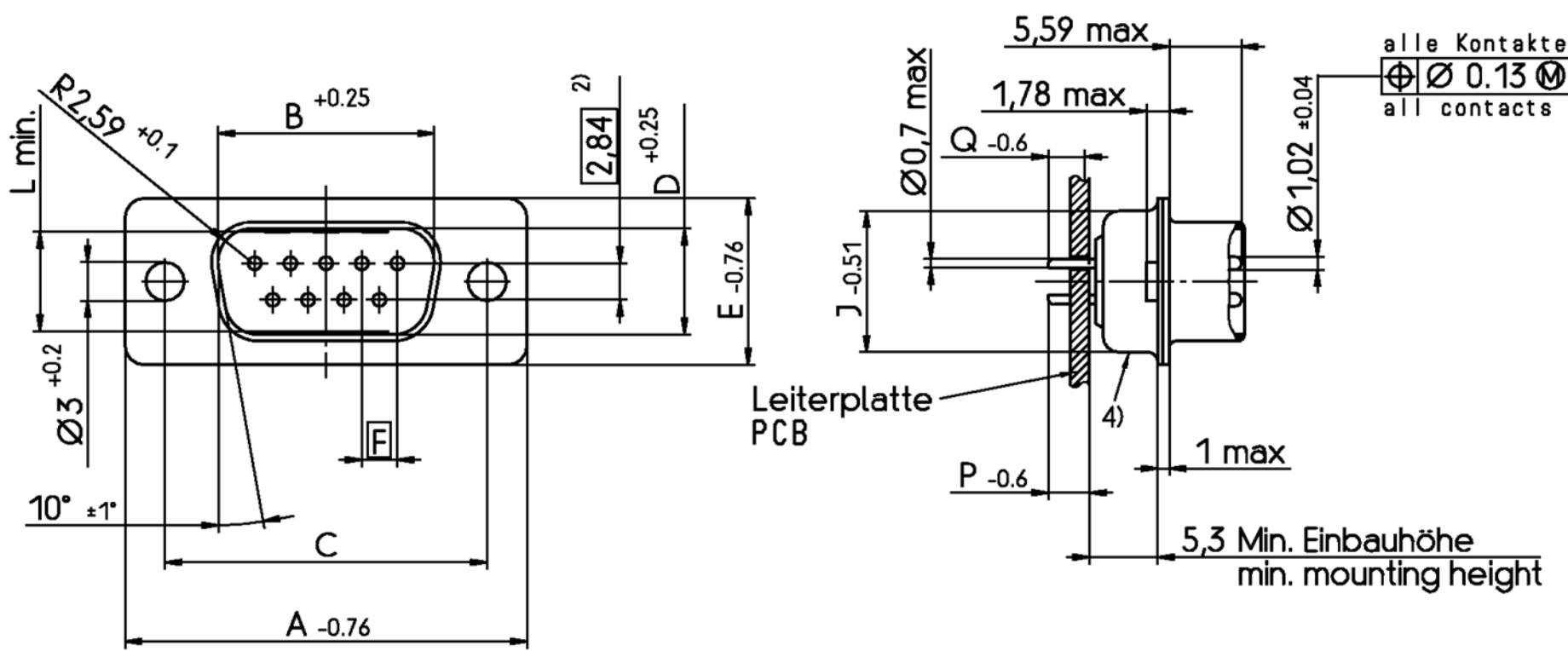


THIS INFORMATION IS CONFIDENTIAL AND PROPRIETARY TO TYCO ELECTRONICS CORPORATION AND ITS WORLDWIDE SUBSIDIARIES AND AFFILIATES. IT MAY NOT BE DISCLOSED TO ANYONE, OTHER THAN TYCO ELECTRONICS PERSONNEL, WITHOUT WRITTEN AUTHORIZATION FROM TYCO ELECTRONICS CORPORATION, HARRISBURG PENNSYLVANIA USA

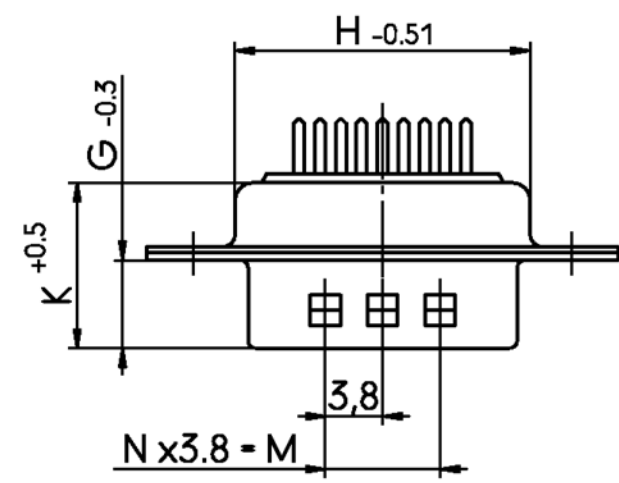
PROPRIETARY:

Standardausführung: V42254-A2115-C*** V42254-A2415-C*** 3)
 standard versions: V42254-A2117-C*** V42254-A2417-C*** 3)
 V42254-A2315-C*** V42254-A2515-C*** 3)
 V42254-A2317-C*** V42254-A2517-C*** 3)



- 1) nach DIN 41652 T.2 und T.4
- 2) Bemerkung: 50-polig: dreireihig
- 3) nicht für 50-polig
- 4) keine TE-Beschriftung bei:
 V42254-A2*17-C*** V42254-A2*18-C***
 V42254-A2122-C*** V42254-A2142-C***
 V42254-A2132-C*** V42254-A2152-C***
 V42254-A2133-C*** V42254-A2153-C***
- 5) Rille zur optischen Erkennung der Bolzentypen mit M3-Gewinde
- 6) Blechteile örtlich herunter gedrückt
- 7) Nur bei Ausführung mit Lötstielänge P = 3,2mm
- 8) Sicke nur bei den 4 äußeren Masselötstielen.

- 1) according to DIN 41652 p.2 and p.4
- 2) note: 50-contacts version: 3 contact rows
- 3) not for 50-contacts version
- 4) no TE-marking for:
 V42254-A2*17-C*** V42254-A2*18-C***
 V42254-A2122-C*** V42254-A2142-C***
 V42254-A2132-C*** V42254-A2152-C***
 V42254-A2133-C*** V42254-A2153-C***
- 5) groove in the stud bolts with M3 thread (visual recognition)
- 6) shells pressed down locally
- 7) only for versions with soldering-pin length of P = 3,2mm
- 8) only the four corner grounding soldering-pins have a rib



Sachnr. ordering code V42254-A2*1*-	Polzahl No. of contacts	dimension Maß	A	B	C	D	E	F	G	H	J	K	L	M	N
C*09	09		31.19	16.79	25.0 ^{+0.12} / _{-0.13}	8.23	12.93	2.74	6.12	19.53	10.97	10.46	7.72	7.6	2
C*15	15		39.52	25.12	33.3 ^{+0.15} / _{-0.1}	8.23	12.93	2.74	6.12	27.76	10.97	10.46	7.69	15.2	4
C*25	25		53.42	38.84	47.04 ^{+0.13} / _{-0.13}	8.23	12.93	2.76	5.99	41.53	10.97	10.57	7.65	26.6	7
C*37	37		69.7	55.3	63.5 ^{+0.13} / _{-0.13}	8.23	12.93	2.76	5.99	57.96	10.97	10.57	7.65	41.8	11
C*50	50 ²⁾		67.31	52.68	61.1 ^{+0.14} / _{-0.11}	11.07	15.75	2.76	5.99	55.58	13.82	10.57	10.45	41.8	11

Anforderungsstufe / performance level ¹⁾

V42254-	P	Q
A211*-+***	3.2	3.2
A231*-+***	5.55	5.55
A241*-+*** ³⁾	1.55	1.55
A251*-+*** ³⁾	13.65	14.05

dargestellt wird die 9-polige Ausführung
 drawn is the 9-contacts version

TE TE Connectivity

SCALE 2:1 WEIGHT

MATERIAL

PART NAME Sub-D Loetstiften gerade
 Stiftleiste mit Schirmfiederung
 D-Sub straight soldering pins
 male connector with grounding fingers

PART NO. V42254-A2***-C***-*-27 SHT. 1+ OF 8

H	ECO-15-011831	04FEB16	DG	DATE	01.03.90
E	ECO-12-004885	03MAY12	CWR	NAME	Embo
D3	ECR-10-026542	30MAY11	HMR	DEP.	PE Com PE&SE
D2	ECR-11-001872	11MAY11	KMA		
D1	ECR-10-019447	23DEC10	KMA		
D	ECR-10-017690	31AUG10	KMA	TOLERANCE UNLESS SPECIFIED OTHERWISE	
C1	ECO-10-000445	12JAN10	AEG		
C	ECR-06-029564	18 DEC 06	JvdH		

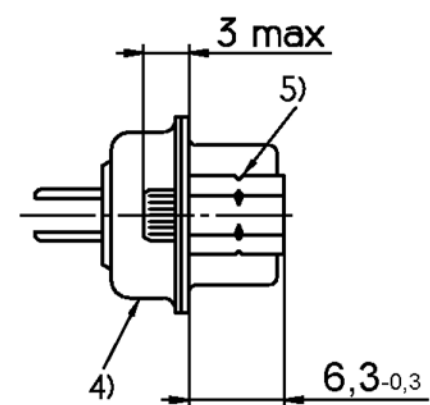
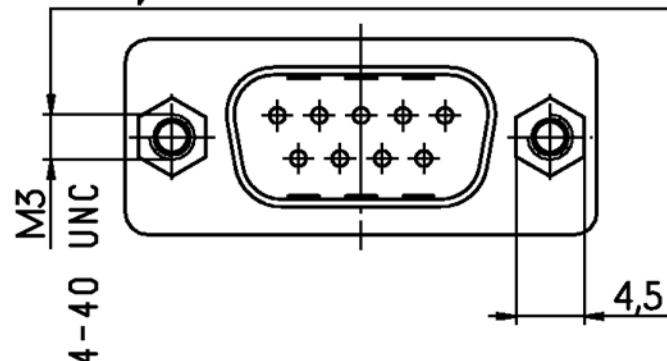
REV. CHANGE ORDER DATE APP. Customer Drawing Nr. C-7-1393483-3

THIS INFORMATION IS CONFIDENTIAL AND PROPRIETARY TO TYCO ELECTRONICS CORPORATION AND ITS WORLDWIDE SUBSIDIARIES AND AFFILIATES. IT MAY NOT BE DISCLOSED TO ANYONE, OTHER THAN TYCO ELECTRONICS PERSONNEL, WITHOUT WRITTEN AUTHORIZATION FROM TYCO ELECTRONICS CORPORATION, HARRISBURG PENNSYLVANIA USA

mit Gewindebolzen:
with screwlock stud bolts:

- | | | | |
|----------------------|-----------|----------------------|-------------------|
| M3: | 4-40 UNC: | V42254-A2119-C*** | V42254-A2116-C*** |
| V42254-A2319-C*** | | V42254-A2316-C*** | |
| V42254-A2419-C*** 3) | | V42254-A2416-C*** 3) | |
| V42254-A2519-C*** 3) | | V42254-A2516-C*** 3) | |
| | | V42254-A2118-C*** | |
| | | V42254-A2318-C*** | |
| | | V42254-A2418-C*** 3) | |
| | | V42254-A2518-C*** 3) | |

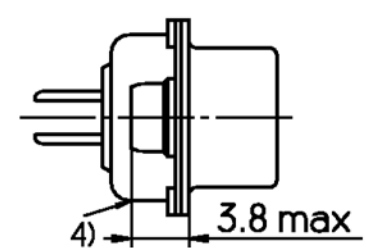
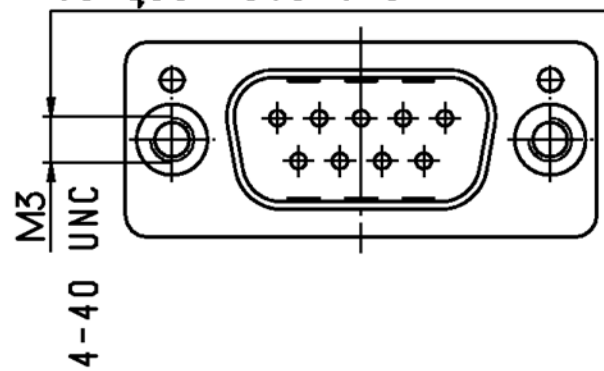
Verdrehsicherheit ≥ 70 Ncm
torque retention ≥ 70 Ncm



mit Stop-Mutter/Gewindeeinsatz:
with thread:

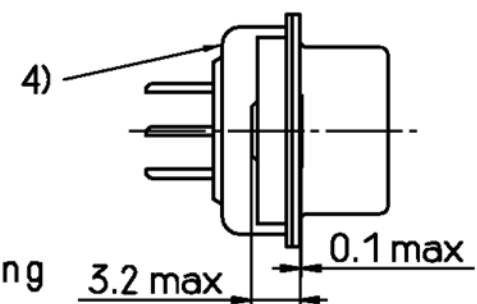
- | | | | |
|----------------------|-----------|----------------------|-------------------|
| M3: | 4-40 UNC: | V42254-A2114-C*** | V42254-A2112-C*** |
| V42254-A2314-C*** | | V42254-A2312-C*** | |
| V42254-A2414-C*** 3) | | V42254-A2412-C*** 3) | |
| V42254-A2514-C*** 3) | | V42254-A2512-C*** 3) | |

Verdrehsicherheit ≥ 130 Ncm
torque retention ≥ 130 Ncm



mit Stop-Mutter (für 9-, 15-, 25- u. 37-pol Ausführung):
with self locking press-in nuts (for 9-, 15- 25- and 37-contacts versions):

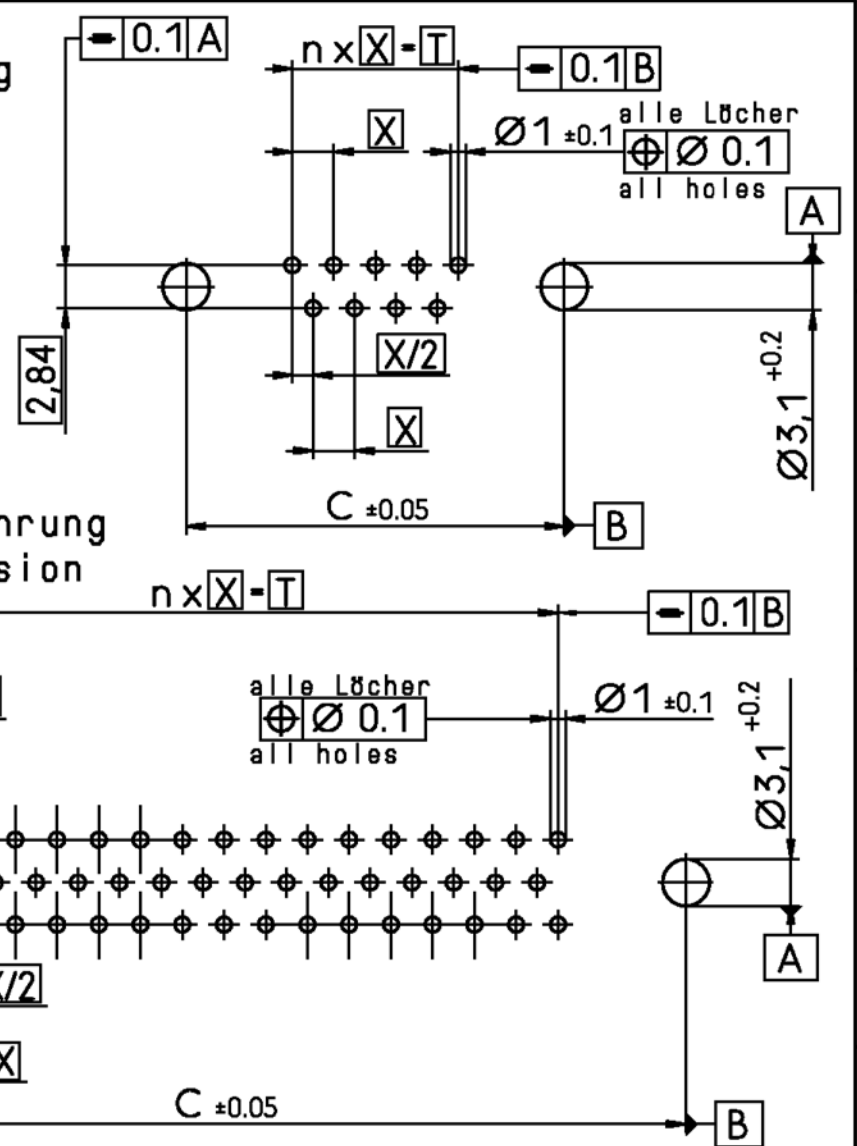
mit Gewindeeinsatz (für 50-pol Ausführung):
with thread insert (for 50-contacts version):



Erläuterungen: Seite 1
dargestellt wird die 9-polige Ausführung
remarks: see page 1
drawn is the 9-contacts version

Leiterplattenbohrung
PCB layout

für 50-polige Ausführung
for 50-contacts version



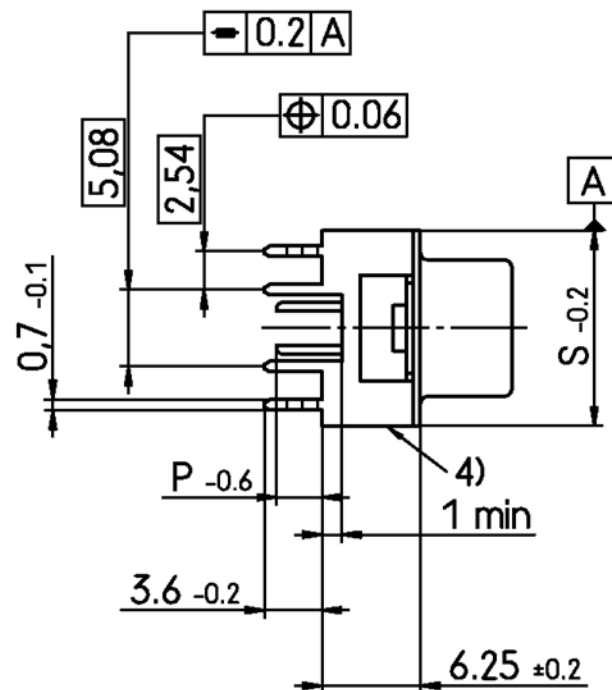
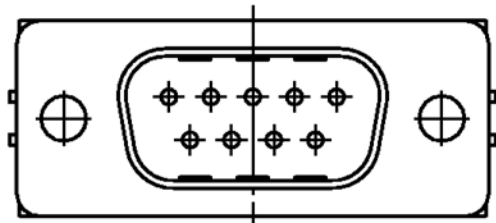
Polzahl No. of contacts	n	Abmessungen in mm dimensions in mm		
		C	T	X
9	4	25.0	10.96	2.74
15	7	33.3	19.18	2.74
25	12	47.04	33.12	2.76
37	18	63.5	49.68	2.76
50	16	61.1	44.16	2.76

		SCALE 2:1		WEIGHT	
		MATERIAL			
DATE 01.03.90		PART NAME Sub-D Loetstiften gerade			
NAME Embo		Stiftleiste mit Schirmfederung			
DEP. PE Com PE&SE		D-Sub straight soldering pins			
TOLERANCE UNLESS SPECIFIED OTHERWISE		PART NO. V42254-A2***-C***-*-27		SHT. 2+	
SEE SHEET 1		Customer Drawing Nr. C-7-1393483-3			
REV.	CHANGE ORDER	DATE	APP.	OF 8	

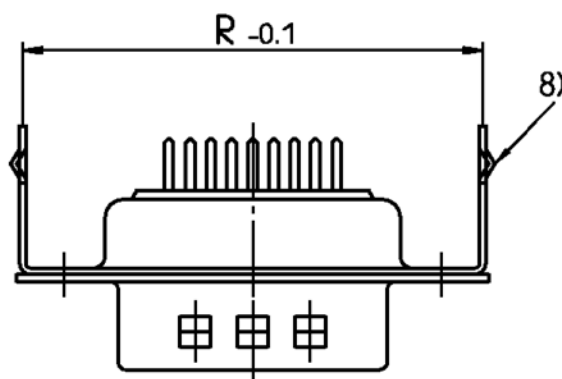
THIS INFORMATION IS CONFIDENTIAL AND PROPRIETARY TO TYCO ELECTRONICS CORPORATION AND ITS WORLDWIDE
 SUBSIDIARIES AND AFFILIATES. IT MAY NOT BE DISCLOSED TO ANYONE, OTHER THAN TYCO ELECTRONICS PERSONNEL,
 WITHOUT WRITTEN AUTHORIZATION FROM TYCO ELECTRONICS CORPORATION, HARRISBURG PENNSYLVANIA USA

mit Masselötstiften:
 with grounding soldering pins: 3)

V42254-A2215-C***
 V42254-A2217-C***
 V42254-A2815-C***
 V42254-A2817-C***



V42254-	P
A221*-+***	3.2
A281*-+***	5.55



Sachnr. ordering code V42254-A2*1*-	Polzahl No. of contacts	dimension Maß	
		R	S
C*09	09	30.4	12.4
C*15	15	38.8	12.4
C*25	25	52.7	12.4
C*37	37	69.1	12.4

Anforderungsstufe / performance level 1)

Erläuterungen: Seite 1
 dargestellt wird die 9-polige Ausführung
 remarks: see page 1
 drawn is the 9-contacts version

		SCALE 2:1		WEIGHT
		MATERIAL		
DATE 01.03.90 NAME Embo DEP. PE Com PE&SE		PART NAME Sub-D Loetstiften gerade Stiftleiste mit Schirmfiederung D-Sub straight soldering pins male connector with grounding fingers		
TOLERANCE UNLESS SPECIFIED OTHERWISE		PART NO. V42254-A2***-C***-*-27		SHT. 3+
SEE SHEET 1	Customer Drawing Nr. C-7-1393483-3			OF 8
REV.	CHANGE ORDER	DATE	APP.	

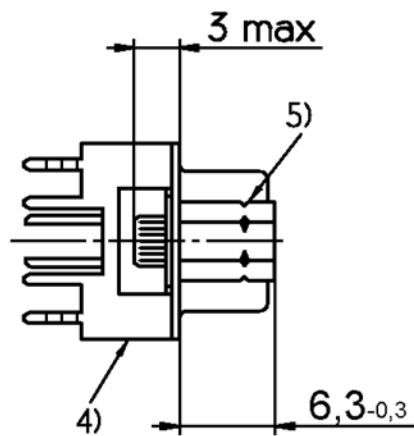
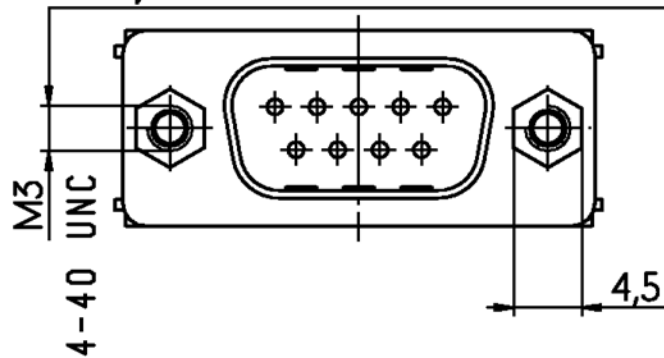
PROPRIETARY:

THIS INFORMATION IS CONFIDENTIAL AND PROPRIETARY TO TYCO ELECTRONICS CORPORATION AND ITS WORLDWIDE SUBSIDIARIES AND AFFILIATES. IT MAY NOT BE DISCLOSED TO ANYONE, OTHER THAN TYCO ELECTRONICS PERSONNEL, WITHOUT WRITTEN AUTHORIZATION FROM TYCO ELECTRONICS CORPORATION, HARRISBURG-PENNSYLVANIA USA

mit Masselötstiften und Gewindebolzen:
with grounding soldering-pins and screwlock stud bolts: 3)

M3: V42254-A2219-C*** 4-40 UNC: V42254-A2216-C***
V42254-A2218-C***
V42254-A2819-C*** V42254-A2816-C***
V42254-A2818-C***

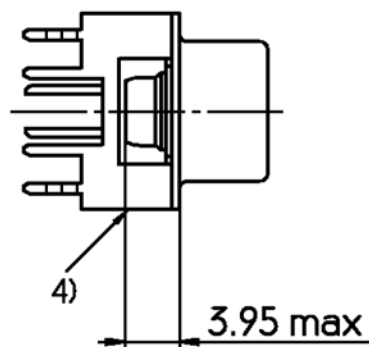
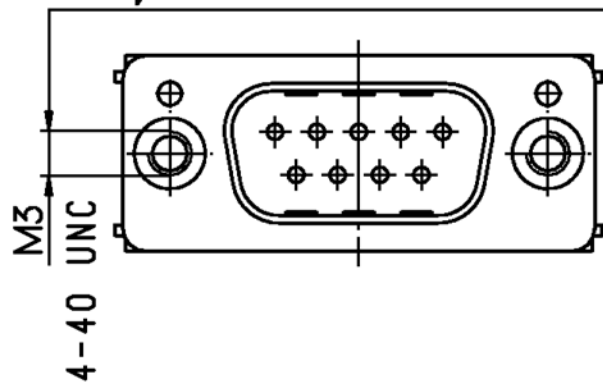
Verdrehsicherheit ≥ 70 Ncm
torque retention ≥ 70 Ncm



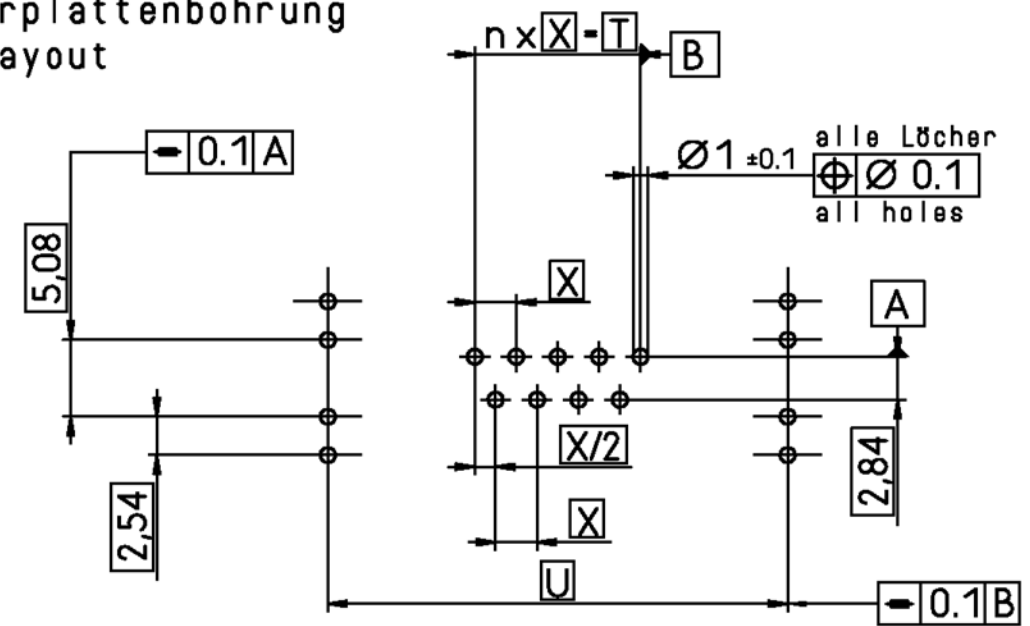
mit Masselötstiften und Stop-Mutter:
with grounding soldering-pins and thread: 3)

M3: V42254-A2214-C*** 4-40 UNC: V42254-A2212-C***
V42254-A2814-C*** V42254-A2812-C***

Verdrehsicherheit ≥ 130 Ncm
torque retention ≥ 130 Ncm



Leiterplattenbohrung
PCB layout



Polzahl No. of contacts	n	Abmessungen in mm dimensions in mm		
		T	U	X
9	4	10.96	30.4	2.74
15	7	19.18	38.8	2.74
25	12	33.12	52.7	2.76
37	18	49.68	69.1	2.76

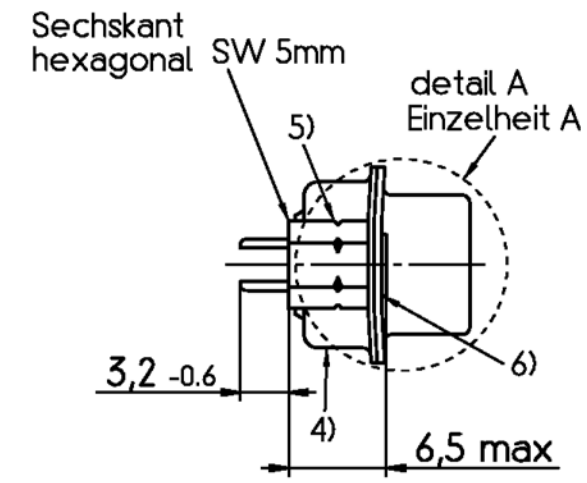
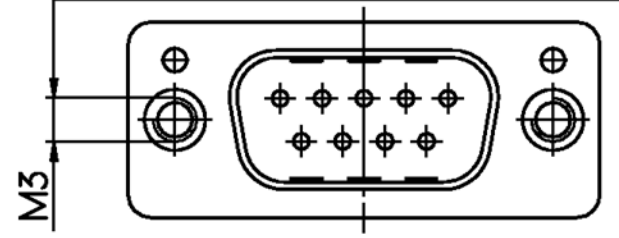
Erläuterungen: Seite 1
dargestellt wird die 9-polige Ausführung
remarks: see page 1
drawn is the 9-contacts version

TE TE Connectivity		SCALE 2:1	WEIGHT
LOC GW DIMENSIONS IN MM		MATERIAL	
DATE	01.03.90	PART NAME Sub-D Loetstiften gerade Stiftleiste mit Schirmfiederung D-Sub straight soldering pins male connector with grounding fingers	
NAME	Embo	PART NO. V42254-A2***-C***-*-27	
DEP.	PE Com PE&SE	SHT. 4+	
TOLERANCE UNLESS SPECIFIED OTHERWISE		REV. CHANGE ORDER DATE APP. Customer Drawing Nr. C-7-1393483-3	
SEE SHEET 1		OF 8	

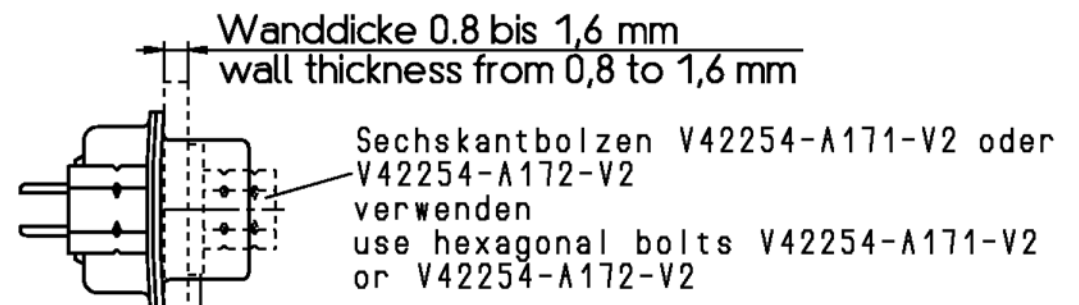
mit Distanzbolzen :
with distance bolts: 7)

V42254-A2120-C***
V42254-A2122-C***

Verdrehsicherheit ≥ 20 Ncm
torque retention ≥ 20 Ncm



Montageart
mounting type

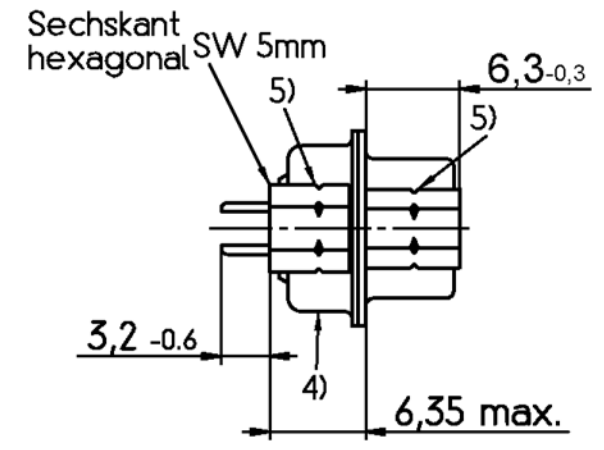
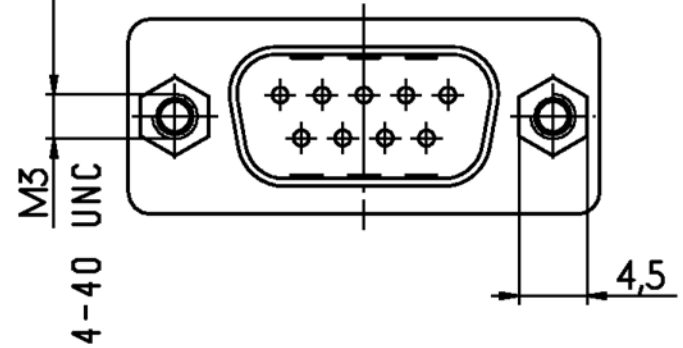


Falls notwendig Distanzscheiben verwenden
if necessary, use washer(s)

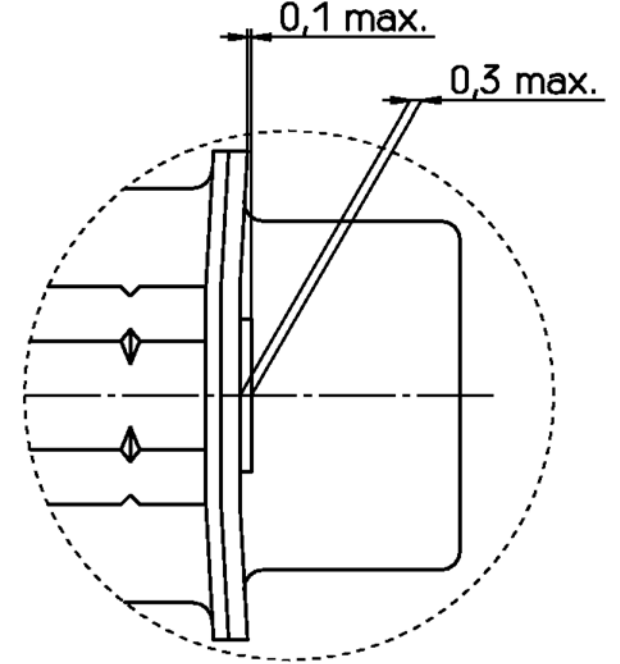
mit Gewinde- und Distanzbolzen
with screwlock stud bolts and distance bolts: 7)

	Gewindebolzen screwlock stud bolts	Distanzbolzen distance bolts
V42254-A2130-C***	M3	M3
V42254-A2131-C***	4-40 UNC	M3
V42254-A2132-C***	M3	M3
V42254-A2133-C***	4-40 UNC	M3

Verdrehsicherheit ≥ 80 Ncm
torque retention ≥ 80 Ncm



Einzelheit A (5:1)
detail A



Erläuterungen: Seite 1
dargestellt wird die 9-polige Ausführung
remarks: see page 1
drawn is the 9-contacts version

TE TE Connectivity		SCALE 2:1	WEIGHT
LOC GW DIMENSIONS IN MM		MATERIAL	
DATE 01.03.90	NAME Embo	PART NAME Sub-D Loetstiften gerade Stiftleiste mit Schirmfiederung D-Sub straight soldering pins male connector with grounding fingers	
DEP. PE Com PE&SE	TOLERANCE UNLESS SPECIFIED OTHERWISE	PART NO.	SHT. 5+
SEE SHEET 1		V42254-A2***-C***-*-27	
REV. CHANGE ORDER	DATE	APP. Customer Drawing Nr. C-7-1393483-3	OF 8

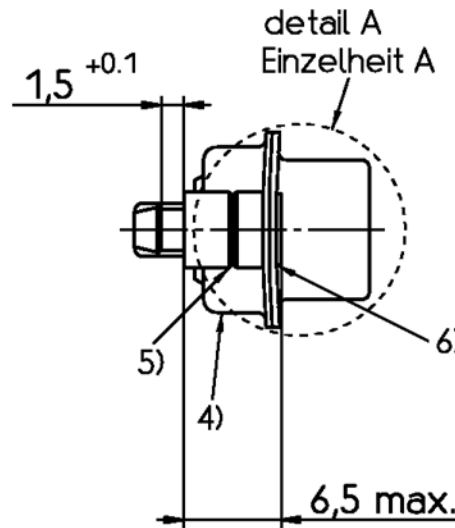
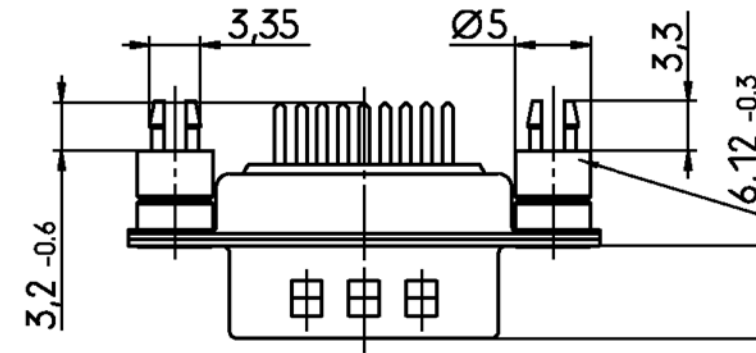
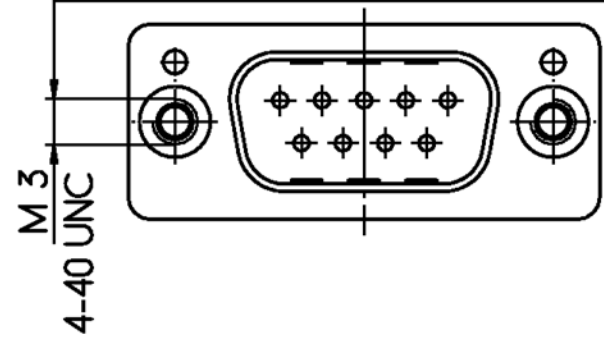
THIS INFORMATION IS CONFIDENTIAL AND PROPRIETARY TO TYCO ELECTRONICS CORPORATION AND ITS WORLDWIDE SUBSIDIARIES AND AFFILIATES. IT MAY NOT BE DISCLOSED TO ANYONE, OTHER THAN TYCO ELECTRONICS PERSONNEL, WITHOUT WRITTEN AUTHORIZATION FROM TYCO ELECTRONICS CORPORATION, HARRISBURG PENNSYLVANIA USA

PROPRIETARY:

mit Distanzbolzen und Clip :
with distance bolts and grounding socket: 7)

M3 : V42254-A2140-C*** 4-40 UNC : V42254-A2141-C***
V42254-A2142-C***

Verdrehsicherheit ≥ 20 Ncm
torque retention ≥ 20 Ncm

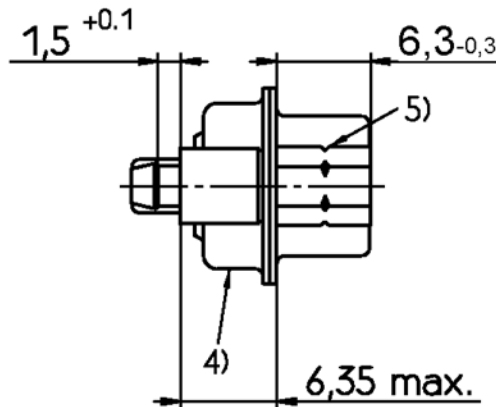
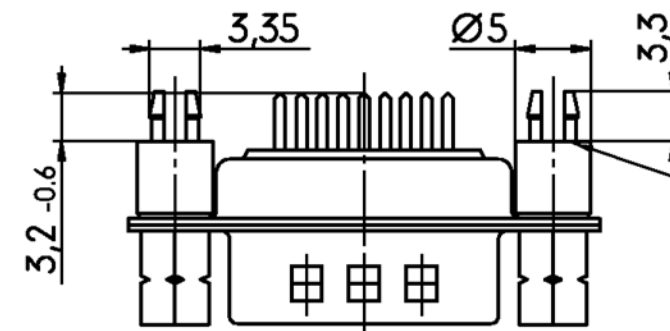
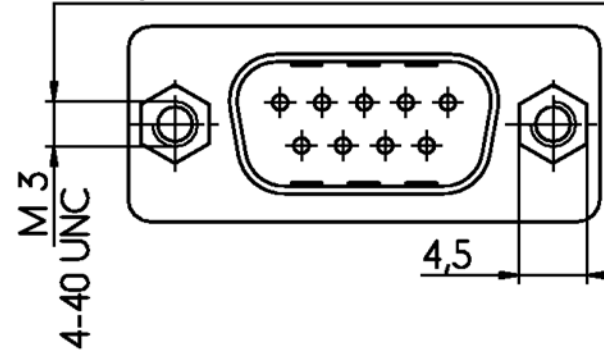


Clip für :
grounding socket for:
- Loch:
hole: $\varnothing 3,2^{+0.1}$
- LP-Dicke:
PCB thickness: $1,5 \pm 0.1$

mit Gewinde- und Distanzbolzen mit Clip :
with screwlock stud bolts and distance bolts and grounding socket: 7)

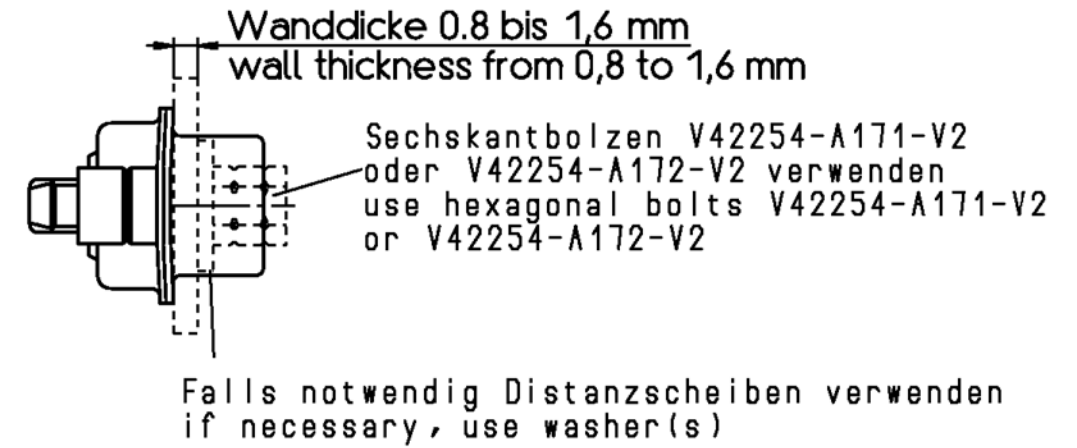
M3 : V42254-A2150-C*** 4-40 UNC : V42254-A2151-C***
V42254-A2152-C*** V42254-A2153-C***

Verdrehsicherheit ≥ 80 Ncm
torque retention ≥ 80 Ncm

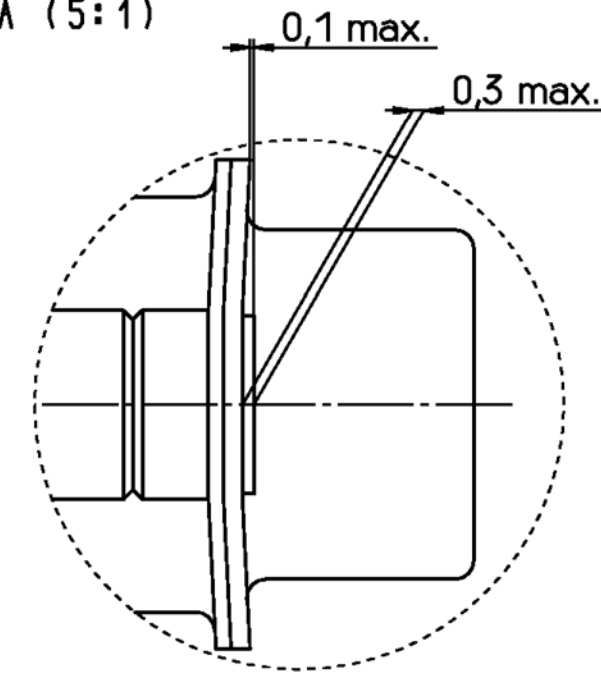


Clip für :
grounding socket for:
- Loch:
hole: $\varnothing 3,2^{+0.1}$
- LP-Dicke:
PCB thickness: $1,5 \pm 0.1$

Montageart
mounting type



Einzelheit A (5:1)
detail A



Erläuterungen: Seite 1
dargestellt wird die 9-polige Ausführung
remarks: see page 1
drawn is the 9-contacts version

		SCALE 2:1		WEIGHT
		MATERIAL		
DATE 01.03.90		PART NAME Sub-D Loetstiften gerade		
NAME Embo		Stiftleiste mit Schirmfiederung		
DEP. PE Com PE&SE		D-Sub straight soldering pins		
TOLERANCE UNLESS SPECIFIED OTHERWISE		PART NO.		SHT. 6+
SEE SHEET 1		V42254-A2***-C***-*-27		OF 8
REV.	CHANGE ORDER	DATE	APP.	Customer Drawing Nr. C-7-1393483-3

THIS INFORMATION IS CONFIDENTIAL AND PROPRIETARY TO TYCO ELECTRONICS CORPORATION AND ITS WORLDWIDE SUBSIDIARIES AND AFFILIATES. IT MAY NOT BE DISCLOSED TO ANYONE, OTHER THAN TYCO ELECTRONICS PERSONNEL, WITHOUT WRITTEN AUTHORIZATION FROM TYCO ELECTRONICS CORPORATION, HARRISBURG PENNSYLVANIA USA

PROPRIETARY:

V 4 2 2 5 4 - A 2 * * * - C * * *

Anschlußausführung // connection type	
1	Lötstiftlänge 3.2mm // soldering pin length 3.2mm
2	Lötstiftlänge 3.2mm mit Masselötstiften 1) // soldering pin length 3.2mm with grounding soldering pins
3	Lötstiftlänge 5.55mm // soldering pin length 5.55mm
4	Lötstiftlänge 1.55mm 1) // soldering pin length 1.55mm 1)
5	Lötstiftlänge 14.05mm 1) // soldering pin length 14.05mm 1)
8	Lötstiftlänge 5.55mm mit Masselötstiften 1) // soldering pin length 5.55mm with grounding soldering pins 1)

Steckerart // connector type	
C	Stiftleiste mit Schirmfiederung // male connector with grounding fingers

Kontaktoberfläche / Kontaktart // contact surface / contact type	
1	Anforderungsstufe 1 / gerollte Kontakte // performance level I / rolled contacts
2	Anforderungsstufe 2 / gerollte Kontakte // performance level II / rolled contacts

Polzahl // no. of contacts	
09	9-polig // 9-contacts
15	15-polig // 15-contacts
25	25-polig // 25-contacts
37	37-polig // 37-contacts
50	50-polig // 50-contacts

PERFORMANCE LEVEL 2 CONTACT FINISH: Au OR Au FLASH OVER PdNi

Steckverbinderunterscheidung // connector hardware

1*	2*	3*	4*	5*
Standardausführung + Ausführung mit Gewindeinsatz oder Gewindebolzen standard version + version with thread insert or screwlock stud bolts	Ausführung mit Distanzbolzen version with distance bolts	Ausführung mit Gewindebolzen und Distanzbolzen version with screwlock stud bolts and distance bolts	Ausführung mit Distanzbolzen mit Clip version with distance bolts and grounding socket	Ausführung mit Gewindebolzen und Distanzbolzen mit Clip version with screwlock stud bolts and distance bolts and grounding socket
mit TE-Beschriftung auf Blechteil with TE-marking on the shell	Distanzbolzen distance bolts	mit Gewindebolzen with screwlock stud bolts	mit Distanzbolzen with distance bolts	mit Gewindebolzen with screwlock stud bolts
mit Stopmutter with thread insert	mit TE-Beschriftung auf Blechteil with TE-marking on the shell	mit Distanzbolzen with distance bolts	mit TE-Beschriftung auf Blechteil with TE-marking on the shell	mit Distanzbolzen with distance bolts
mit Gewindebolzen with screwlock stud bolts		mit TE-Beschriftung auf Blechteil with TE-marking on the shell		mit TE-Beschriftung auf Blechteil with TE-marking on the shell
12	20	30	40	50
ja // yes	M3	M3	M3 +	M3
4-40UNC	ja // yes	M3	ja // yes	Clip grounding socket
nein // no		ja // yes	Clip grounding socket	ja // yes
14	22	31	41	51
ja // yes	M3	4-40UNC	4-40UNC +	4-40UNC
nein // no	nein // no	M3	ja // yes	Clip grounding socket
nein // no		nein // no	Clip grounding socket	nein // no
16		32	42	52
ja // yes		M3	M3 +	M3
nein // no		4-40UNC	nein // no	Clip grounding socket
nein // no		nein // no		nein // no
18		33		53
nein // no		4-40UNC		4-40UNC
4-40UNC		nein // no		Clip grounding socket
nein // no				nein // no
19				
ja // yes				
nein // no				
M3				

THIS INFORMATION IS CONFIDENTIAL AND PROPRIETARY TO TYCO ELECTRONICS CORPORATION AND ITS WORLDWIDE SUBSIDIARIES AND AFFILIATES. IT MAY NOT BE DISCLOSED TO ANYONE, OTHER THAN TYCO ELECTRONICS PERSONEL, WITHOUT WRITTEN AUTHORIZATION FROM TYCO ELECTRONICS CORPORATION, HARRISBURG PENNSYLVANIA USA.




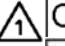
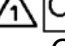



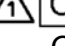
1) nicht für 50-polig
2) nur für Lötstiftlänge 3.2mm
1) not for 50-contacts version
2) not for soldering pin length 3.2mm

		SCALE	WEIGHT
MATERIAL		PART NAME	
DATE 01.03.90		Sub-D Lötstiften gerade	
NAME Embo		Stiftleiste mit Schirmfiederung	
APP. PE Com PE&SE		D-Sub straight soldering pins	
TOLERANCE UNLESS SPECIFIED OTHERWISE		male connector with grounding fingers	
SEE SHEET 1		PART NO.	
REV. CHANGE ORDER		V42254-A2***-C***-*-27	
DATE		Customer Drawing Nr. C-7-1393483-3	
APP.		SHT. 7+	
		OF 8	

THIS INFORMATION IS CONFIDENTIAL AND PROPRIETARY TO TYCO ELECTRONICS CORPORATION AND ITS WORLDWIDE
 SUBSIDIARIES AND AFFILIATES. IT MAY NOT BE DISCLOSED TO ANYONE, OTHER THAN TYCO ELECTRONICS PERSONNEL,
 WITHOUT WRITTEN AUTHORIZATION FROM TYCO ELECTRONICS CORPORATION, HARRISBURG PENNSYLVANIA USA


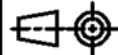
PROPRIETARY:


 OBSOLETE PARTS: OBSOLETE CIS STREAMLINING PER
 D.RENAUD/D.SINISI

TE PARTNUMBER	OLD PART NUMBER	ALTERNATE TE PARTNUMBER
	SUPERSEDED BY 1392009-8	
 OBSOLETE	2-1393502-4	
	7-1393483-7	7-6393483-7
	7-1393483-8	7-6393483-8
OBSOLETE	9-1393483-3	
OBSOLETE	9-1393483-4	
OBSOLETE	9-1393483-5	
OBSOLETE	9-1393483-6	
OBSOLETE	1-1393740-5	
OBSOLETE	1-1393484-9	
 OBSOLETE	2-1393484-0	
OBSOLETE	2-1393484-5	
OBSOLETE	2-1393740-4	
 OBSOLETE	2-1393740-5	
OBSOLETE	2-1393740-6	
OBSOLETE	3-1393740-3	
	3-1393740-4	
 OBSOLETE	3-1393740-5	
OBSOLETE	3-1393740-6	
OBSOLETE	5-1393740-2	
 OBSOLETE	5-1393740-3	
OBSOLETE	5-1393740-4	
	5-1393740-5	
 OBSOLETE	5-1419149-2	
	5-1419149-3	
	5-1419149-4	
	5-1419149-5	
	7-1393740-8	
	7-1393740-9	
	8-1393740-0	
OBSOLETE	8-1393740-1	
 OBSOLETE	9-1393740-4	
	9-1393740-6	
	9-1393740-7	
OBSOLETE	3-1393484-7	
	3-1393484-8	
	3-1393484-9	
 OBSOLETE	4-1393484-0	
OBSOLETE	9-1393740-9	
OBSOLETE	1393741-2	
	2-1392010-9	
 OBSOLETE	1393741-7	
OBSOLETE	1857903-3	
	1857903-5	

OBSOLETE

SUPERSEDED BY 7-1393740-9

 TE Connectivity		 DIMENSIONS IN MM	SCALE 2:1	WEIGHT
			MATERIAL	
DATE	01.05.90	PART NAME Sub-D Loetstiften gerade Stiflleiste mit Schirmfiederung D-Sub straight soldering pins male connector with grounding fingers		
NAME	Embo			
DEP.	PE Com PE&SE			
TOLERANCE UNLESS SPECIFIED OTHERWISE		PART NO.		SHT.
SEE SHEET 1		V42254-A2***-C***-*27		8+
REV.	CHANGE ORDER	DATE	APP.	Customer Drawing Nr. C-7-1393483-3
				OF 8