

# SSH66XU series

Compact Switch for internal or external mounting via 1/2" NPT thread.

- **Internal or External mount**
- **Stainless steel SUS304/316**
- **Operating temperature to 120°C**
- **N/O or N/C switching action**



### Technical Specification

|                       |                   |                                  |                 |
|-----------------------|-------------------|----------------------------------|-----------------|
| Mounting style        | Internal/External | Cable length - standard          | 100cm           |
| Mounting thread       | 1/2" NPT          | Cable size                       | 17/0.10 - AWG22 |
| Float & Stem material | 316/304 grade SS  | Cable conductor material         | Tinned copper   |
| Maximum Temperature   | 120°C             | Cable sheath material            | XLPE            |
| Maximum pressure      | 10 bar            | Cable temperature rating         | 125°C           |
| Float SG              | 0.7               | Sealing gasket                   | Not applicable  |
| Minimum fluid SG      | 0.75              | Tightening torque for fixing nut | 2.0kg/cm        |

### Electrical Specification

|  |    |           |
|--|----|-----------|
| Contact Form                             |    | N/O (N/C) |
| Switching Power Max                      | VA | 50        |
| Switching Voltage AC Max                 | V  | 300       |
| Switching Voltage DC Max                 | V  | 300       |
| Switching Current Max                    | A  | 0.5       |
| Breakdown Voltage Min                    | DC | 600       |
| All ratings are for resistive load only. |    |           |

The SSH66XU series are horizontal float switches, which offer the choice of internal or external fixing 1/2" NPT threads.

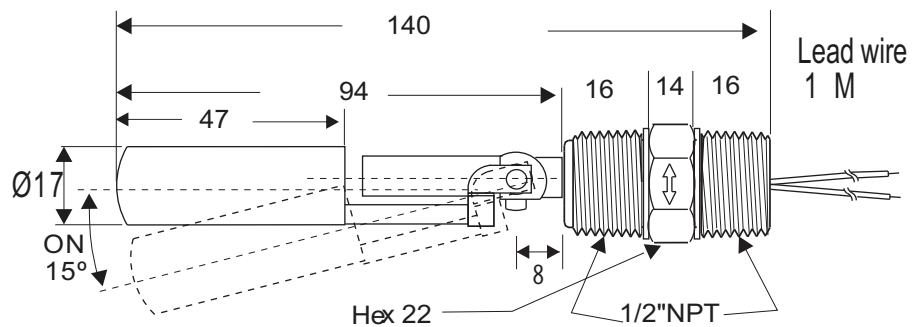
The float is manufactured from High Grade 316 stainless steel and the stem is manufactured from 304 stainless steel.

The switch action may be reversed by mounting the device with the float able to move upwards away from the body, instead of the more normal downwards direction.

| Standard Parts | Material   | Max Power | Leadouts   | Gasket |
|----------------|------------|-----------|------------|--------|
| SSH66XU12N100  | 316/304 SS | 50VA      | 100cm XLPE | N/A    |

Custom versions can be made for particular applications. Please contact Cynergy3 with your requirements.

### Mechanical Dimensions



Cynergy3 Components Ltd.  
7 Cobham Road  
Ferndown Industrial Estate  
Wimborne, Dorset BH21 7PE  
Telephone +44 (0) 1202 897969

Email: sales@cynergy3.com

ISO9001 CERTIFIED

www.cynergy3.com