

THIS DRAWING IS UNPUBLISHED.

RELEASED FOR PUBLICATION

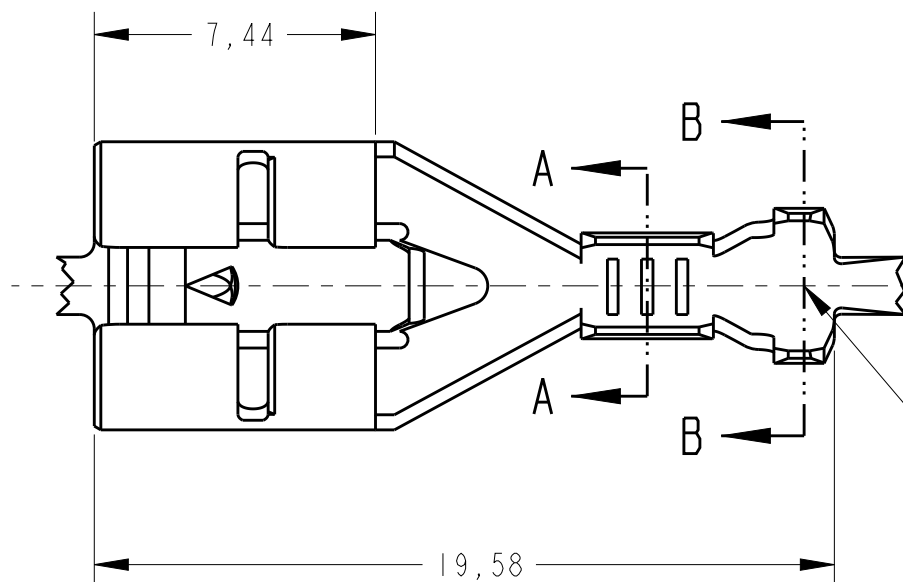
© COPYRIGHT 19 AMP

ALL RIGHTS RESERVED.

LOC AP DIST -

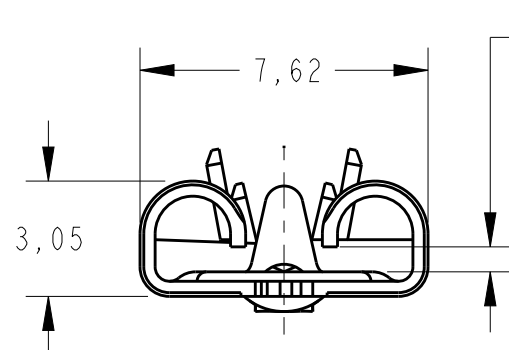
REVISIONS

P	LTR	DESCRIPTION	DATE	DWN	APVD
	C1	REV. BY ECO-11-009578	10MAY2011	HC	WLS
	C2	REV. BY ECO 16-003728	11MAR2016	HC	WLS

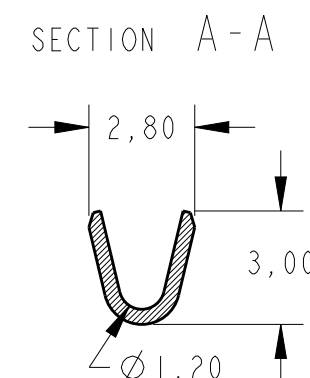
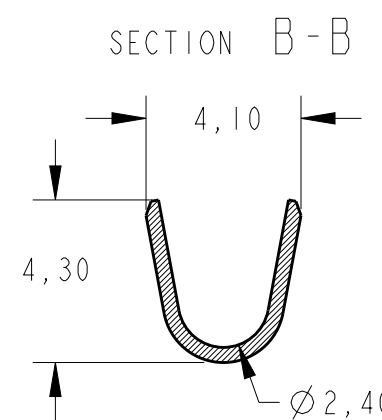
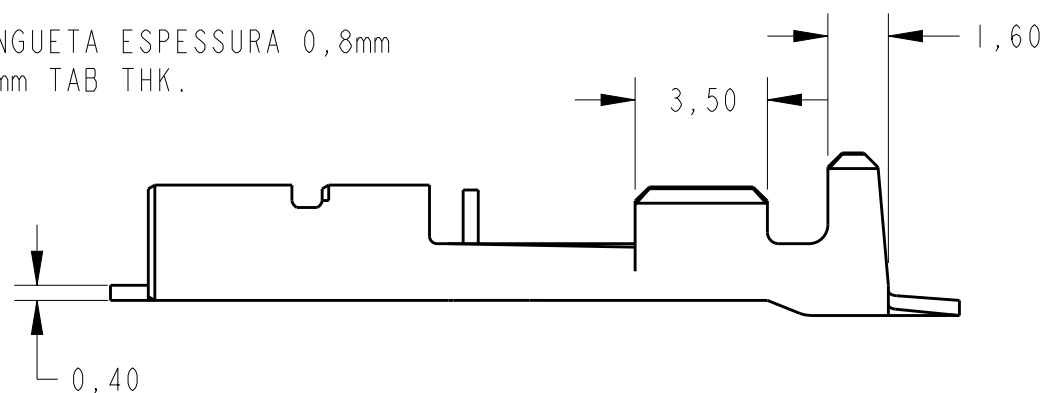


1- WIRE RANGE 0,5/1,0mm²
INSULATION DIA. RANGE Ø2,0/2,7mm.

LOGOTIPO E CODIGO DO PAÍS PRODUTOR
LOGO AND MANUFACTURING COUNTRY CODE.



PARA LINGUETA ESPESSURA 0,8mm
FOR 0,8mm TAB THK.



OBSOLETE	ESTANHIADO/TINNED	LATÃO/BRASS	1380088-2
	NU/NONE	LATÃO/BRASS	1380088-1
	FINISH	MATERIAL	PART NUMBER

THIS DRAWING IS A CONTROLLED DOCUMENT.		DWN 09AUG00 H.C. CANTERI	STE TE Connectivity	
DIMENSIONS: mm		CHK 09AUG00 W.L. STEFANI		
TOLERANCES UNLESS OTHERWISE SPECIFIED:		APVD 09AUG00	NAME POSITIVE LOCK MKIII, L.I.F. .250 SERIES RECEPT.	
0 PLC ±-	1 PLC ±-	PRODUCT SPEC	SIZE CAGE CODE DRAWING NO RESTRICTED TO	
2 PLC ±0,25	3 PLC ±-	APPLICATION SPEC	A3 00779 C-1380088	-
4 PLC ±-	ANGLES ±1°	WEIGHT	Customer Drawing	SCALE 5/1 SHEET 1 OF 1 REV C2
MATERIAL SEE TABLE	FINISH SEE TABLE			