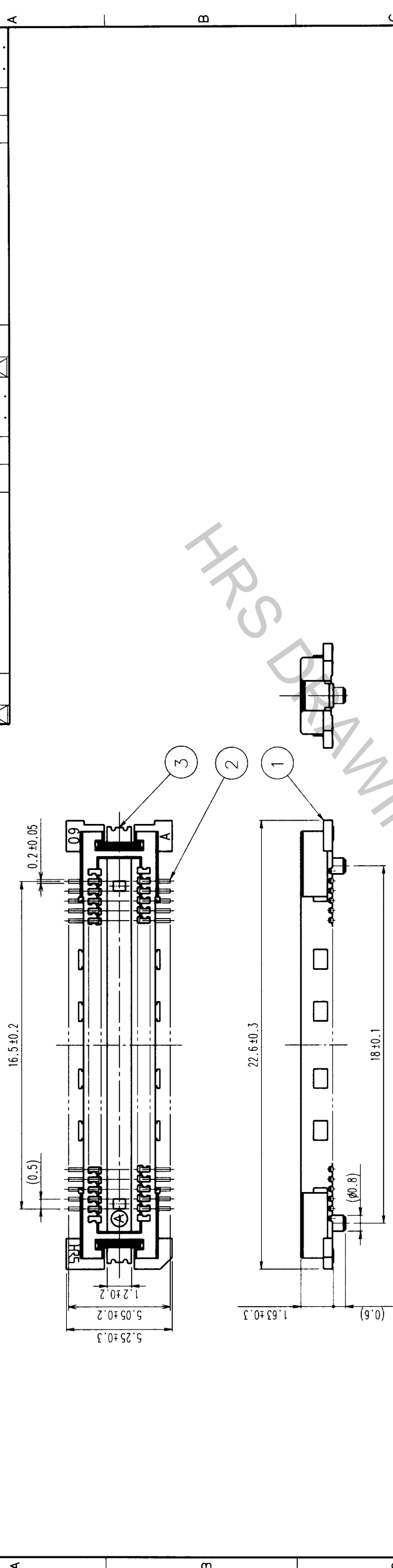
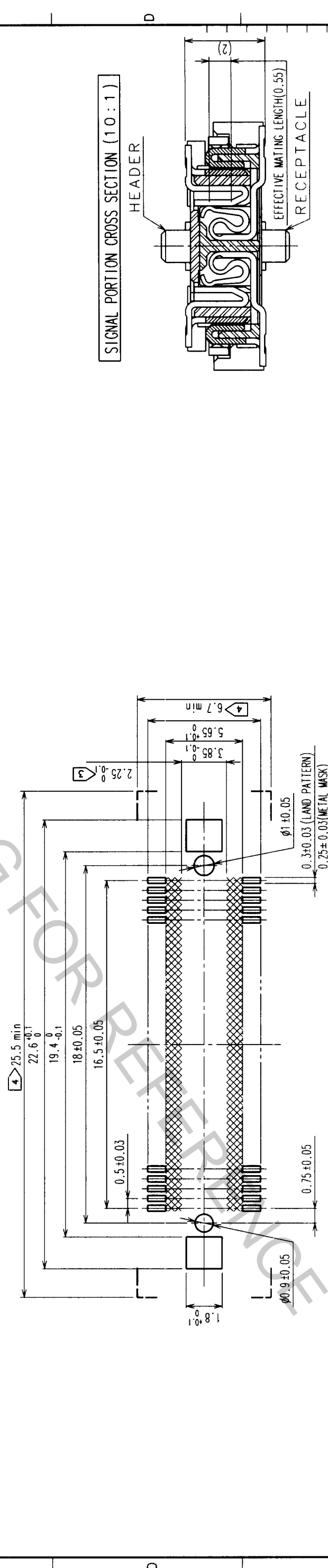


COUNT	DESCRIPTION OF REVISIONS	BY	CHKD	DATE	COUNT	DESCRIPTION OF REVISIONS	BY	CHKD	DATE
△					△				
△					△				
△					△				



RECOMMENDED LAND PATTERN DIMENSION OF PCB



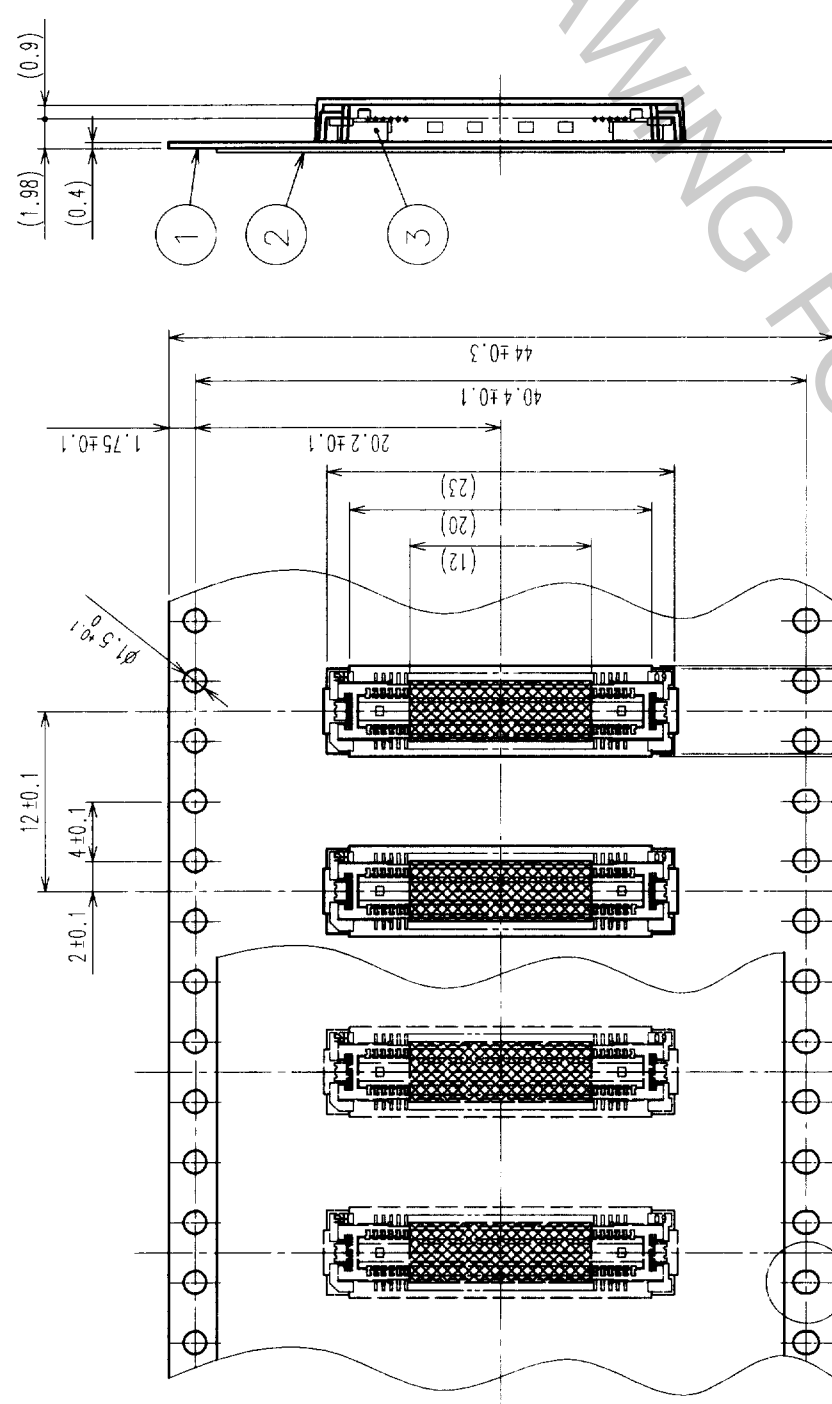
2	COPPER ALLOY	CONTACT AREA: GOLD (0.1µm) OVER NICKEL LEAD: GOLD FLASH OVER NICKEL
1	LCP	BEIGE UL94V-0
NO.	MATERIAL	FINISH, REMARKS
3	PHOSPHOR BRONZE	TIN PLATED
CODE NO. (OLD)	CL	DRAWN
		DESIGNED
		CHECKED
		APPROVED
		RELEASED

DRAWING NO.	EDC3-152100-02	PART NO.	FX11LA-68P-SV (22)
SCALE	5 : 1	CODE NO.	CL573-0042-1-22
UNITS	mm		

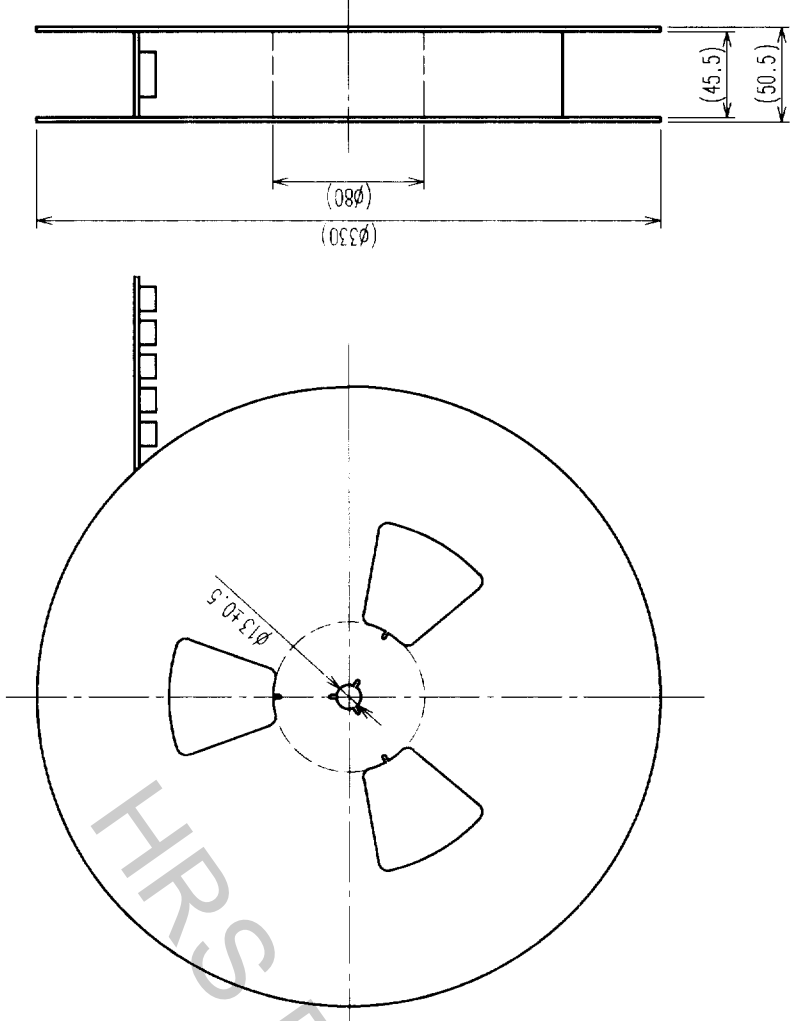
- NOTES
- SMT LEAD-COPLANARITY: 0.1 MAX.
 - THIS PRODUCT HAS NO POLARITY TO PATTERN FOR MOUNTING.
 - MAKE SURE WIDTH OF PATTERN IS WITHIN THAT OF LAND OR LEAD MAY TOUCH PATTERN. (THIS APPLIES TO HATCHED AREA.)
 - DO NOT MOUNT OTHER DEVICES ONTO [] AREA, OR MATING PAIR CANNOT BE MATED.
 - TO BE EMBOSSED CARRIER TAPED AS SPECIFIED IN SHEET 2.

TO	
PCK	

COUNT	DESCRIPTION OF REVISIONS	BY	CHKD	DATE
△				
△				
△				

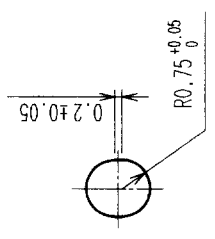


REELED DIMENSION (Free)

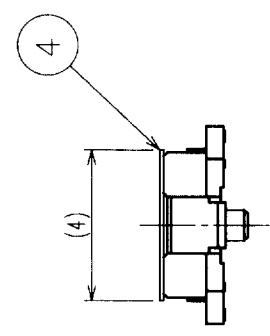


THE DIRECTION OF PULLING OUT →

A (5 : 1)



DETAIL FOR VACUUM PICKUP (5 : 1)



- NOTES 1 REEL: 1000 CONNECTORS.
- 2 MINIMUM 10 COMPARTMENTS FROM BOTH REEL ENDS REMAIN EMPTY.
- 3 THIS PRODUCT HAS NO POLARITY TO TAPE AND REEL PACKAGING.

2	PET	TOP COVER TAPE	4	POLYIMIDE	(TAPE FOR VACUUM PICKUP)
1	PS	EMBOSSED CARRIER TAPE	3	(CONNECTOR)	
NO.	MATERIAL	FINISH, REMARKS	NO.	MATERIAL	FINISH, REMARKS
DRAWING FOR PACKING					
CODE NO. (OLD)		DRAWN		DESIGNED	CHECKED
CL		M. Takahashi		M. Sakabe	T. Yamamoto
		199.10.27		199.10.28	199.10.28
DRAWING NO.		PART NO.		RELEASED	
EDC3-152100-02		FX11LA-68P-SV(22)			
SCALE		CODE NO.			
2 : 1		CL573-0042-1-22			
UNITS		HIROSE ELECTRIC CO., LTD			
mm					

TO	
PCK	