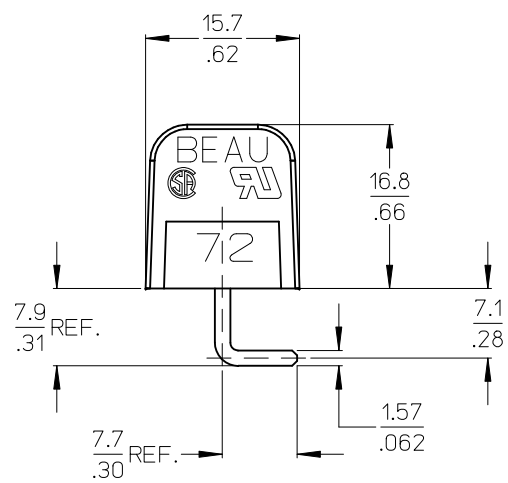
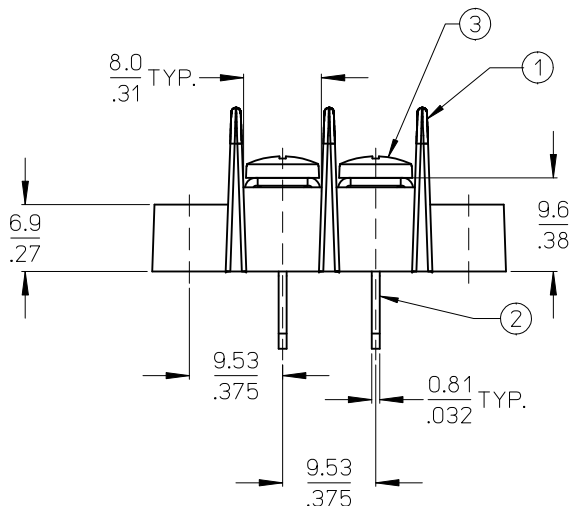
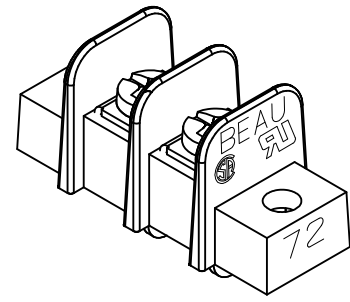
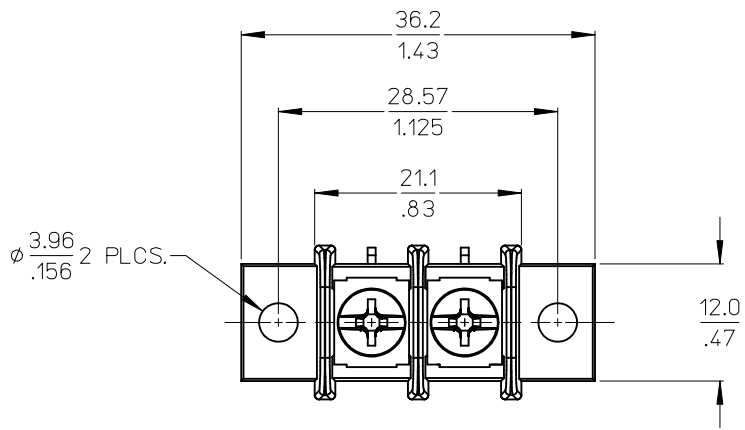


10 9 8 7 6 5 4 3 2 1



NOTES:
 1. MATERIAL: SEE TABLE.
 2. FINISHES: SEE TABLE.
 3. PRODUCT SPECIFICATION: NOT REQUIRED.
 4. ROHS COMPLIANT.

ITEM	QTY.	DESCRIPTION	MATERIAL	FINISH
3	2	SCREW,#6-32X.250 BHD,PHIL-SLOT,SS	STAINLESS STEEL	PASSIVATED
2	2	TERMINAL, WW, LONG	BRASS	TIN PLATE
1	1	INSULATOR, SR, PC, SOLID MTG.	POLYESTER (PBT)	BLACK

CHANGE SCREW, REDRAWN
 EC NO: WINA2011-0086
 DRAWN: JENC INAS 2010/09/03
 CHKD: JENC INAS
 APPR: JMACNEIL 2011/05/06

DESCRIPTION
 REV
 QUALITY SYMBOLS
 ▼=0
 ▽=0

	GENERAL TOLERANCES (UNLESS SPECIFIED)	
	mm	INCH
4 PLACES	± ---	± ---
3 PLACES	± ---	± .005
2 PLACES	± 0.13	± .010
1 PLACE	± 0.3	± ---
ANGULAR ± 2 °		

DRAFT WHERE APPLICABLE
 MUST REMAIN WITHIN DIMENSIONS

DIMENSION STYLE
MM/IN
 DRAWN BY: JENC INAS
 DATE: 2010/09/01
 CHECKED BY: CLYORK
 DATE: 2010/09/01
 APPROVED BY: JMACNEIL
 DATE: 2011/05/06
 MATERIAL NO.
387291598

SCALE
2:1
 DESIGN UNITS
INCH
 THIRD ANGLE PROJECTION
 TITLE
**9.53/.375" SR BTS ASSY
 PCRA, SS SCREW,SOLID MTG
 (72802-E-56-R30-55)**
MOLEX INCORPORATED
 DOCUMENT NO.
SD-38729-1598
 SHEET NO.
1 OF 1

9 8 7 6 5 4 3 2 1