

THIS DRAWING IS UNPUBLISHED.

RELEASED FOR PUBLICATION

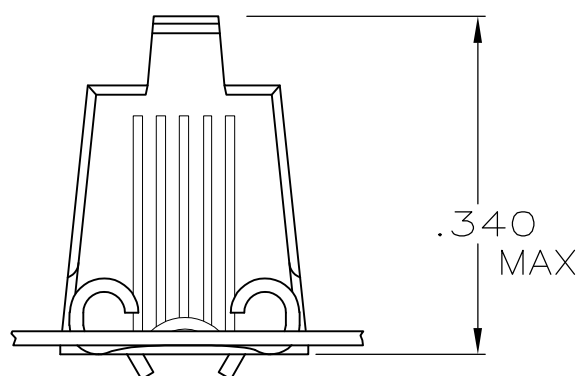
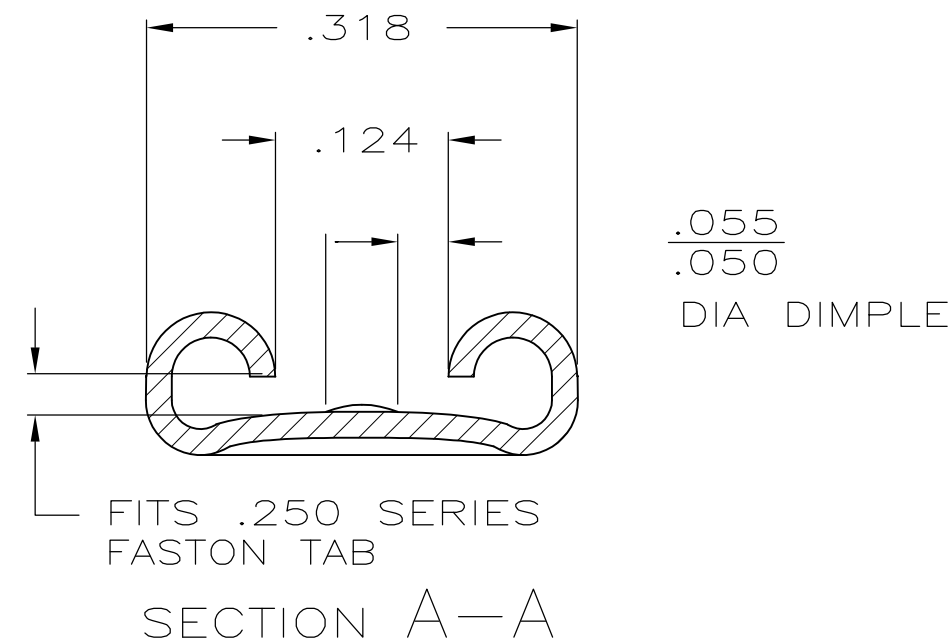
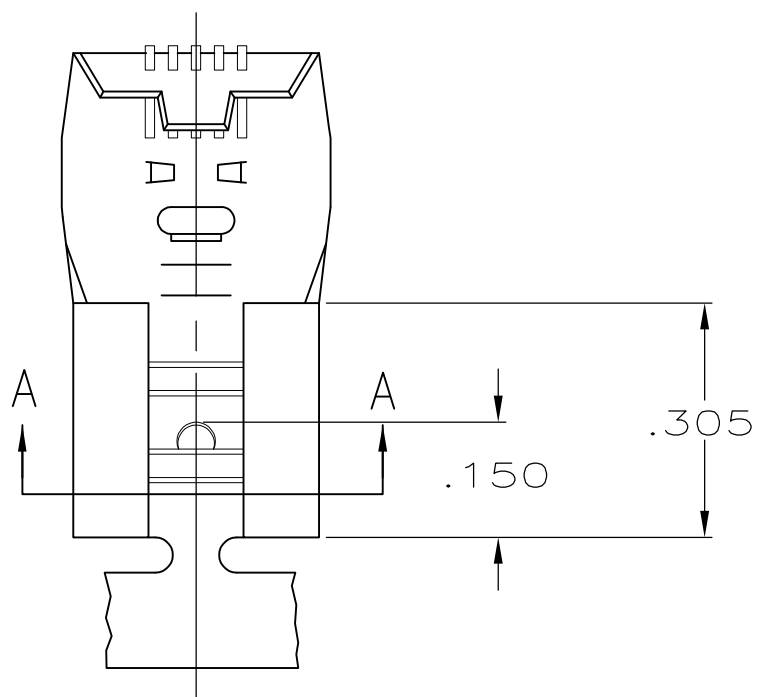
---

© COPYRIGHT - By -

ALL RIGHTS RESERVED.

LOC	DIST	REVISIONS					
AF	50	P	LTR	DESCRIPTION	DATE	DWN	APVD
		L		REVISED PER ECR-12-013459	28NOV2012	KH	PD

1 CONTINUOUS STRIP ON REELS.



18-12	.032 ±.001	TIN	BRASS	62021-3
18-12	.032 ±.001		.018 BRASS	62021-2
18-12	.032 ±.001	SILVER	.018 PHOS. BRONZE	62021-1
WIRE SIZE	TAB THK	FINISH	MATERIAL	PART NO

THIS DRAWING IS A CONTROLLED DOCUMENT.		DWN JR RUTH 2/3/86	<b>STE</b> TE Connectivity		
DIMENSIONS: INCHES		CHK M FEHER 2/6/86			
TOLERANCES UNLESS OTHERWISE SPECIFIED:		APVD C MEYERS 2/7/86	NAME .250 SERIES FLAG FASTON RECEPTACLE		
0 PLC ± -		PRODUCT SPEC	SIZE		
1 PLC ± -		APPLICATION SPEC	CAGE CODE		
2 PLC ± -		WEIGHT	DRAWING NO		
3 PLC ± .015		MATERIAL	RESTRICTED TO		
4 PLC ± -			A300779 C-62021		
ANGLES ± -		CUSTOMER DRAWING		SCALE	SHEET
FINISH		SEE TABLE		NTS	1 OF 1
SEE TABLE		SEE TABLE		REV	L