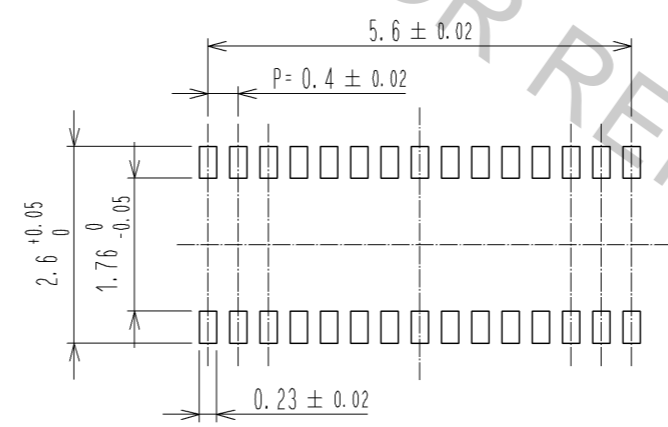
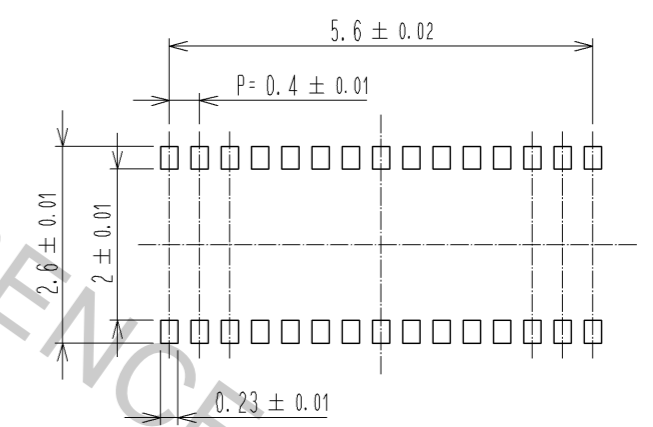


◆ RECOMMENDED PCB LAYOUT



◆ RECOMMENDED METAL MASK DIMENSIONS
METAL MASK THICKNESS: 100 μm

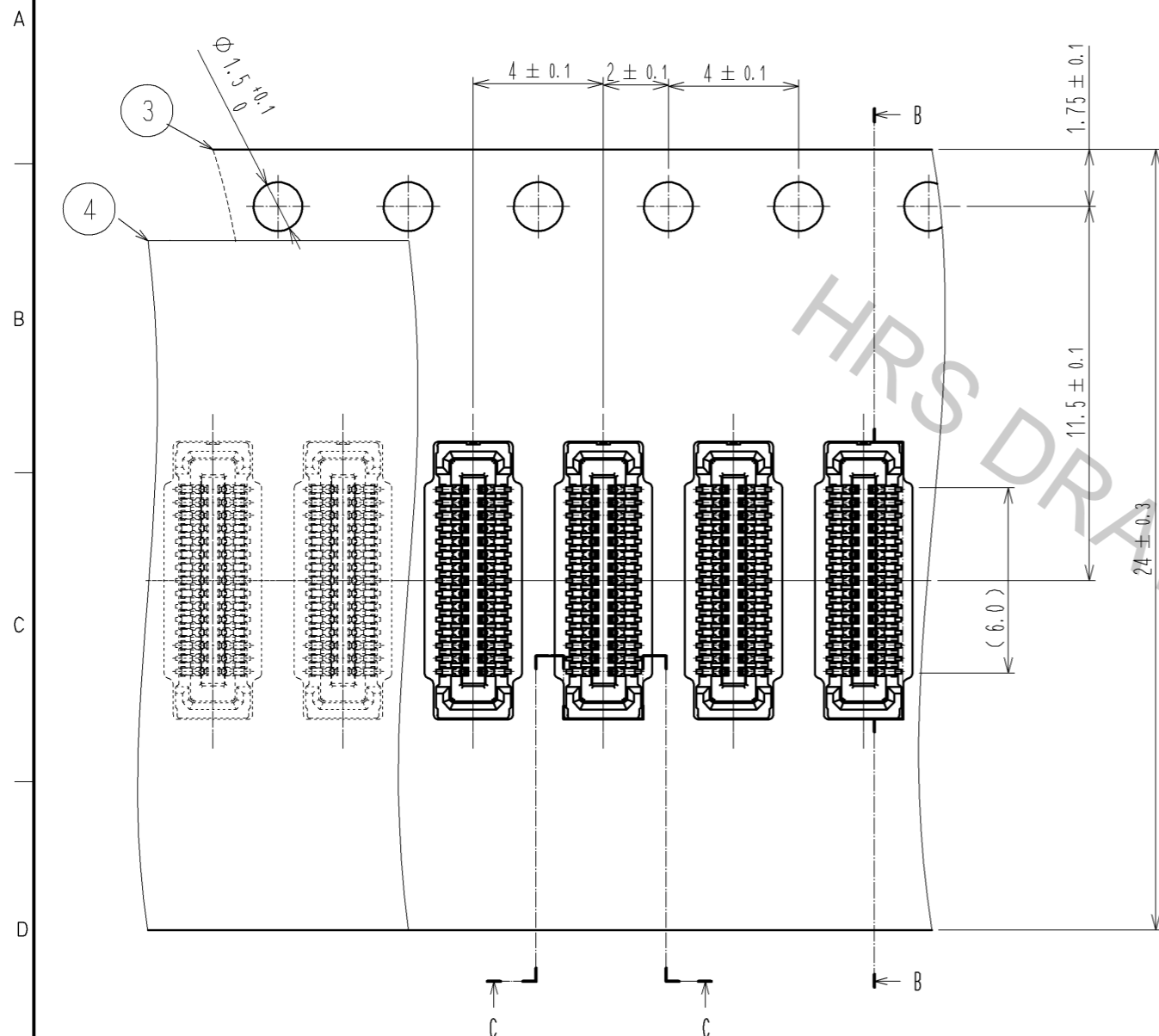


- NOTE 1 . ALL LEAD CO-PLANARITY SHALL BE 0.08mm MAX
- 2 CONTACT PLATING SPECIFICATIONS
CONTACT AREA : GOLD 0.05 μm MIN
SMT LEAD : GOLD 0.05 μm MIN
UNDERPLATING : NICKEL 1 μm MIN
(SURFACE : SEALING)
- 3 HRS MARK AND CAV NO. ARE INDICATED IN APPROX POSITION SHOWN.
- 4 GATE POSITION IS INDICATED IN APPROX POSITION SHOWN.

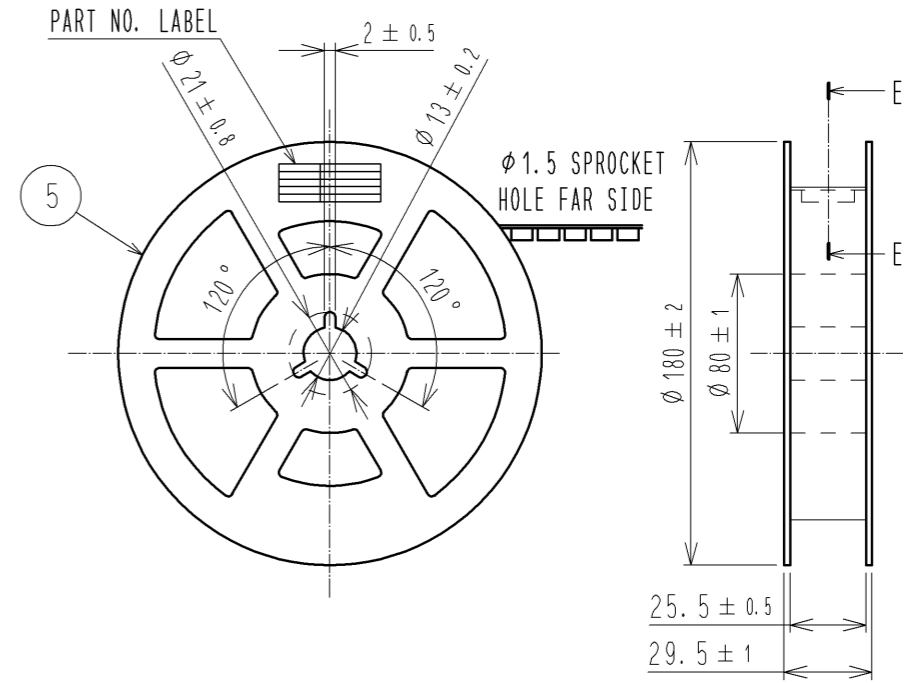
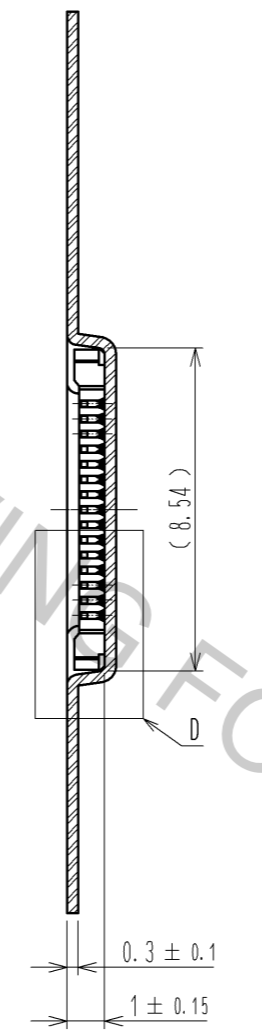
3	PS	CLEAR (EMBOSSED CARRIER TAPE)	6	PS	CLEAR (REINFORCEMENT COLLAR)			
2	PHOSPHOR BRONZE	2	5	PS	BLACK (PLASTIC REEL)			
1	LCP	UL94 V-0, BLACK	4	POLYESTER	CLEAR (COVER TAPE)			
NO.	MATERIAL	FINISH . REMARKS	NO.	MATERIAL	FINISH . REMARKS			
UNITS mm		SCALE 10 : 1	COUNT △	DESCRIPTION OF REVISIONS		DESIGNED	CHECKED	DATE
HRS HIROSE ELECTRIC CO., LTD.		APPROVED : MO. ISHIDA	14.08.25	DRAWING NO. EDC3-343758-01				
		CHECKED : TS. MIYAZAKI	14.08.25	PART NO. BM20JC-30DS-0.4V(53)				
		DESIGNED : RT. SHIMIZU	14.08.25	CODE NO. CL684-9024-0-53				
		DRAWN : KR. AJITO	14.08.25					

EMBOSSED CARRIER TAPE PACKAGING (5:1)

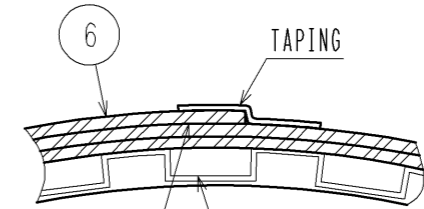
STYLE AND DIMENSION OF REEL (FREE)



B-B (5:1)



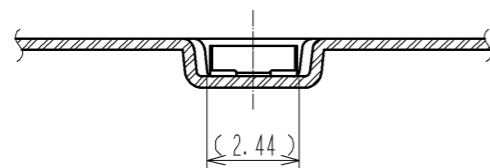
E-E (FREE)



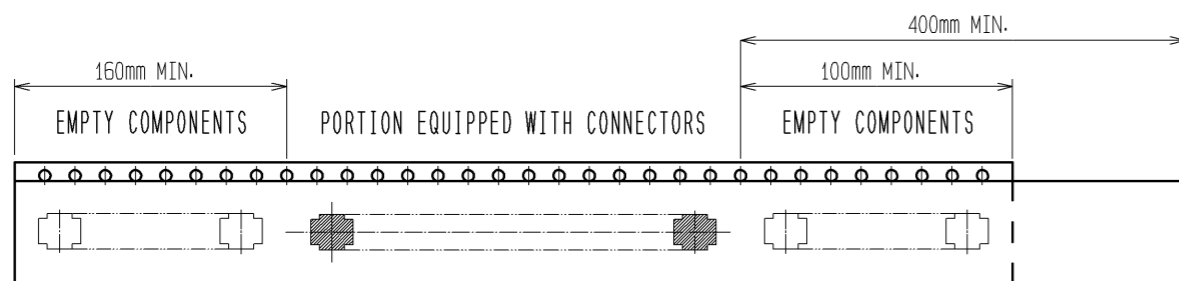
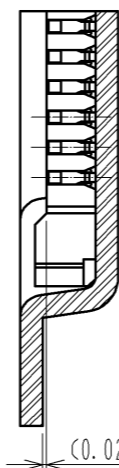
DETAIL OF PART NO. LABEL

製造年月日	** ** *
製品コード	CL0684-9024-0-53
製品名	BM20JC-30DS-0.4V(53)
数量	1,000
納入者	ヒロセ電機(株)

C-C (5:1)



D(10:1)



- 5. PER REEL 1000 CONNECTORS.
- 6. THE DIMENSIONS IN PARENTHESES ARE FOR REFERENCE.
- 7. REFER TO JIS C 0806(IEC 60286-3)(PACKAGING OF COMPONENTS FOR AUTOMATIC HANDLING)
- 8. AFTER PACKAGING, ROLL 2 METERS OF THE REINFORCEMENT COLLAR TO OUTER CIRCUMFERENCE OF TAPE AND REEL POCKET, AND TAPE DOWN AT THE END THE COLLAR.

7 TAPING(FREE)

HRS

DRAWING NO.	EDC3-343758-01
PART NO.	BM20JC-30DS-0.4V(53)
CODE NO.	CL684-9024-0-53

\triangle 2/2