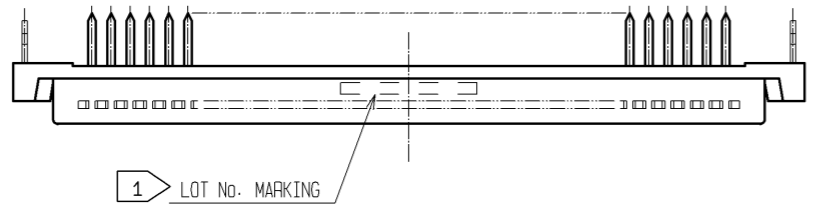
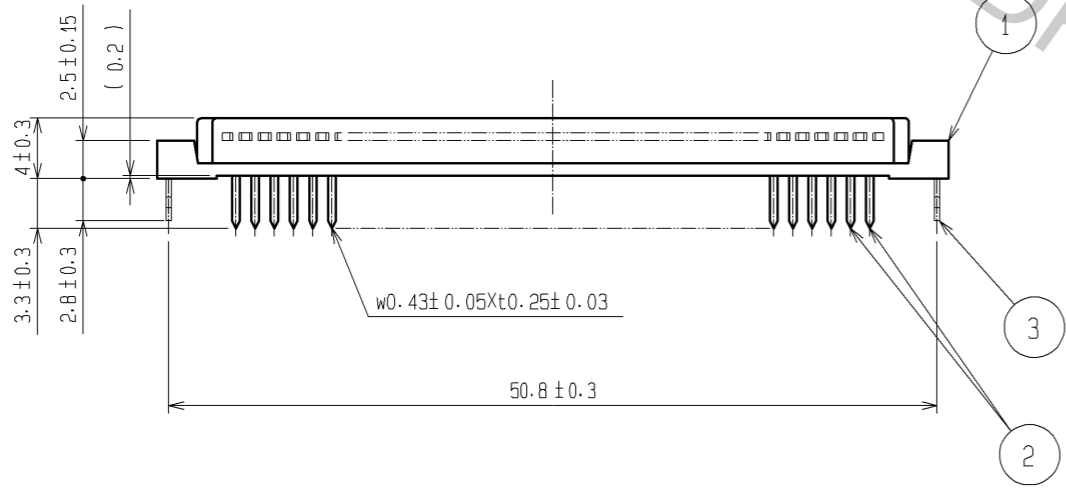
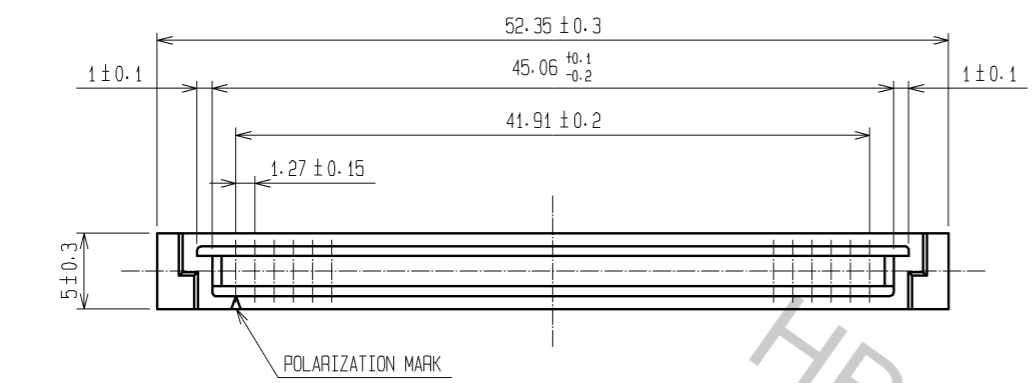
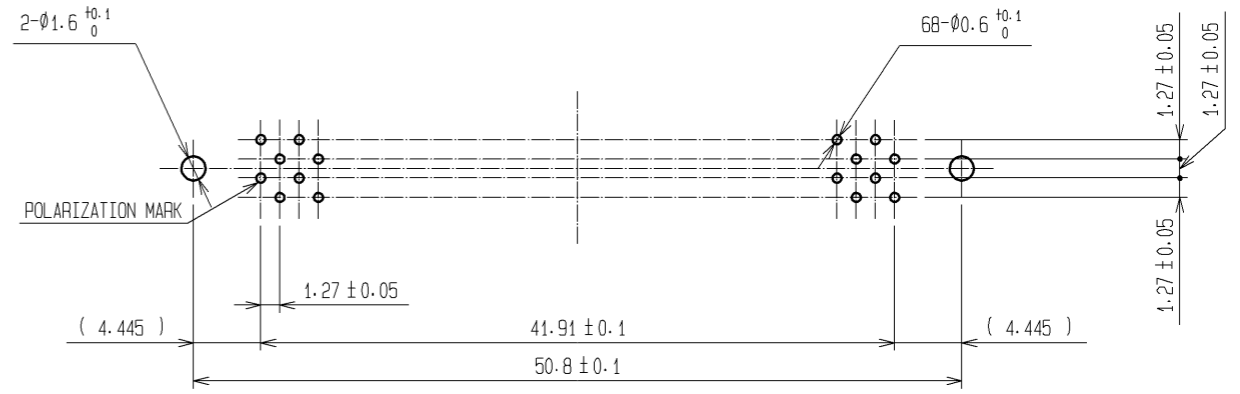


Apr.1.2017 Copyright 2017 HIROSE ELECTRIC CO., LTD. All Rights Reserved.



RECOMMENDED PC BOARD HOLE PATTERN  
(MOUNTING SIDE)



NOTES 1 LOT No. SHALL BE INDICATED AT OPTIONAL POSITION.  
2 THE DIMENSIONS IN PARENTHESES ARE FOR REFERENCE.

3	PHOSPHOR BRONZE	TIN-PLATING		3	PHOSPHOR BRONZE	CONTACT AREA:GOLD 0.2µm min.		
1	POLYAMIDE	BEIGE	UL94V-0			DIP AREA:TIN-PLATING 1.2µm min.		
						UNDER PLATING:NICKEL 1µm min.		
NO.	MATERIAL	FINISH	REMARKS	NO.	MATERIAL	FINISH . REMARKS		
UNITS	⊕	SCALE	COUNT	DESCRIPTION OF REVISIONS		DESIGNED	CHECKED	DATE
mm		2 : 1	△					
<b>HRS</b> HIROSE ELECTRIC CO., LTD.		APPROVED : HS. OKAWA	10. 11. 05	DRAWING NO.		EDC3-082923-21		
		CHECED : HT. YAMAGUCHI	10. 11. 05	PART NO.		FX4C-68P-1. 27DSAL ( 71 )		
		DESIGNED : SY. KAMIGA	10. 11. 05	CODE NO.		CL574-0056-2-71		△ 1/1
		DRAWN : YJ. ASAO	10. 11. 05					