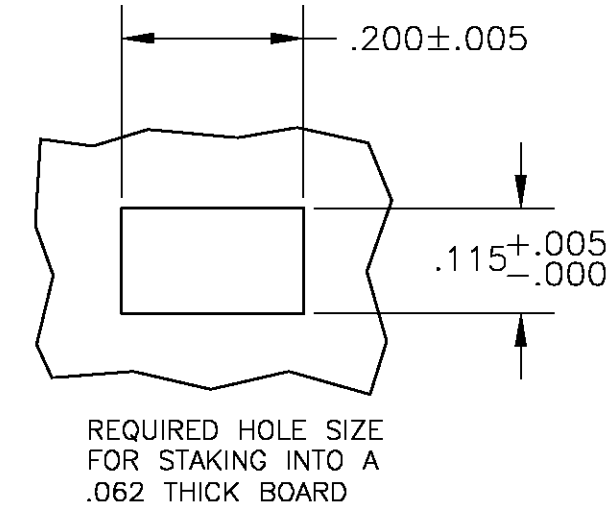
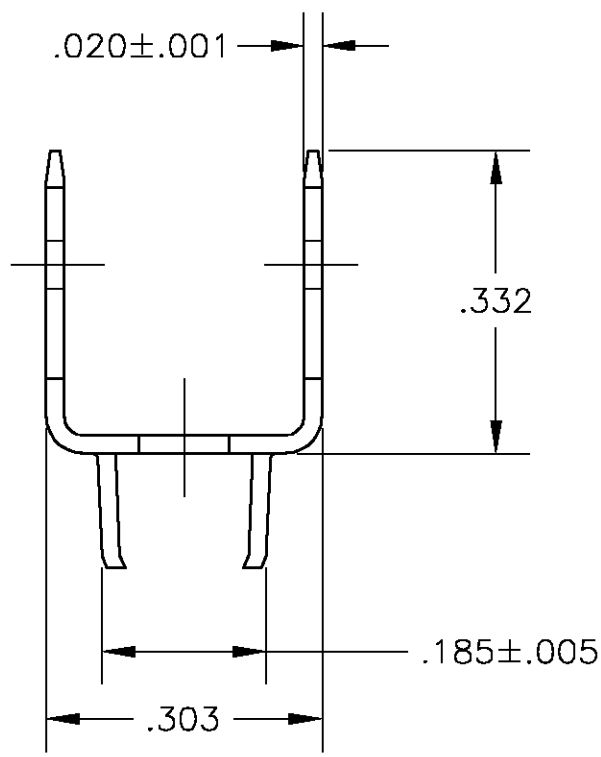
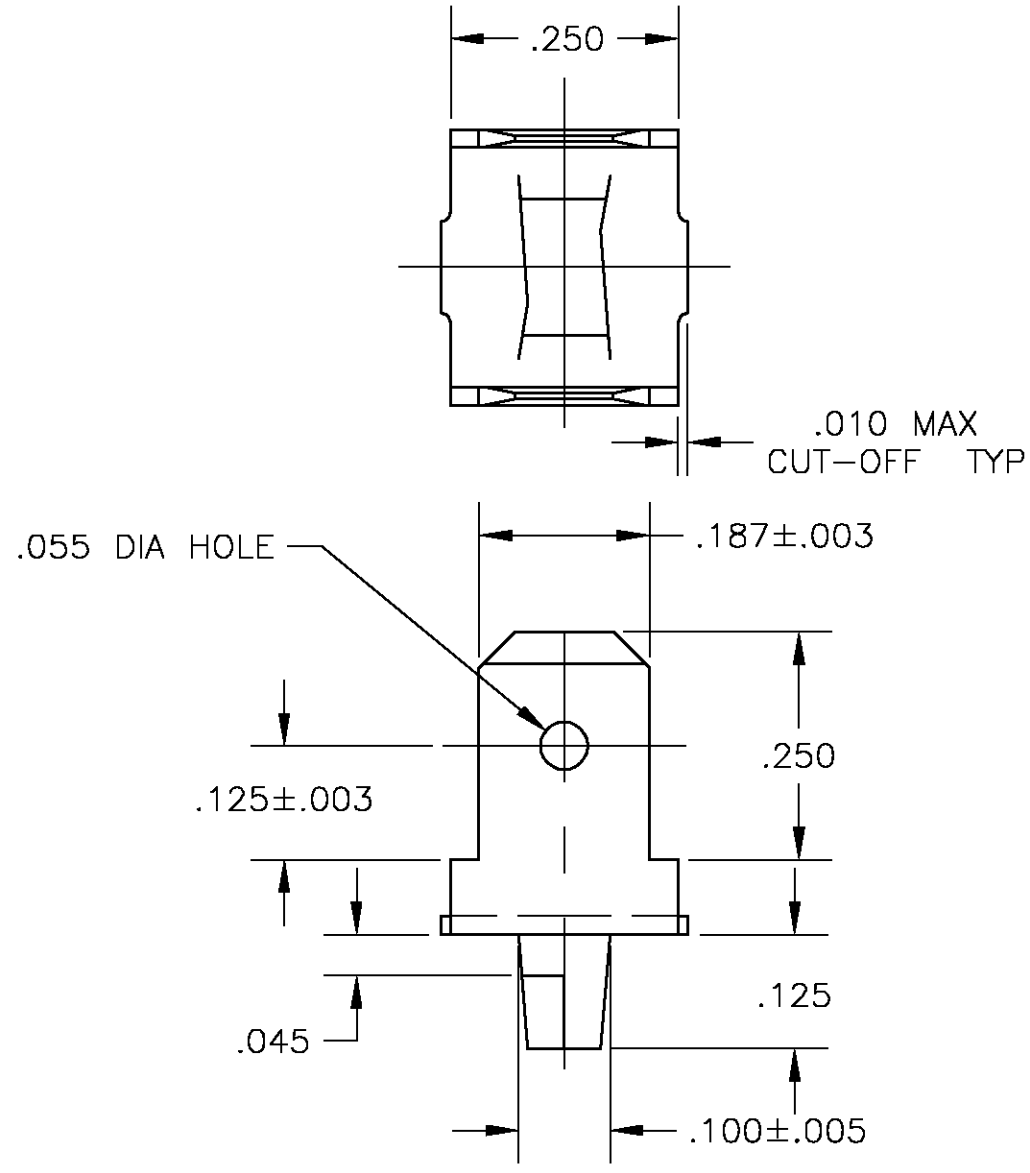


THIS DRAWING IS UNPUBLISHED. RELEASED FOR PUBLICATION
 © COPYRIGHT BY TYCO ELECTRONICS CORPORATION. ALL RIGHTS RESERVED.

LOC	DIST	REVISIONS				
P	LTR	DESCRIPTION	DATE	DWN	APVD	
AF	50	B	REL PER 0G3A-0208-03	04APR03	JR ND	

1 SUPPLIED IN LOOSE PIECE
 ⚠ .000150 MIN TIN PLATE OVER
 .000100 MIN COPPER.



62705-1
 PART NO.

THIS DRAWING IS A CONTROLLED DOCUMENT.		DWN	JR RUTH	15FEB02	 Tyco Electronics Corporation Harrisburg, PA. 17057	
DIMENSIONS: INCHES		CHK	MS FEHER	15FEB02		
		APVD	N DEIBERT	15FEB02		
TOLERANCES UNLESS OTHERWISE SPECIFIED: 0 PLC ± - 1 PLC ± - 2 PLC ± - 3 PLC ± .015 4 PLC ± - ANGLES ± - MATERIAL 081 BRASS FINISH - ⚠		PRODUCT SPEC	NAME			TAB, FASTON, DUAL, STAKE, .187 SERIES
MATERIAL 081 BRASS		APPLICATION SPEC	SIZE		A3 00779 Ⓢ-62705	
CUSTOMER DRAWING		WEIGHT	CAGE CODE	DRAWING NO		RESTRICTED TO
		SCALE	5:1	SHEET	1 OF 1	REV B