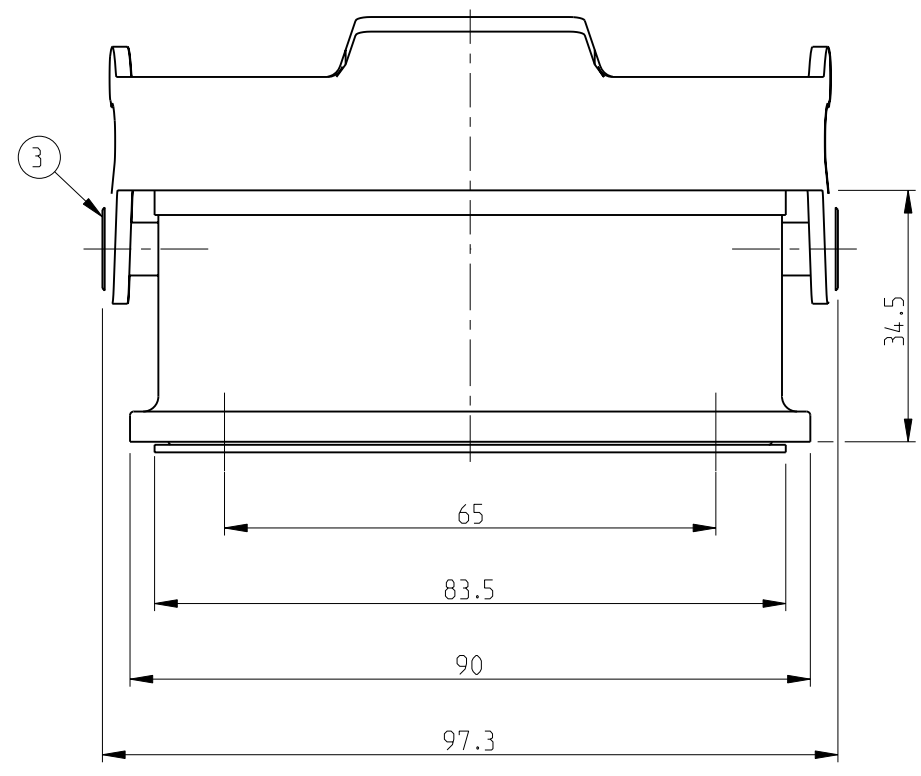
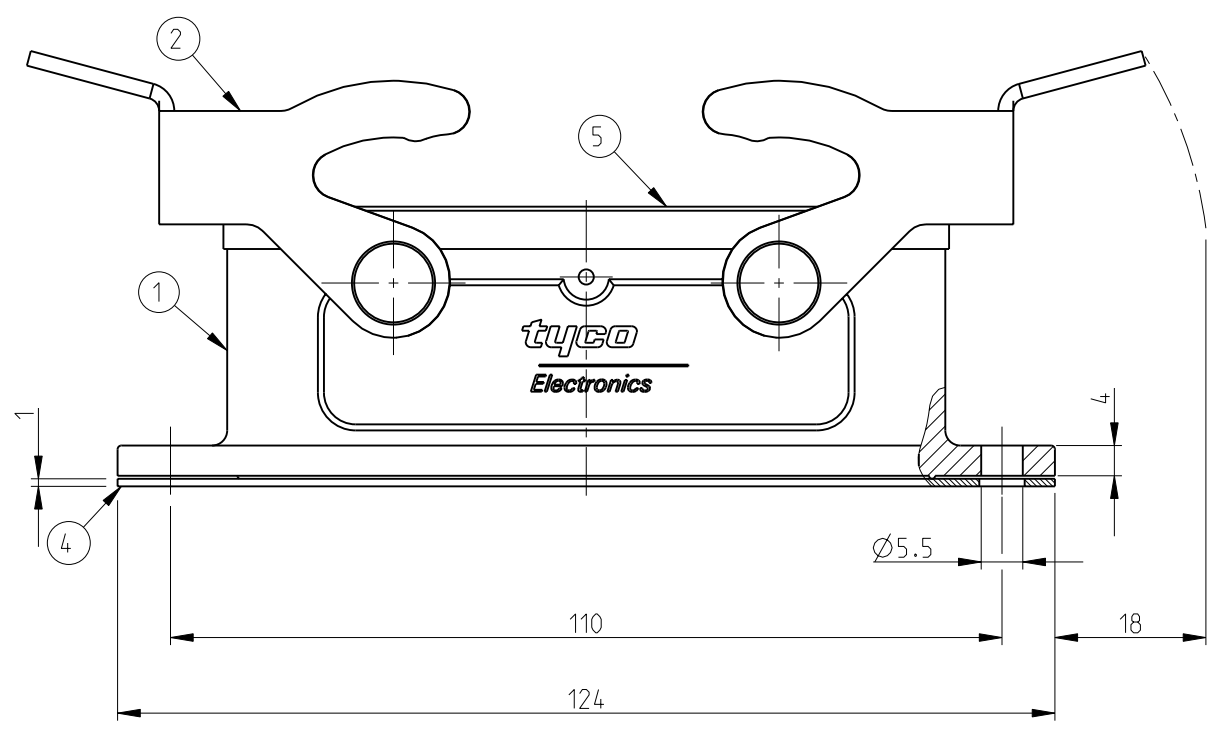


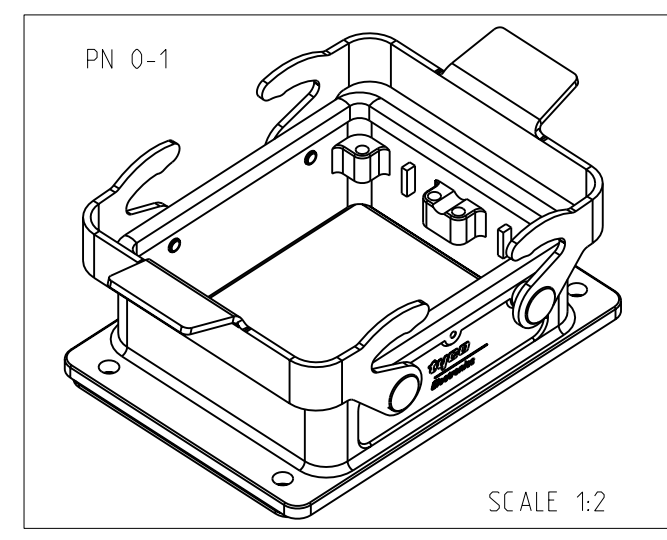
THIS DRAWING IS UNPUBLISHED. RELEASED FOR PUBLICATION .1997
 © COPYRIGHT 1997 BY TYCO ELECTRONICS CORPORATION. ALL RIGHTS RESERVED.

LOC	DIST	REVISIONS				
P	LTR	DESCRIPTION	DATE	DWN	APVD	
A1	-	A3	Released as per ECR-07-030428	17.12.07	SP	TS

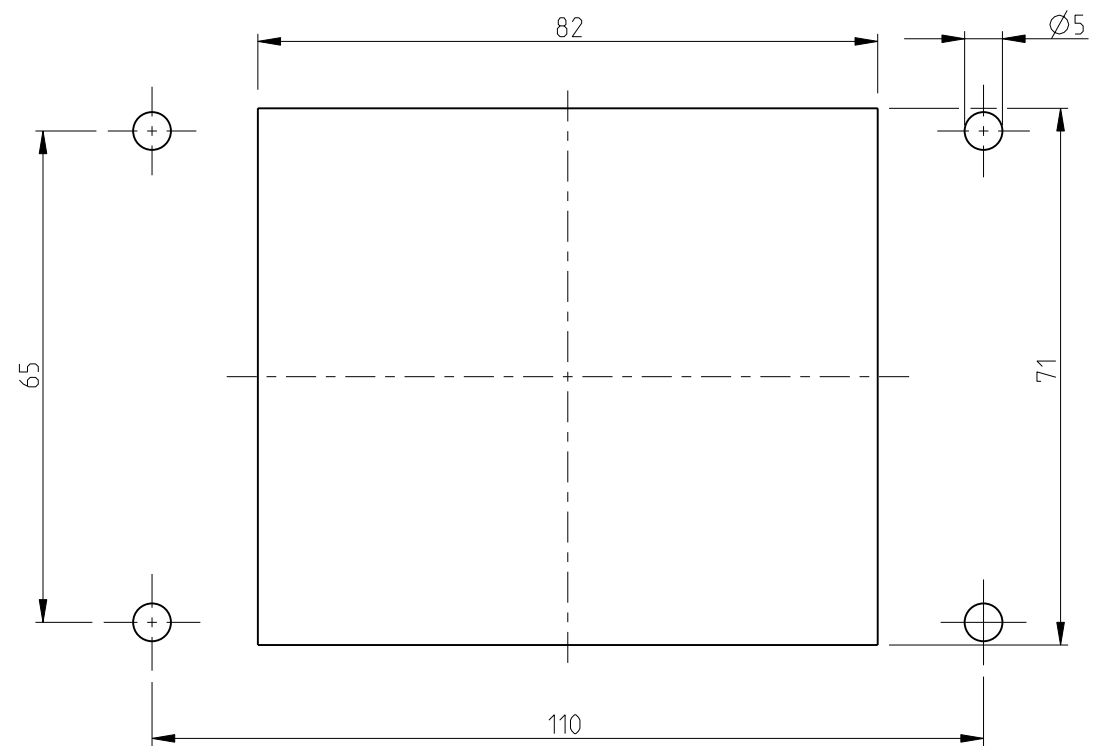
PN 0-1



- NOTES
- Material:Housing:Aluminium Diecasting Alloy
Seals Neoprene
 - Surface:Aluminium oxide + Varnish black
- Grey
 - Varnish on the inside not necessary
 - Packaging Quantity 5 Pieces in a box



PANEL CUT-OUT



0-1	DESCRIPTION	MATERIAL	SURFACE	COLOR	ITEM NO	REMARKS
1	Profile seal	Neoprene	-	Black	5	-
1	Flange mounted seal	Rubber	-	Black	4	-
4	Clip positioner HB-LB	Steel	-	-	3	-
2	Catch handle HB 32	Steel	-	-	2	-
1	Surface mounted housing bottom entry HB 32	Aluminium	-	Grey	1	-

ORDERING TEXT		HB.32.AG-VS			
DWN	Schneider	10.04.00	Tyco Electronics.AMP.GmbH D-53819.Neunkirchen.Germany		
CHK	Schweiger	10.04.00			
APVD	-	-	NAME		
PRODUCT SPEC			Surface mounted housing bottom entry		
APPLICATION SPEC			HB.32.AG-VS		
WEIGHT	-	SIZE	CAGE CODE	DRAWING NO	RESTRICTED TO
CUSTOMER DRAWING		A3	00779	©=1108765	-
SCALE		SHEET		OF	REV
1:1		1		1	A3

THIS DRAWING IS A CONTROLLED DOCUMENT FOR TYCO ELECTRONICS CORPORATION
 IT IS SUBJECT TO CHANGE AND THE CONTROLLING ENGINEERING ORGANIZATION
 SHOULD BE CONTACTED FOR THE LATEST REVISION.

DIMENSIONS:	TOLERANCES UNLESS OTHERWISE SPECIFIED:
mm	n:ISO 8015 m:ISO 2768-mS h:DIN 16901-120
	0 PLC ±
	1 PLC ±
	2 PLC ±
	3 PLC ±
	4 PLC ±
	ANGLES ±
MATERIAL	FINISH