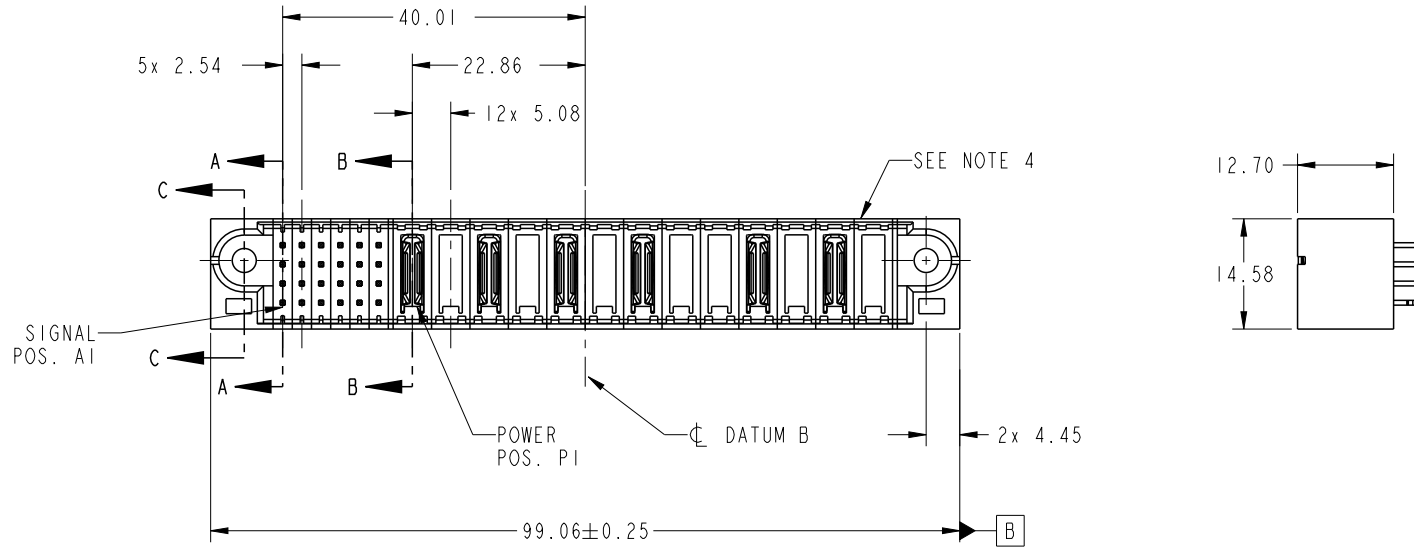


PRODUCT NO.	ROWS	SIGNAL						POWER													E2
		E1	1	2	3	4	5	6	P1	P2	P3	P4	P5	P6	P7	P8	P9	P10	P11	P12	
51952-241-- NOTE ③	D C B A	E E						PA	X	PA	X	PA	X	PA	X	X	PA	X	PA	X	



CODE	DIM "M" MATING LENGTH	CONTACT TYPE
PA	[N/A]	POWER
E	[6.86]	SIGNAL
H	[5.59]	SIGNAL
HA	[N/A]	HOLD-DOWN
X	[N/A]	OMITTED

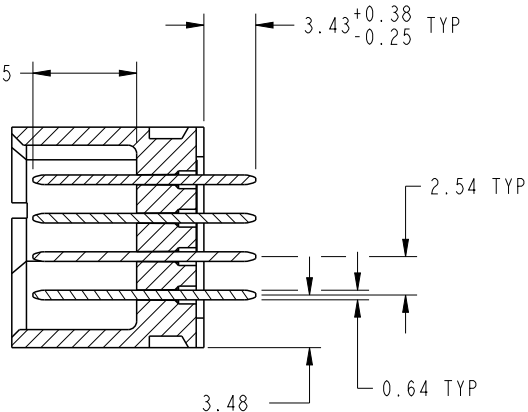
spec ref	See Notes			dr	Ruan MT	2013/04/08	projection 	MM ←→	size	A4	scale	1:1	
tolerance std	TOLERANCES UNLESS OTHERWISE SPECIFIED			eng	Ruan MT	2013/05/21			ecn no	-			
See Notes				chr	-	-			product family	PwrBlade		rel level	Released
surface	✓	linear	0.X	±0.50	FCI www.fci.com	title	24S + 13DCP VERTICAL SOLDER HEADER		dwg no	51952-241		rev	A
			0.XX	±0.25									
			0.XXX	±0.10									
		angular	0°	±2°	cat. no.	&model_name	Product - Customer Drw			sheet 1 of 4			



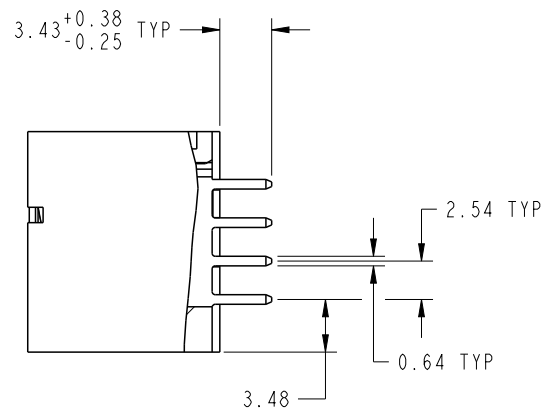
PRODUCT NUMBER

51952-241 --
NOTE 3

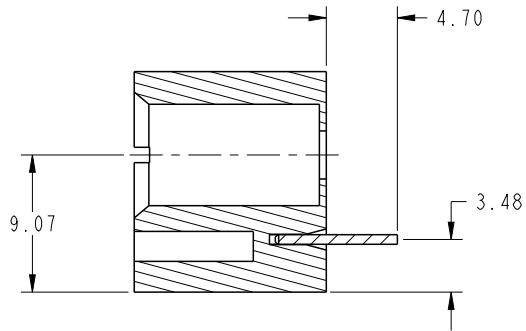
DIM "M" ±0.25



SECTION A-A
SCALE 2:1



SECTION B-B
SCALE 2:1



SECTION C-C
SCALE 2:1

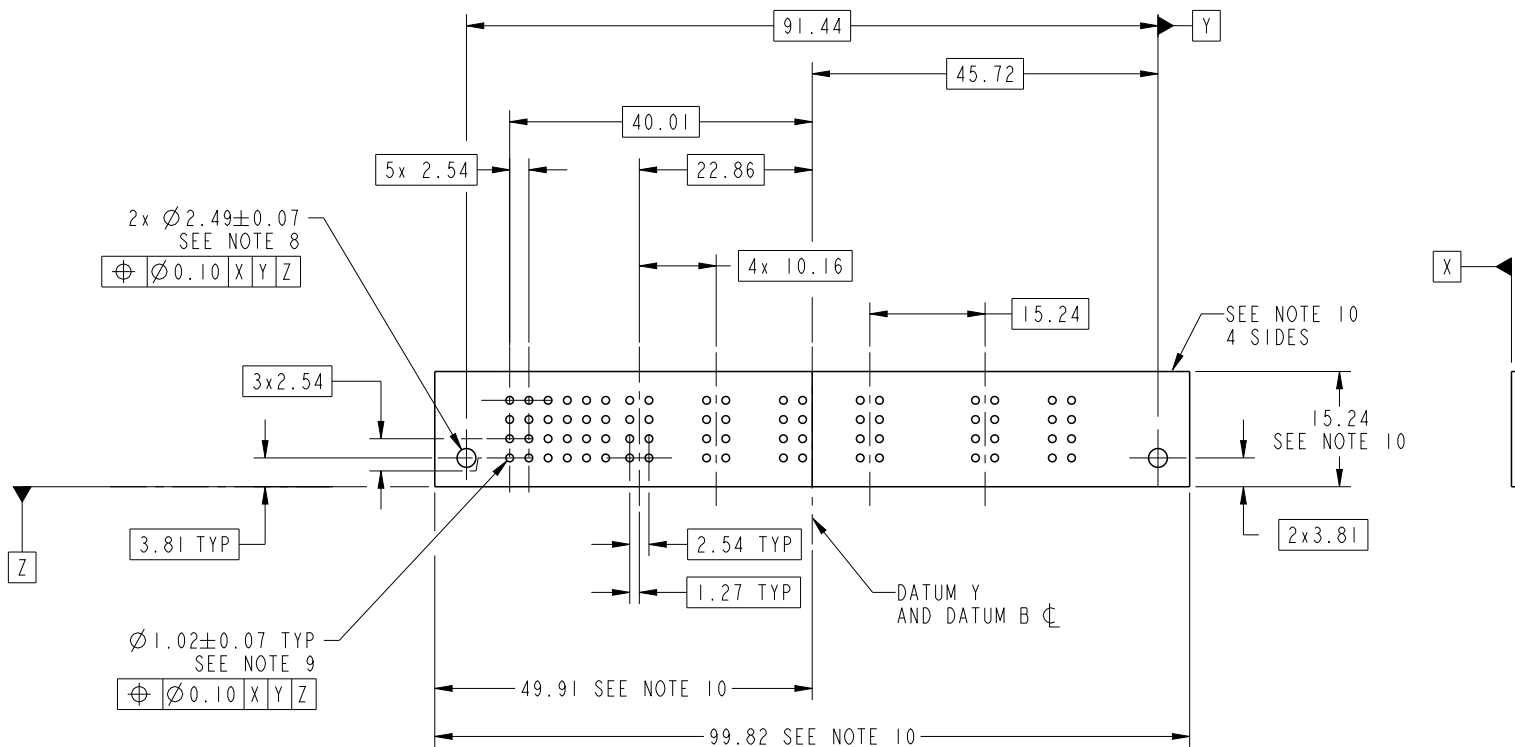
dr	Ruan MT	2013/04/08	projection 	MM 	size	A4	scale	1:1
eng	Ruan MT	2013/05/21			ecn no	-		
chr	-	-			rel level	Released		
appr	Pei-Ming Zheng	2013/05/21	product family	PwrBlade				
		title 24S + 13DCP VERTICAL SOLDER HEADER	dwg no 51952-241	rev A				
www.fci.com		cat. no.	&model_name	Product - Customer Drw	sheet 2 of 4			



Copyright FCI.

PRODUCT NUMBER

51952-241 --
NOTE 3



RECOMMENDED PCB LAYOUT

dr	Ruan MT	2013/04/08	projection 	MM 	size	A4	scale	1:1
eng	Ruan MT	2013/05/21			ecn no	-		
chr	-	-			rel level	Released		
appr	Pei-Ming Zheng	2013/05/21	product family	PwrBlade				
	title	24S + 13DCP VERTICAL SOLDER HEADER		dwg no	51952-241		rev	A
www.fci.com	cat. no.	&model_name	Product - Customer Drw		sheet 3 of 4			

PRODUCT NUMBER

51952-241 --
NOTE 3

NOTES:

1. DIMENSIONS AND TOLERANCES ARE IN ACCORDANCE WITH ASME Y14.5M, 1994 UNLESS OTHERWISE SPECIFIED.

CONNECTOR NOTES:

- 2 HOUSING MATERIAL: UL 94 V-0 GLASS FILLED HIGH-TEMP THERMOPLASTIC
POWER CONTACT MATERIAL: COPPER ALLOY
SIGNAL PIN MATERIAL: COPPER ALLOY
- 3. SEE ITEM 1 & 2 IN PRINT 10064183 FOR PLATING SPEC OF 51952-241 AND 51952-241LF RESPECTIVELY.

4 MANUFACTURER'S NAME, DATE CODE AND OPTIONAL P/N TO APPEAR ON THIS SURFACE. THE MARK CAN BE OMITTED IF THERE IS NOT ENOUGH SPACE ON THIS SURFACE.

5. PRODUCT SPECIFICATION GS-12-149.
APPLICATION SPECIFICATION BUS-20-067.

6. PACKAGED IN TRAYS.

PCB NOTES:

- 7. ALL HOLE DIAMETERS ARE FINISHED HOLE SIZE.
- 8. MOUNTING HOLES, WHERE APPLICABLE, ARE UNPLATED.

9 $\varnothing 1.151 \pm 0.025$ DRILLED HOLES PLATED WITH 0.008 MIN SnPb OR Sn OVER .001 [0.03] TO 0.08 Cu PLATING TO ACHIEVE $\varnothing 1.02 \pm 0.07$ HOLE.

10 CONNECTOR KEEP-OUT ZONE.



Copyright FCI.

dr	Ruan MT	2013/04/08	projection 	MM 	size	A4	scale	1:1	
eng	Ruan MT	2013/05/21			ecn no	-			
chr	-	-							
appr	Pei-Ming Zheng	2013/05/21	product family	PwrBlade	rel level	Released			
		title	24S + 13DCP VERTICAL SOLDER HEADER		dwg no	51952-241		rev	A
www.fci.com		cat. no.	&model_name	Product - Customer Drw		sheet 4 of 4			