

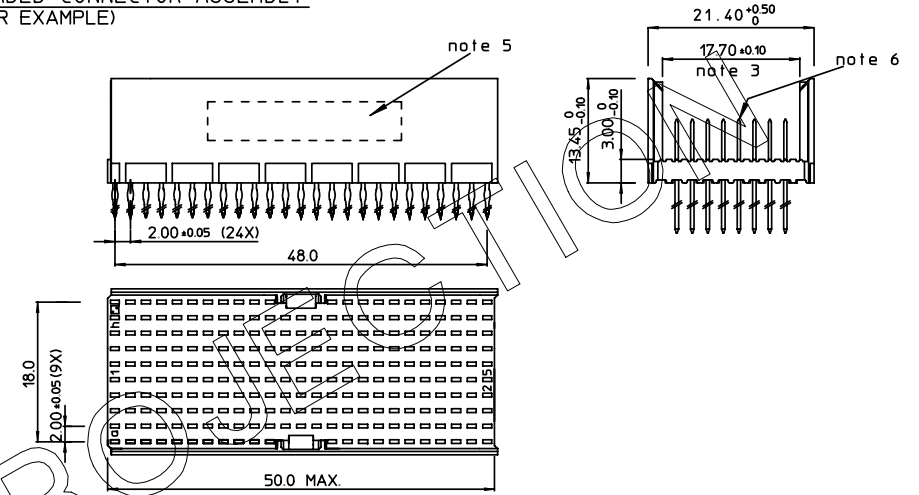
GEN. ST.	01	02	03	04	05	06	07	08	0D	50	60	70	80	90																	
INT. ST.	10	11	12	13	14	18	20	31	32	33	34	38	39	40	42	43	44	45	46	48	56	70	72	73	75	76	81	82	83	84	88

REV.	DATE	DESCRIPTION	BY	C'K'D'
A	2001-09-14	CONVERSION REVISION 01	KN	
B	2005-10-26	105-0201	VIVEK	BKP
C	2006-08-05	106-0143	VIVEK	BKP

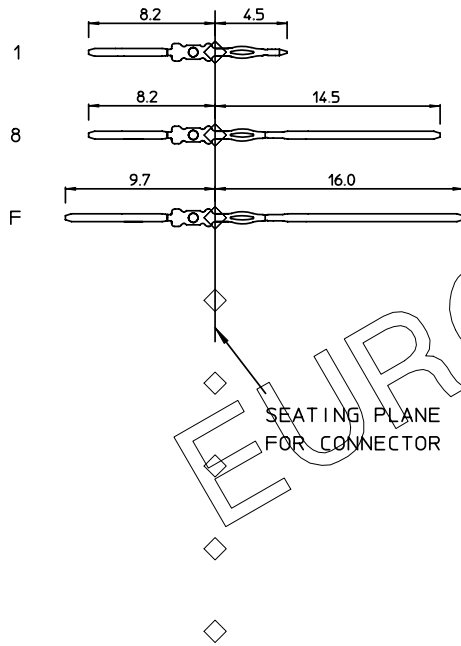
**LOADING PATTERN MATING SIDE**

y	0	0	0	0	0	0	0	0	0	0	0	0	0	0	0	0	0	0	0	0	0	0	0	0	0	0	0	0	0	0
h	8	8	8	8	8	8	8	8	8	8	8	0	0	0	0	0	0	0	0	0	0	8	8	8	8	8	8	8	8	8
g	8	8	8	8	8	8	8	8	8	8	8	0	0	0	0	0	0	0	0	0	0	8	8	8	8	8	8	8	8	8
f	8	8	8	F	F	8	8	F	F	8	8	F	0	0	0	0	0	0	0	0	0	F	F	F	F	F	F	F	F	F
e	8	8	8	8	8	8	8	8	8	8	8	0	0	0	0	0	0	0	0	0	0	8	8	8	8	8	8	8	8	8
d	8	1	1	8	8	1	1	8	8	1	1	8	0	0	0	0	0	0	0	0	0	8	8	8	8	8	8	8	8	8
c	8	F	F	1	1	F	F	1	1	F	F	F	0	0	0	0	0	0	0	0	F	F	F	F	F	F	F	F	F	
b	8	1	1	8	8	1	1	8	8	1	1	8	0	0	0	0	0	0	0	0	0	8	8	8	8	8	8	8	8	8
q	8	8	8	1	1	8	8	1	1	8	8	8	0	0	0	0	0	0	0	0	8	8	8	8	8	8	8	8	8	
z	0	0	0	0	0	0	0	0	0	0	0	0	0	0	0	0	0	0	0	0	0	0	0	0	0	0	0	0	0	
<b>SOP</b>	0	1	0	5	0	1	5	0	2	0	2	5	0	0	0	0	0	0	0	0	0	0	0	0	0	0	0	0	0	

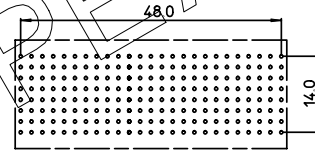
**LOADED CONNECTOR ASSEMBLY (FOR EXAMPLE)**



**CONTACT OVERVIEW**



**LAY-OUT P.C.B.-HOLE**



LEAD FREE INDICATOR : LF = LEAD FREE (DIGIT 15 & 16)

HM2P95PNE150

PLATING CODE (DIGIT 13 AND 14) (REF DWG No. BS,C ,201844,003)

**NOTES:**

- THIS PRODUCT IS CSA APPROVED.
- THIS PRODUCT IS UL RECOGNIZED.
- MEASURED AT THE BOTTOM.
- MATERIAL CONTACT: PHOSPHORBRONZE  
HOUSING: CREAM WHITE GLASSFILLED POLYESTER UL-94V0
- CONNECTOR PRINTED WITH P/N AND DATE CODE.
- FOR ACTUAL CONTACT LOADINGS, SEE LOADING PATTERN MATING SIDE.
- SHAPE OF CONNECTOR HOUSING CAN ALTER DEPENDING ON PRODUCTION LOCATION.
- THE PRODUCT (LF) MEETS EUROPEAN UNION DIRECTIVES AND OTHER COUNTRY REGULATIONS AS DESCRIBED IN GS-22-008
- FOR RECOMMENDED PTH DIMENSIONS REFER DRAWING : BS,A ,201572,001

1DEC ±0.2 2DEC ±0.1 ANGLES ±1°	APPR.	DATE	SIGN.	LOADING PATTERN OVERVIEW (8+2 ROW)
	DRAFT	2000-07-31	M.Freit	CAT. No. HM2P95PNE150----
	CHECKED			SCALE
WE RESERVE THE RIGHT TO CHANGE DIMENSIONS OR REQUIREMENTS WITHOUT PRIOR NOTICE.	PROD. MGR			FCJ www.fciconnect.com
	PR. ENG MGR			
ALL DIMENSIONS IN MM	PR. MGT. MGR.			

**REFERENCES**

BS,C ,202175,180 C

DRAWING No. CUSTOMER DRAWING REVISION