

THIS DRAWING IS UNPUBLISHED. RELEASED FOR PUBLICATION 2008
 © COPYRIGHT 2008 BY TYCO ELECTRONICS CORPORATION. ALL RIGHTS RESERVED.

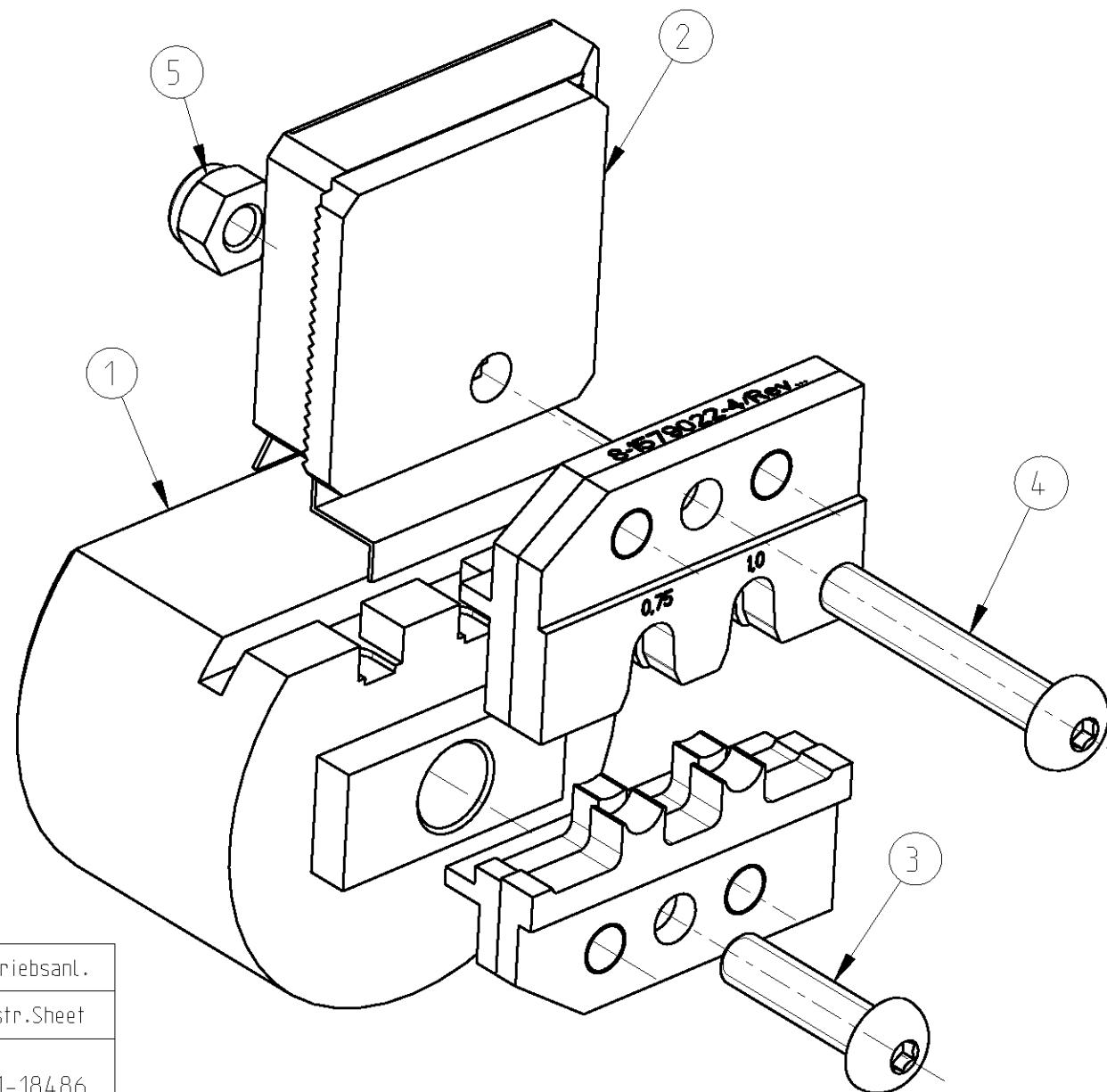
LOC	DIST	REVISIONS					
		P	LTR	DESCRIPTION	DATE	DWN	APVD
A1	-						

ERGOCRIMP DIE SET FOR MCON 2.8LL TERMINALS SWS - 0,75-1,0 mm²

Ersatzmatrize fuer Ergocrimp Handzange TE P/N 6-1579014-1
 Spare die set for Ergocrimp hand tool TE P/N 6-1579014-1

Matrize in Kombination mit Ergocrimp Basishandzange TE P/N 539635-1 verwendbar
 Spare die set usable in combination with Ergocrimp basis hand tool TE P/N 539635-1

Matrize im Karton mit Bedienungsanleitung 411-18486 verpackt
 Die set packed in a cardboard with instruction sheet 411-18486



8-1579022-4	1	3-0744013-7	Instruction Sheet	Bedienungsanleitung	6
	1	0-0519024-2	Nut M4 DIN 985	Mutter M4 DIN 985	5
	1	1-0519151-3	Screw M4x25	Schraube M4x25	4
	1	1-0519151-1	Screw M4x16	Schraube M4x16	3
	1	1-1579025-4	Locator Assembly	Drahtanschlag	2
	1	1-1579025-3	Contact Locator	Kontaktpositionierer	1
	QTY Stck	TE P/N	Description	Benennung	Pos.

Kontakt	DGB (mm ²)	Drahtcrimp / Wire Crimp		Isolationscrimp/Insulationcrimp		Isol.Ø	Betriebsanl.
Contact	Wire Range	Hoehe/Height mm	Breite/Width mm	Hoehe/Height mm	Breite/Width mm	Ins.Range	Instr.Sheet
1670803	0,75	1,18 ±0,05	2,03 F	4,20	4,06 0	1,4-2,1	411-18486
	1,00	1,27 ±0,05		4,50			

<small>THIS DRAWING IS A CONTROLLED DOCUMENT FOR TYCO ELECTRONICS CORPORATION IT IS SUBJECT TO CHANGE AND THE CONTROLLING ENGINEERING ORGANIZATION SHOULD BE CONTACTED FOR THE LATEST REVISION.</small>		DWN Ch.Witt 26.09.2008 CHK - APVD - PRODUCT SPEC - APPLICATION SPEC - WEIGHT 200 g		tyco Electronics tyco Electronics AMP GmbH D - 64625 Bensheim	
DIMENSIONS: mm 		TOLERANCES UNLESS OTHERWISE SPECIFIED: 0 PLC ± 1 PLC ± 2 PLC ± 3 PLC ± 4 PLC ± ANGLES ±1° MATERIAL - FINISH -		NAME ERGOCRIMP DIE SET FOR MCON 2.8LL TERMINALS SWS 0,75-1,0 mm ²	
		SIZE A3	CAGE CODE 00779	DRAWING NO. C-8-1579022-4	RESTRICTED TO -
CUSTOMER DRAWING			SCALE 2:1	SHEET 1 OF 1	REV A