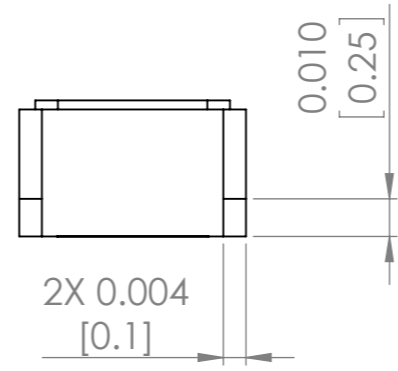
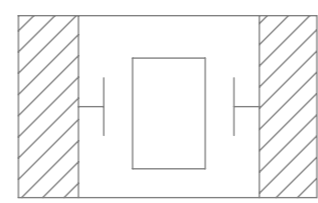
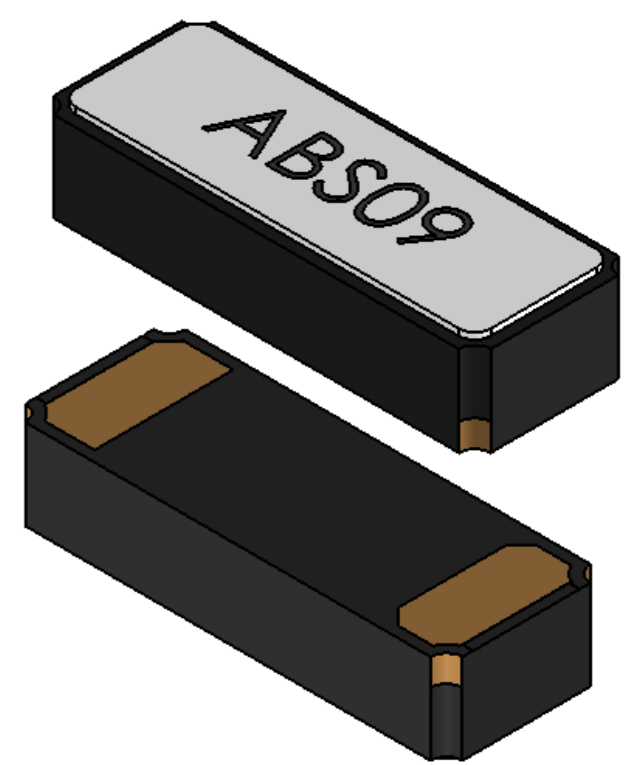
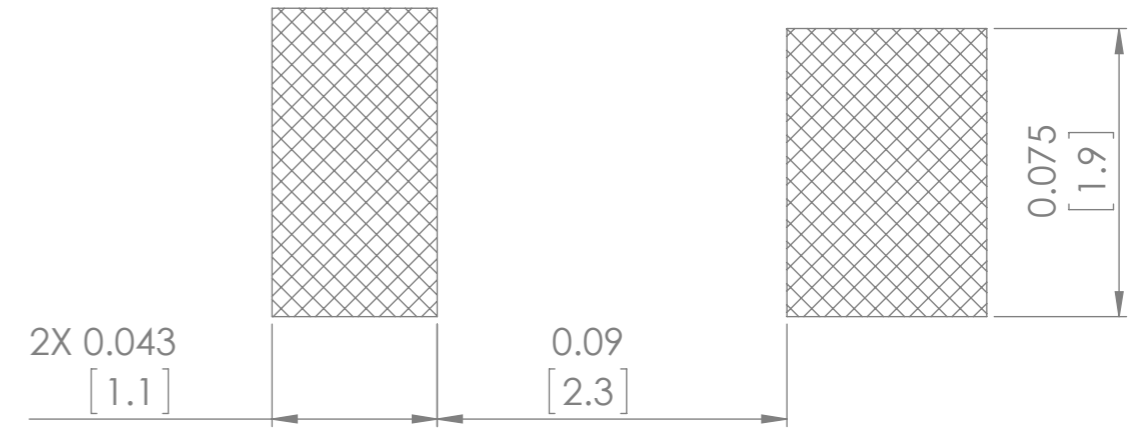



TOP PACKAGE MARKING IS FOR ILLUSTRATION PURPOSES ONLY

CONNECTIONS



Recommended land pattern



UNLESS OTHERWISE SPECIFIED: DIMENSIONS ARE IN INCH(MM) SURFACE FINISH: TOLERANCES: LINEAR: ANGULAR:				FINISH:		DEBUR AND BREAK SHARP EDGES		DO NOT SCALE DRAWING		REVISION -	
DRAWN SAAZVAT				SIGNATURE		DATE		 30332 Esperanza, Rancho Santa margarita, California 92688			
CHK'D XXXXXX											
APPV'D								TITLE: CRYSTAL			
MFG								DWG NO. ABS09			
Q.A						MATERIAL:		SCALE:20:1			
						WEIGHT:		SHEET 1 OF 1			
								A3			