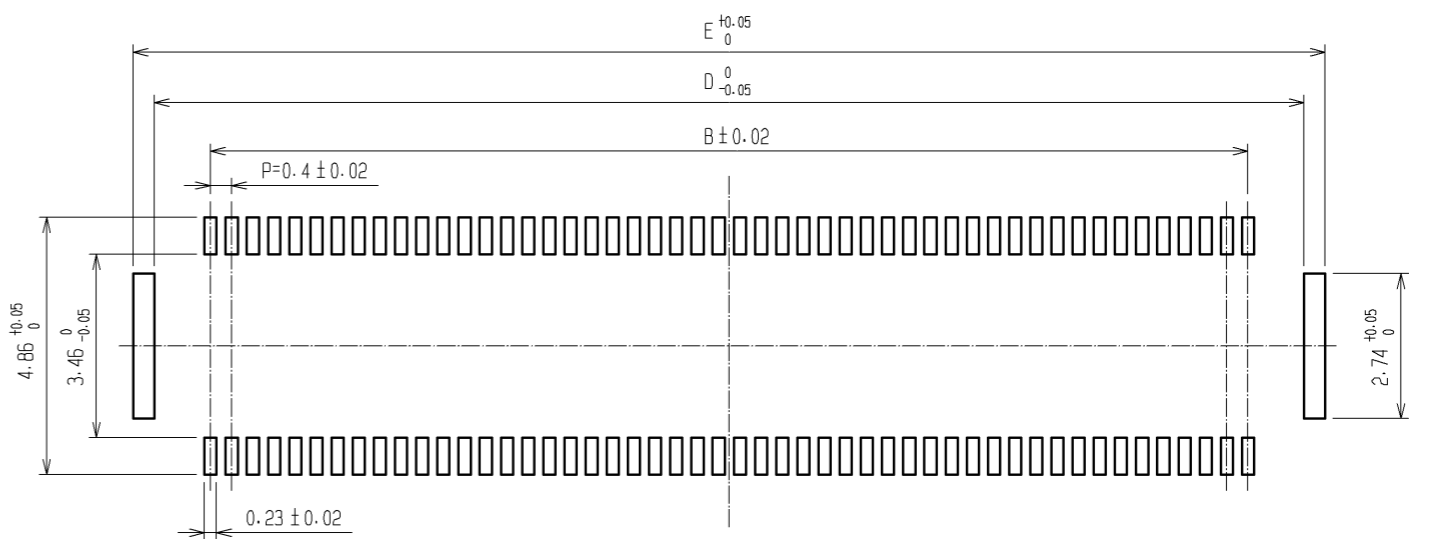
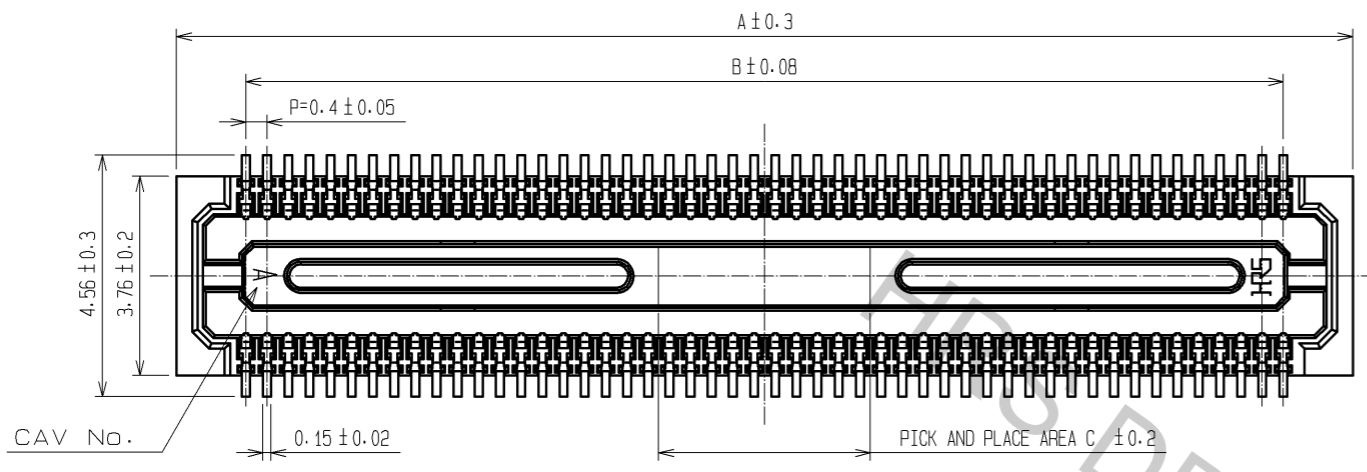
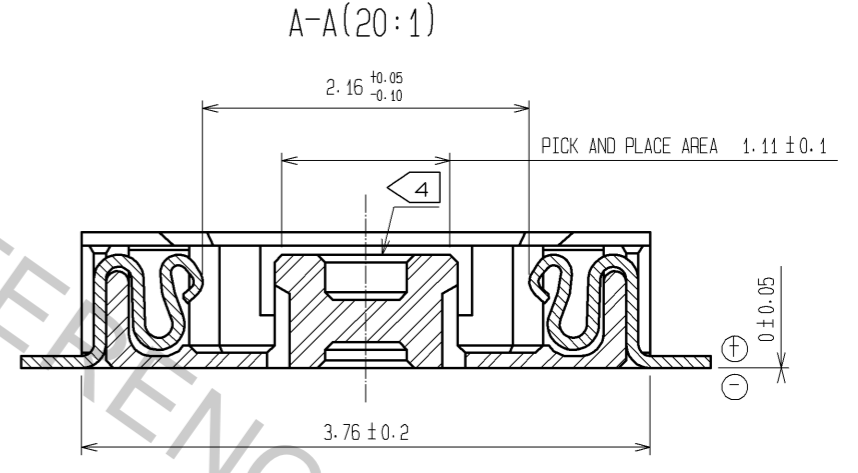
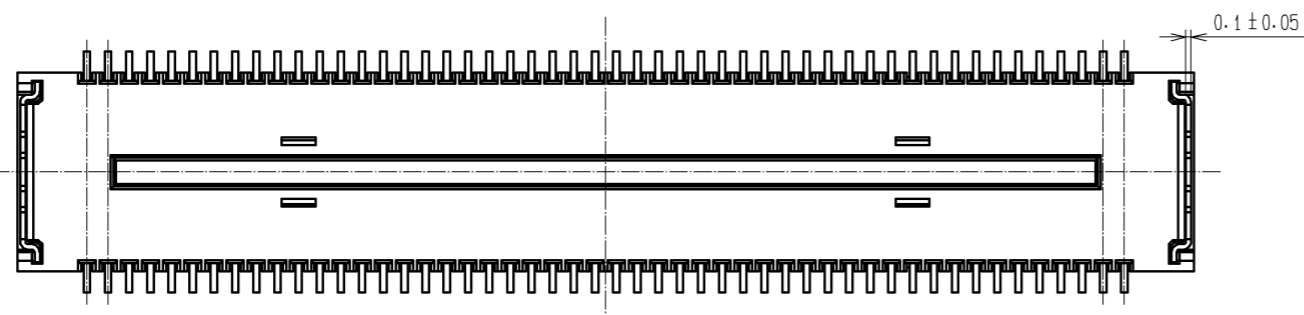
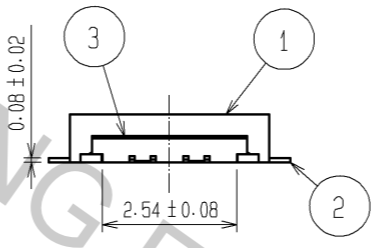
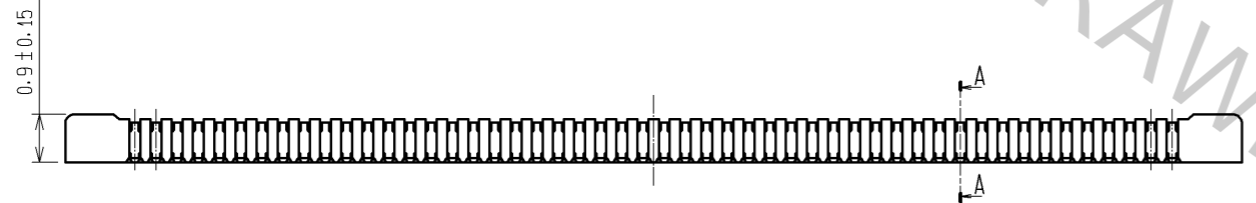


RECOMMENDED PATTERN



RECOMMENDED SOLDER PASTE : THICKNESS 120µm



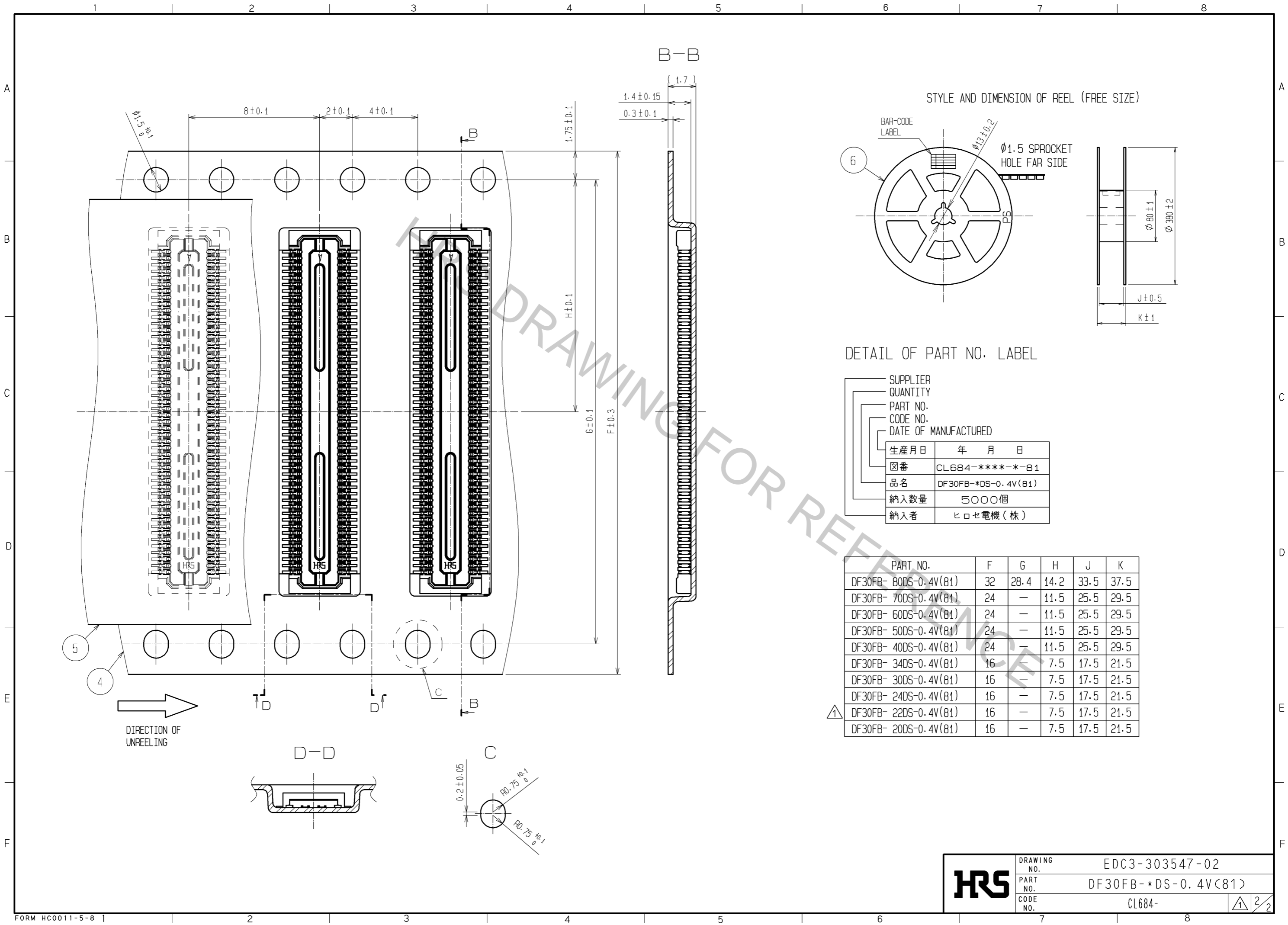
- NOTE 1. ALL LEADS CO-PLANARITY SHALL BE 0.1 MAX.
 2. PER REEL : 5000 CONNECTORS.
 3. AT THE BEGINNING OF THE REEL, 100 MM AT MIN SHALL BE EMPTY POCKETS.
 AT THE END OF THE REEL, 160 MM AT MIN SHALL BE EMPTY.
 4. NO CAVITY ON THE CONNECTORS LESS THAN 24 POS.
 5. CONTACT PLATING SPECIFICATIONS.
 CONTACT AREA : GOLD 0.05µm MIN.
 SMT LEAD : GOLD 0.02µm MIN.
 UNDERPLATING : NICKEL 1µm MIN.
 (SURFACE : SEALING)
 6. METAL HOLD DOWN PLATING SPECIFICATIONS.
 MOUNTING AREA: TIN 1µm MIN.
 UNDERPLATING : NICKEL 1µm MIN.

PART NO.	A	B	C	D	E
DF30FB- 80DS-0.4V(81)	18.22	15.6	3.2	17.72	18.52
DF30FB- 70DS-0.4V(81)	16.22	13.6	2.8	15.72	16.52
DF30FB- 60DS-0.4V(81)	14.22	11.6	2.4	13.72	14.52
DF30FB- 50DS-0.4V(81)	12.22	9.6	2	11.72	12.52
DF30FB- 40DS-0.4V(81)	10.22	7.6	1.6	9.72	10.52
DF30FB- 34DS-0.4V(81)	9.02	6.4	1.36	8.52	9.32
DF30FB- 30DS-0.4V(81)	8.22	5.6	1.2	7.72	8.52
DF30FB- 24DS-0.4V(81)	7.02	4.4	1.2	6.52	7.32
DF30FB- 22DS-0.4V(81)	6.62	4.0	1.2	6.12	6.92
DF30FB- 20DS-0.4V(81)	6.22	3.6	1.2	5.72	6.52

NO.	MATERIAL	FINISH	REMARKS	NO.	MATERIAL	FINISH	REMARKS
3	PHOSPHOR BRONZE	6		6	PS		PLASTIC REEL (BLACK)
2	PHOSPHOR BRONZE	5		5	POLYESTER		CLEAR (COVER TAPE)
1	LCP		UL94V-0. BLACK	4	PS		CLEAR (EMBOSSED CARRIER TAPE)

UNITS	SCALE	COUNT	DESCRIPTION OF REVISIONS	DESIGNED	CHECKED	DATE
mm	FREE	2	DIS-H-005343	TK. SUZUKI	AR. TAKAHASHI	10.11.30

APPROVED	DATE	DRAWING NO.
KJ. KATAYOSE	05.01.05	EDC3-303547-02
CHECKED	DATE	PART NO.
KI. AKIYAMA	05.01.05	DF30FB- *DS-0.4V(81)
DESIGNED	DATE	CODE NO.
TH. ARAI	05.01.05	CL684-
DRAWN	DATE	
TH. ARAI	05.01.05	



HRS	DRAWING NO.	EDC3-303547-02
	PART NO.	DF30FB-*DS-0.4V(81)
	CODE NO.	CL684- ① 2/2