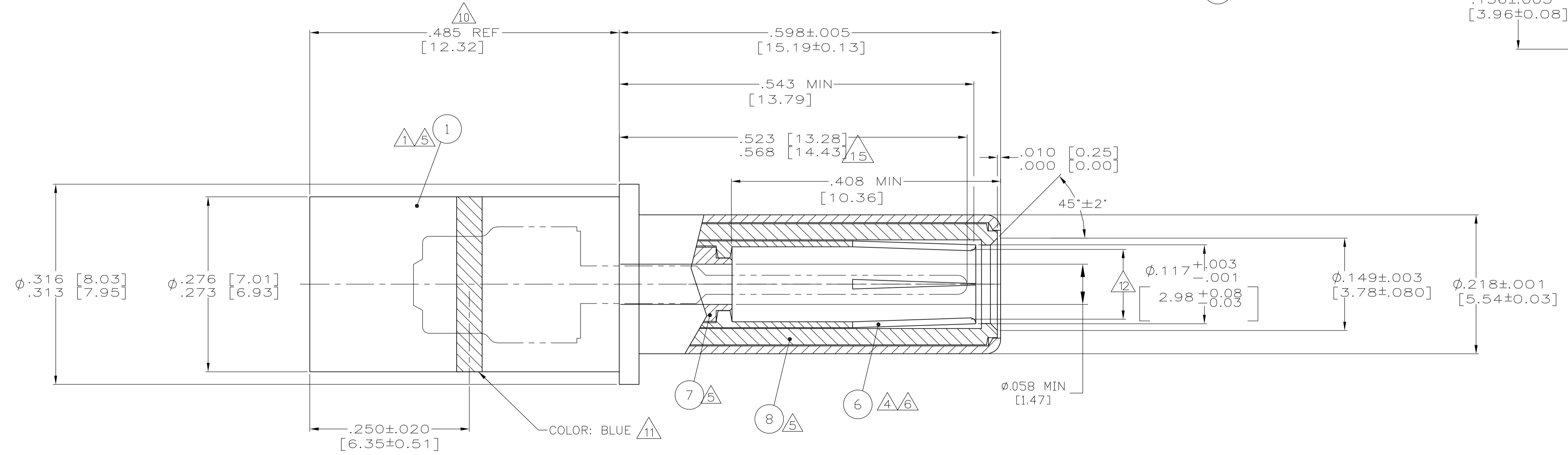
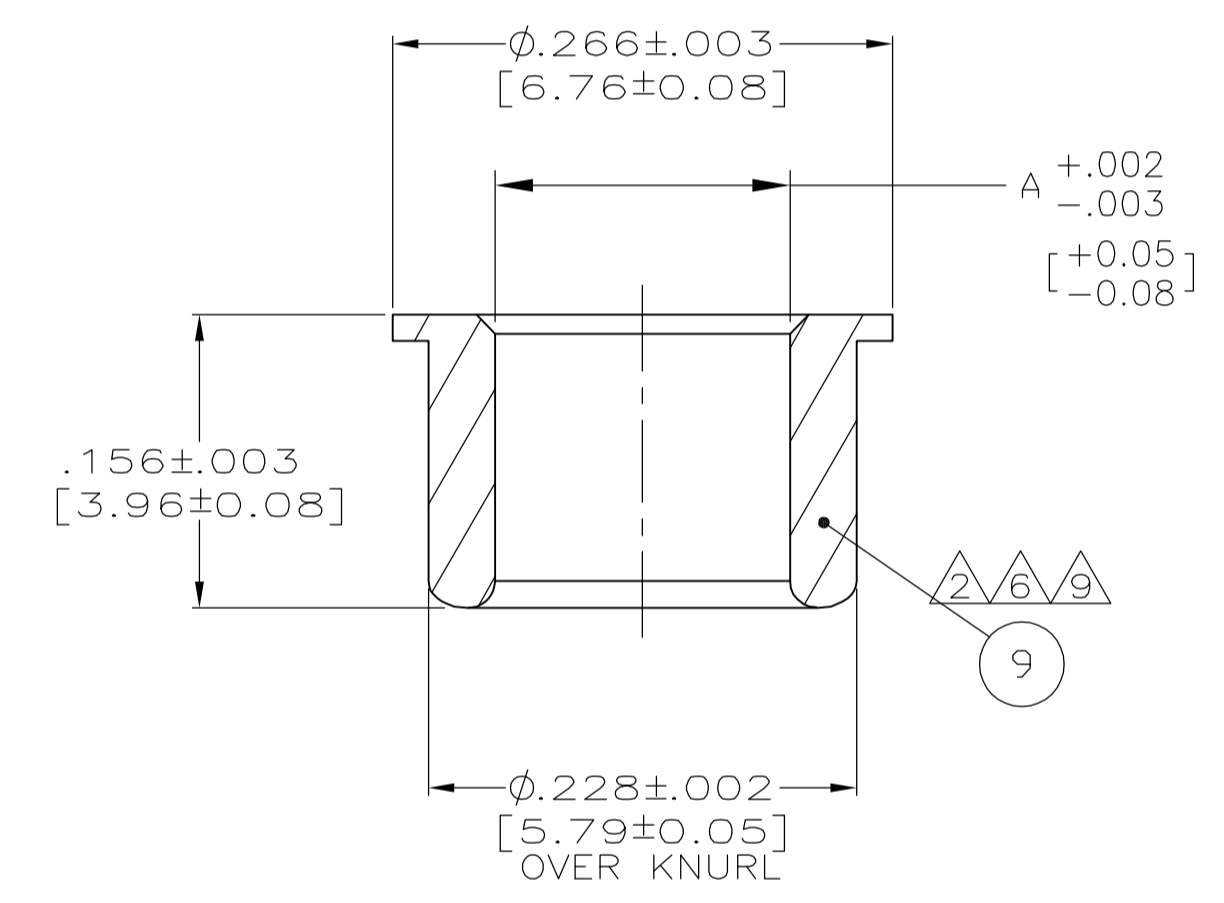
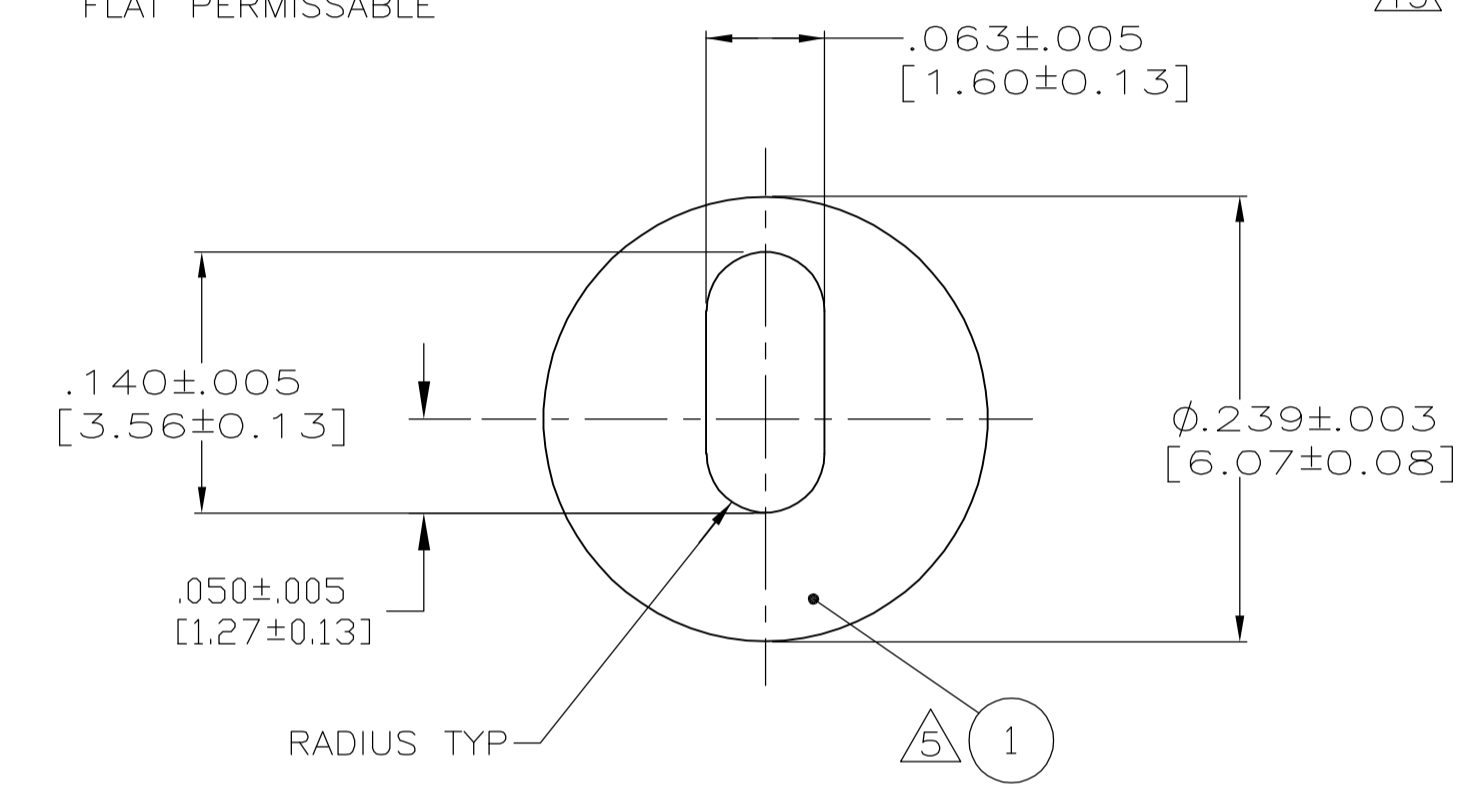
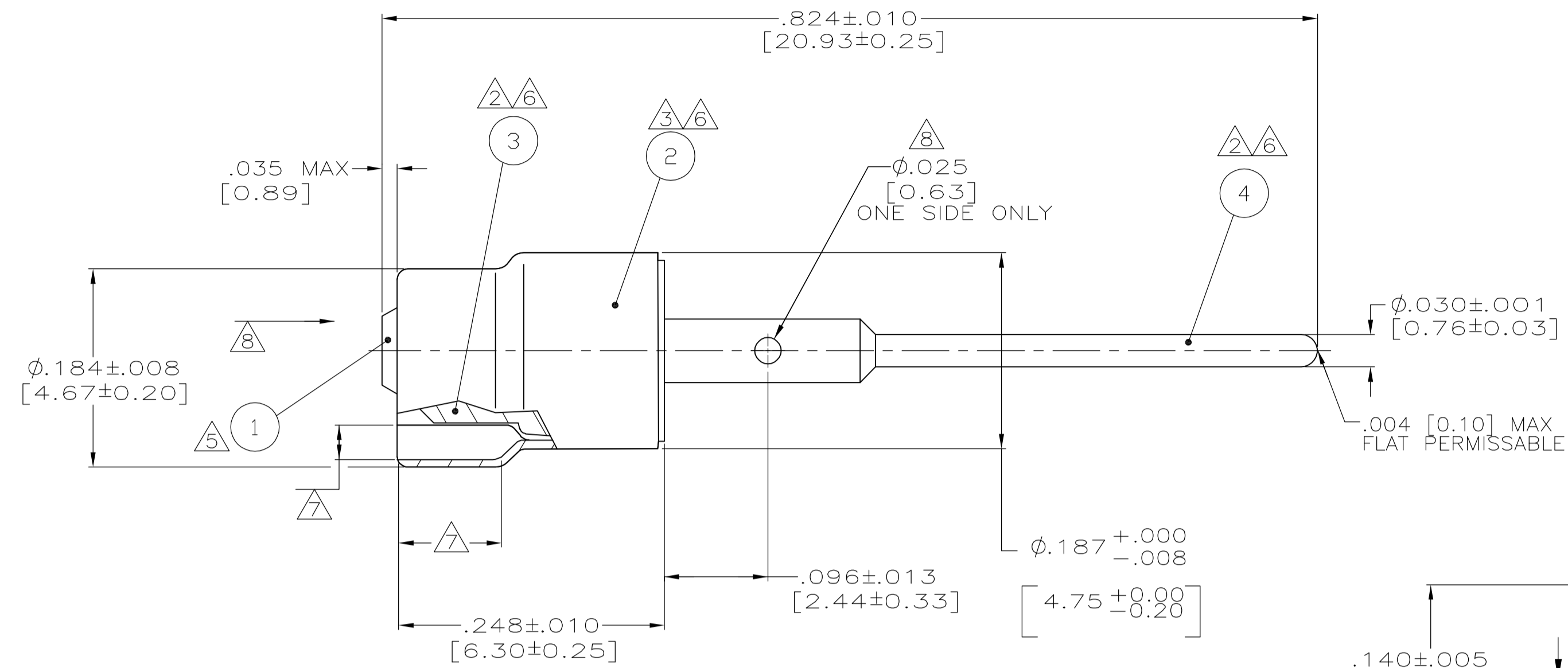


LOC	DIST	REVISIONS			
P	LTR	DESCRIPTION	DATE	DMN	APVD
D		REV PER ECO 07-001007	1-16-07	CT	RG

1. PRODUCT DESIGNED TO MEET BOEING S280W552 DRAWING
2. MAT'L: BRASS PER ASTM-B-16
3. MAT'L: COPPER PER ASTM-B-152.
4. MAT'L: BERYLLIUM COPPER PER ASTM-B-196.
5. MAT'L: PTFE PER ASTM-D-1710.
6. FINISH: GOLD PLATE PER MIL-G-45204, TYPE 1, GRADE C, CLASS 1 OVER NICKEL .000050 [0.0013] THK PER QQ-N-290, CLASS 2.
7. A .0285 [0.72] GAGE PIN MUST ENTER FOR A LENGTH OF .085 [2.16] MIN.
8. .028 [0.71] GD - .030 [0.76] NO GD GAGE WILL ENTER TO A DEPTH OF SIGHT HOLE.
9. 160 DP. FULL DIAMOND KNURL OVER THIS LENGTH.
10. .533 [13.54] MAX AFTER TERMINATION TO CABLE.
11. COLOR CODED PER MIL-C-39029, .020-.050 [0.51-1.27] WIDTH.
12. MATES WITH A .113±.001 [2.67±0.03] PIN.
13. BAG MARKED WITH CUSTOMER P/N S280W552-103.
14. BAG MARKED WITH CUSTOMER P/N S280W552-203.
15. DIMENSION IS AFTER ASSEMBLY, TO END OF CENTER CONTACT AFTER CRIMPING, PIN TO BE POSITIONED WITH $\oplus .030$ $\ominus .010$ $\oplus .010$



.174 [4.42]	---	RAYCHEM 10614	448313-3
.157 [3.99]	14	TENSOLITE 24463/9P025X-2(LD) OR TENSOLITE 24463/9B017X-2(LD) (OBSOLETE)	448313-2
OBSOLETE	---	TENSOLITE 24463/9P025X-2(LD) OR TENSOLITE 24463/9B017X-2(LD) (OBSOLETE)	448313-1
DIM A	REMARKS	CABLE REF	PART NO

BUSHING	10
FERRULE	9
DIELECTRIC, OUTER, FRONT	8
DIELECTRIC	7
CONTACT, INTERMEDIATE, SIZE 8	6
SHELL, OUTER, PIN	5
CONTACT, CENTER, PIN	4
SHELL, CRIMP END	3
FERRULE	2
DIELECTRIC	1
DESCRIPTION	ITEM NO.

THIS DRAWING IS A CONTROLLED DOCUMENT.

DWG: C.C. THOMAS 8-27-92
 DSK: C.SHELLY 12-14-92
 APVD: C.SHELLY 12-14-92

AMP Tyco Electronics Corporation
 Harrisburg, PA 17105-3608

PIN CONTACT, SIZE 8, REAR RELEASE
 CONCENTRIC TWINAX

SIZE: A1 CAGE CODE: 00779 DRAWING NO: 108-12092
 114-12010

RESTRICTED TO: ---

SCALE: 10:1 SHEET 1 OF 1 REV D

CUSTOMER DRAWING