

THIS INFORMATION IS CONFIDENTIAL AND PROPRIETARY TO TYCO ELECTRONICS AUSTRIA GMBH, AND ITS WHOLLY OWNED SUBSIDIARIES AND AFFILIATES. IT MAY NOT BE DISCLOSED TO ANYONE, OTHER THAN TYCO ELECTRONICS PERSONNEL, WITHOUT WRITTEN AUTHORIZATION FROM TYCO ELECTRONICS AUSTRIA.

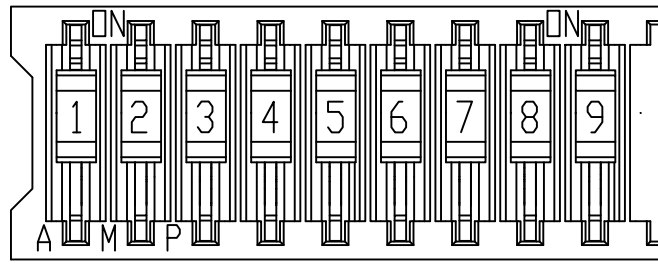
REV. NO.	DATE	DESCRIPTION	BY	CHK	APPV.
C		REVISED PER ECO-13-015791			

Material:

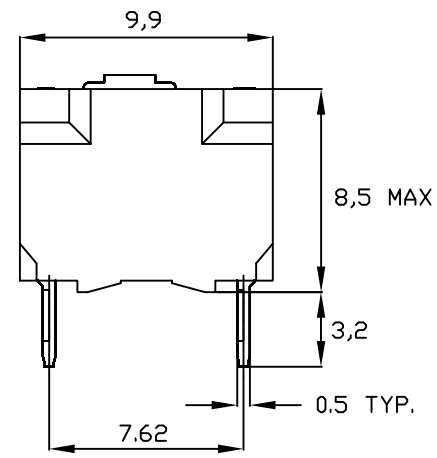
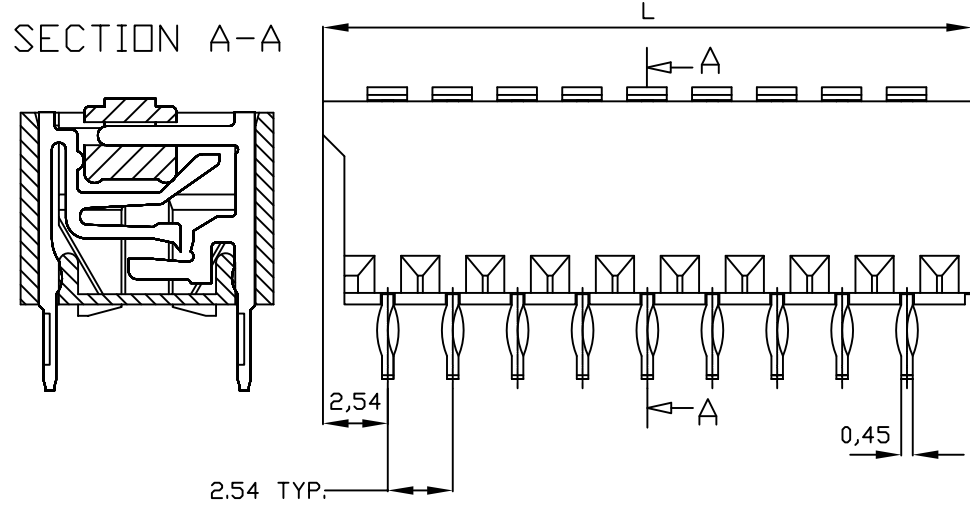
Housing : 30% G.F. NYLON, COLOUR : NATURAL
 Actuator : 20% G.F. POLYESTER, COLOUR : RED
 Contactors : PHOSPHOR-BRONZE
 PLATING : 2,5µm TIN



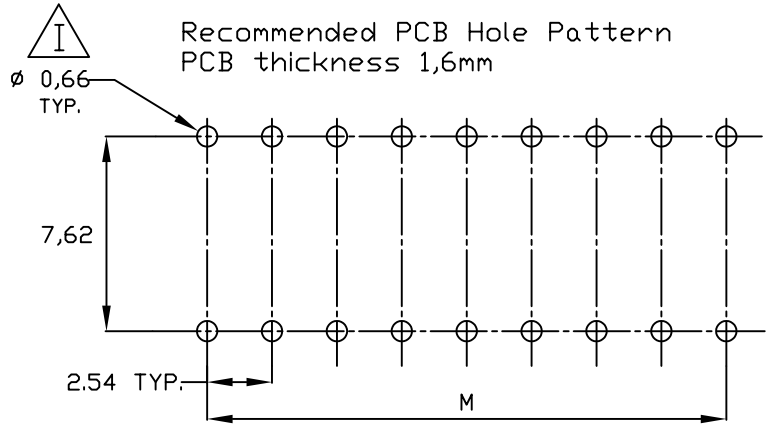
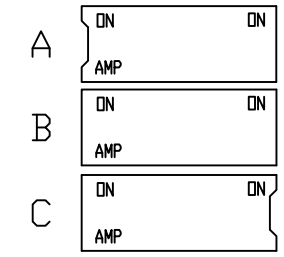
P.C.B. Hole Dim. Action-Pin	
Drilled Hole:	0,75 ±0,025mm
Fin. Hole:	0,6 to 0,72 mm
Cu-thickness:	0,025 to 0,05 mm
SN-thickness:	0,004 to 0,01 mm



SECTION A-A



SWITCH HOUSING MAY HAVE PROFILE A, B OR C



PART NUMBER	NUMBER OF POSITIONS	'L' MAX	'M'
0-5338048-1	1	5,08	-
0-5338048-2	2	7,62	2,54
0-5338048-3	3	10,16	5,08
0-5338048-4	4	12,70	7,62
0-5338048-5	5	15,24	10,16
0-5338048-6	6	17,78	12,70
0-5338048-7	7	20,32	15,24
0-5338048-8	8	22,86	17,78
0-5338048-9	9	25,40	20,32

OBSOLETE

THIS DRAWING IS A CONTROLLED DOCUMENT.		DWG. SA008712	18-9-07		
DIMENSIONS: mm		CHK	APVD		
TOLERANCES UNLESS OTHERWISE SPECIFIED:		PRODUCT SPEC		DIP SWITCH	
0 PLC ± -		APPLICATION SPEC		ACTION PIN VERSION	
1 PLC ± -		WEIGHT		SIZE: A1	
2 PLC ± -		CUSTOMER DRAWING		CAGE CODE: 5338048	
3 PLC ± -		SCALE		SHEET 1 of 1	
4 PLC ± -		REV. C		REV. C	
ANGLES ± -					
FINISH -					

THIS DRAWING IS A CONTROLLED DOCUMENT, HANDWRITTEN CHANGES ARE NOT ALLOWED