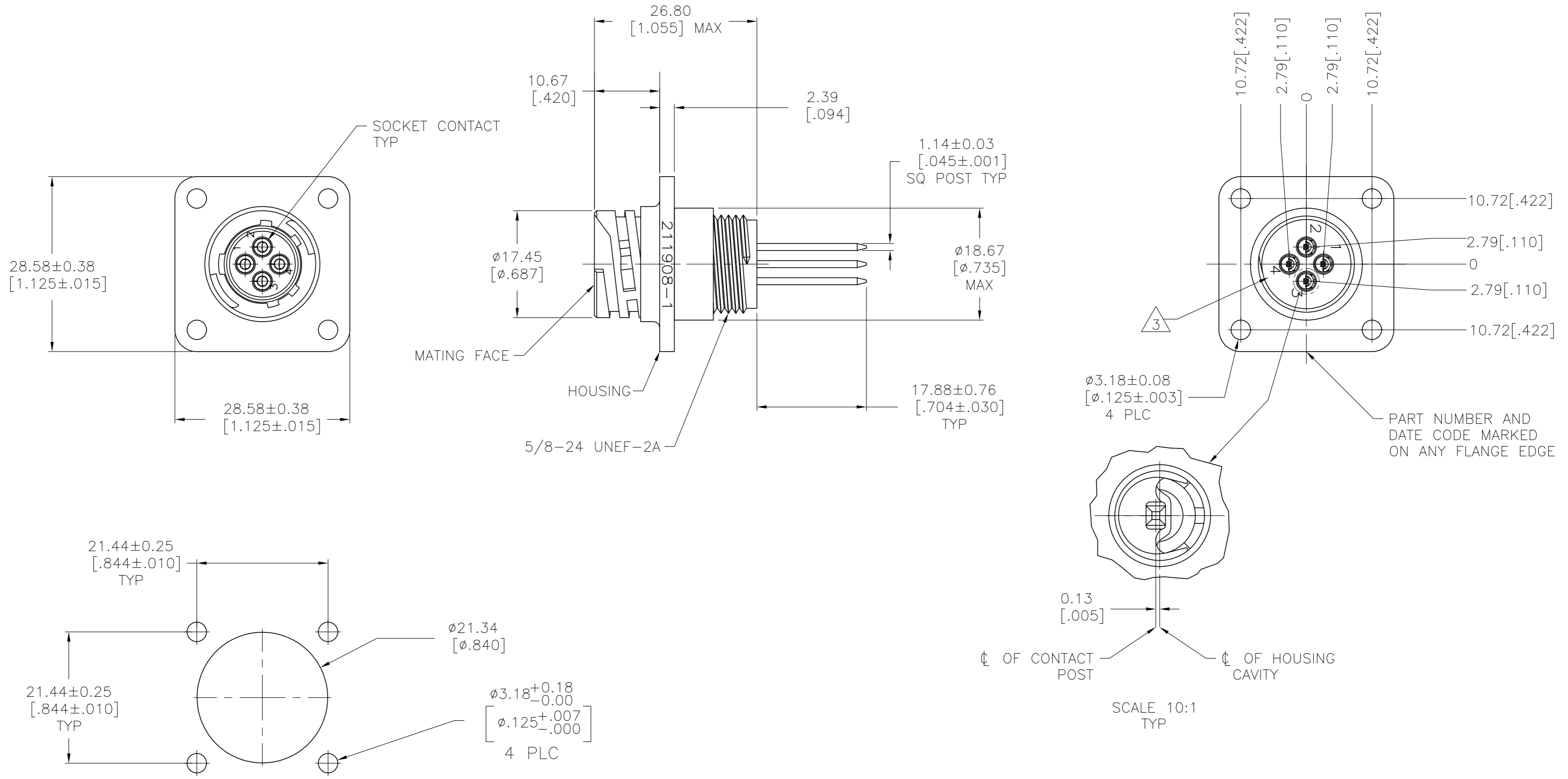


THIS DRAWING IS UNPUBLISHED. RELEASED FOR PUBLICATION
 © COPYRIGHT - By - ALL RIGHTS RESERVED.

LOC		DIST		REVISIONS			
P	LTR	DESCRIPTION		DATE	DWN	APVD	
FT	0	B		REVISED PER ECO-14-001570	12FEB2014	NK	MZ



RECOMMENDED PANEL CUTOUT

- 1 HOUSING: POLYESTER, GRAY.
SOCKET CONTACT & POST: BRASS.
SPRING: STAINLESS STEEL.
- 2 SOCKET CONTACT & POST: 2.54µm[.000100] MIN TIN-LEAD OVER 1.27µm[.000050] MIN NICKEL.
- 3 CAVITY IDENTIFICATION ON FRONT AND REAR FACE.
- 4 RECOMMENDED PC BOARD HOLE SIZE FOR CONTACT POST = 1.40±0.03[.055±.005] DIA.
- 5 SOCKET CONTACT & POST: 2.54µm[.000100] MIN TIN OVER 1.27µm[.000050] MIN NICKEL.

5	1-788130-1
2	788130-1
CONTACT FINISH	PART NUMBER

THIS DRAWING IS A CONTROLLED DOCUMENT.		DWN	16 MAY 97		TE Connectivity																					
		CHK	19 MAY 97																							
DIMENSIONS: mm [INCHES]		TOLERANCES UNLESS OTHERWISE SPECIFIED:		NAME																						
<table border="1"> <tr><td>0 PLC</td><td>± -</td></tr> <tr><td>1 PLC</td><td>± -</td></tr> <tr><td>2 PLC</td><td>± 0.13 [.005]</td></tr> <tr><td>3 PLC</td><td>± -</td></tr> <tr><td>4 PLC</td><td>± -</td></tr> <tr><td>ANGLES</td><td>± -</td></tr> </table>		0 PLC	± -	1 PLC	± -	2 PLC	± 0.13 [.005]	3 PLC	± -	4 PLC	± -	ANGLES	± -	<table border="1"> <tr><td>APVD</td><td>K.DOWHWER</td><td>19 MAY 97</td></tr> <tr><td>PRODUCT SPEC</td><td>108-10024</td><td></td></tr> <tr><td>APPLICATION SPEC</td><td>114-10038</td><td></td></tr> </table>		APVD	K.DOWHWER	19 MAY 97	PRODUCT SPEC	108-10024		APPLICATION SPEC	114-10038		RECEPTACLE ASSEMBLY, POSTED, 11-4, REVERSE SEX, CIRCULAR PLASTIC CONNECTOR	
0 PLC	± -																									
1 PLC	± -																									
2 PLC	± 0.13 [.005]																									
3 PLC	± -																									
4 PLC	± -																									
ANGLES	± -																									
APVD	K.DOWHWER	19 MAY 97																								
PRODUCT SPEC	108-10024																									
APPLICATION SPEC	114-10038																									
MATERIAL	FINISH	WEIGHT	SCALE	SHEET	REV																					
1	-	-	2:1	1 of 1	B																					