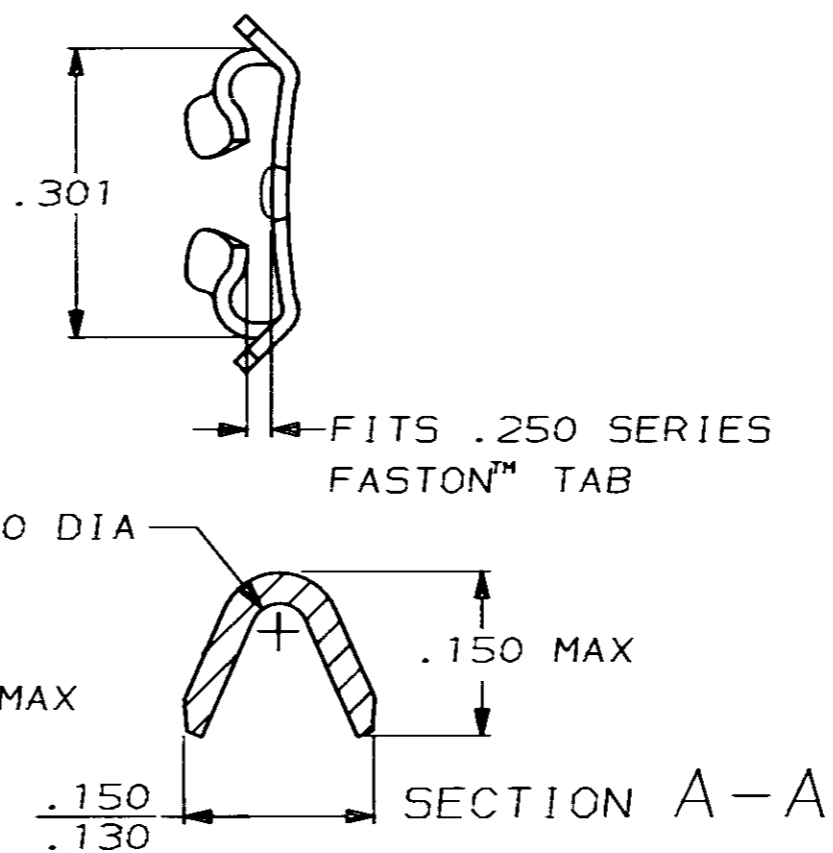
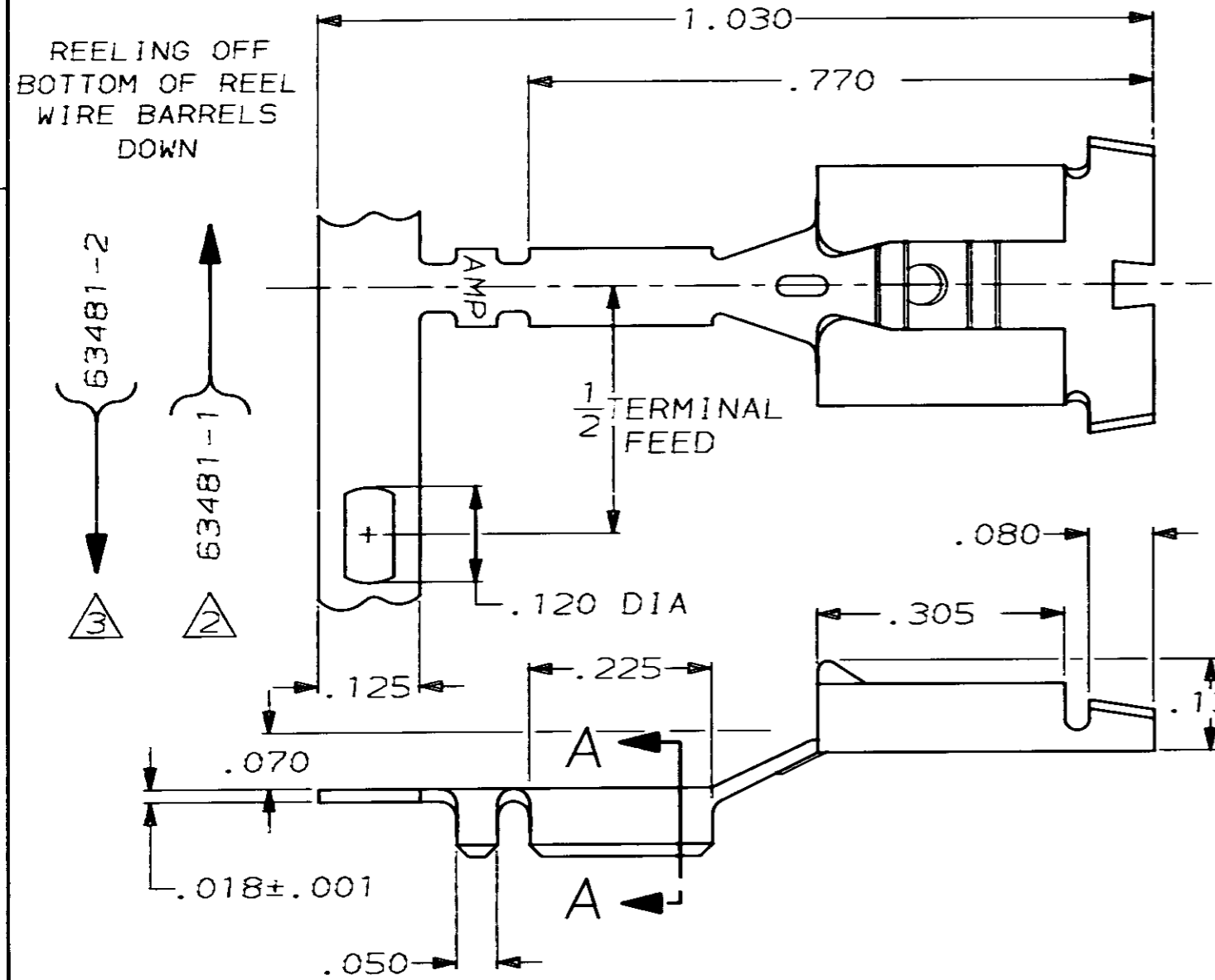
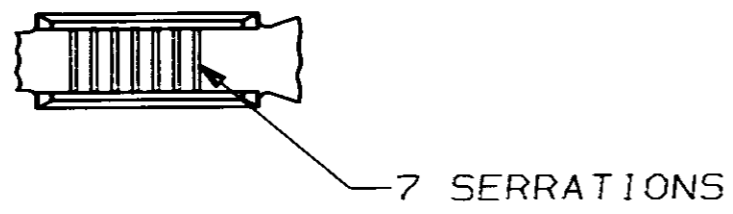


THIS DRAWING IS UNPUBLISHED. RELEASED FOR PUBLICATION, 19  
 © COPYRIGHT 19 BY AMP INCORPORATED. ALL INTERNATIONAL RIGHTS RESERVED.

LOC	DIST	P	F	ZONE	LTR	REVISIONS	
AF	50					DESCRIPTION	DATE
						RELEASED PER F.A.S.R.	5/29/90
							MSF



1 CONTINUOUS STRIP ON REELS WITH TERMINALS LOCATED ON .620 CENTERS.



DO NOT SCALE PRINT. UNLESS SPECIFIED DIMENSIONS IN INCHES TOLERANCES ON: 2 PLC DEC ± - 3 PLC DEC ± .010 ANGLES ± -	DR M.S. FEHER CHK G YETTER APPD D SCHWENK APPD C G ATHERTON PRODUCT SPEC - APPLICATION SPEC - WEIGHT -	REELING	MATING TAB THK ±.001	MAGNET WIRE RANGE	PART NO
		3	.032	#21-#15 AWG	63481-2 63481-1
MATERIAL #4 HARD BRASS	FINISH PRE-TIN .000080 MIN THK MIL-T-10727	AMP		AMP INCORPORATED Harrisburg, Pa. 17105	
STATOR RECEPTACLE AMPLIVAR™				SIZE B	FSCM NO 00779
				SCALE 5:1	DRAWING NO 63481
				SHEET 1 OF 1	