

D

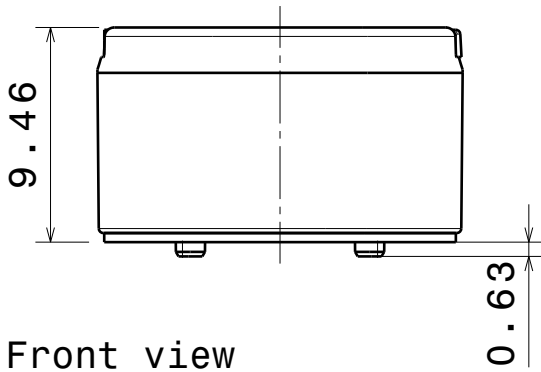
C

B

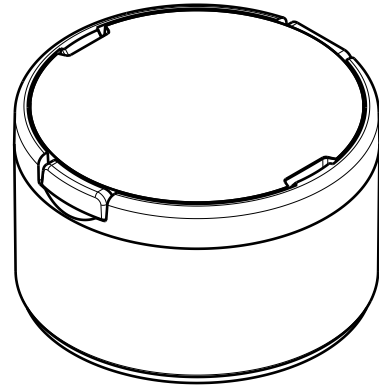
A

4

4



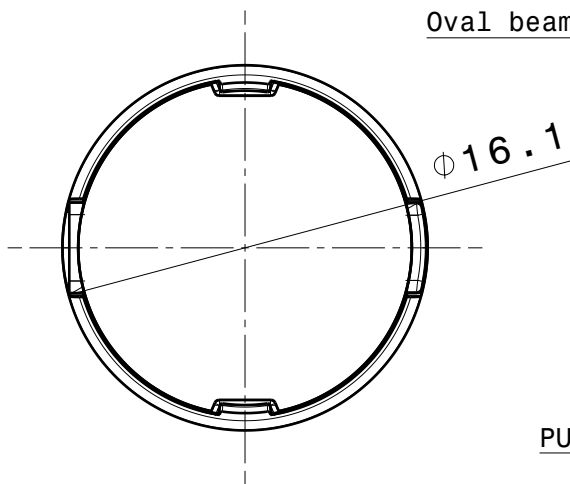
Front view



Isometric view  
Scale: 3:1

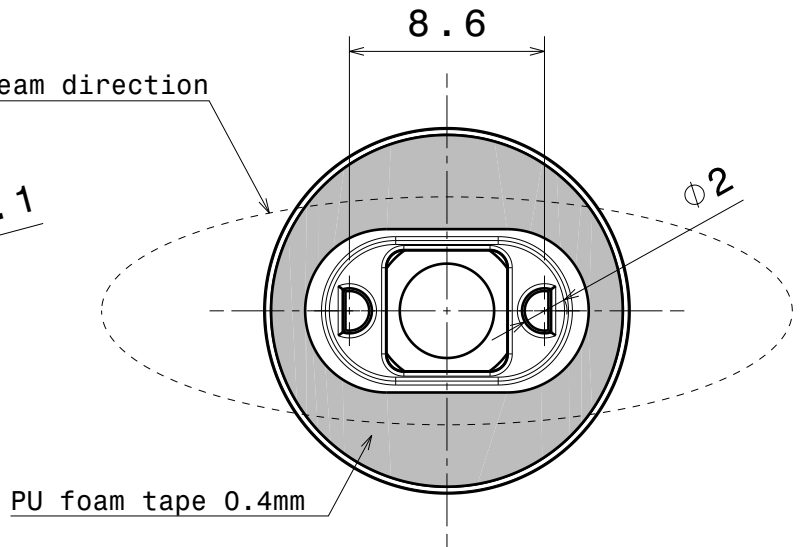
3

3



Top view

Oval beam direction



Bottom view

2

2

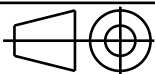
INDEX	PART NO	DESCRIPTION	MATERIAL	COLOUR
1	-	TINA2-lens	PMMA	
2	C12373	TINA2-HLD-WHT	PC	white

Tolerances if not otherwise shown  
According to DIN ISO 2768-1  
Linear measures:  
Up to 30mm class M, otherwise class C.  
According to DIN ISO 2768-2  
Form and position: class L

**LEDiL**

Ledil Oy  
Salorankatu 10  
FIN 24240 SALO  
Finland

THIRD ANGLE PROJECTION:



DRAWING TITLE

TINA2 series datasheet

This drawing is the property  
of LEDiL Oy. It may not be  
reproduced, copied or  
communicated without a written  
agreement with LEDiL Oy.

SIZE PART NUMBER

A4

-

SCALE 3:1 WEIGHT 1,3 g SHEET 1/1

1

1

D

A