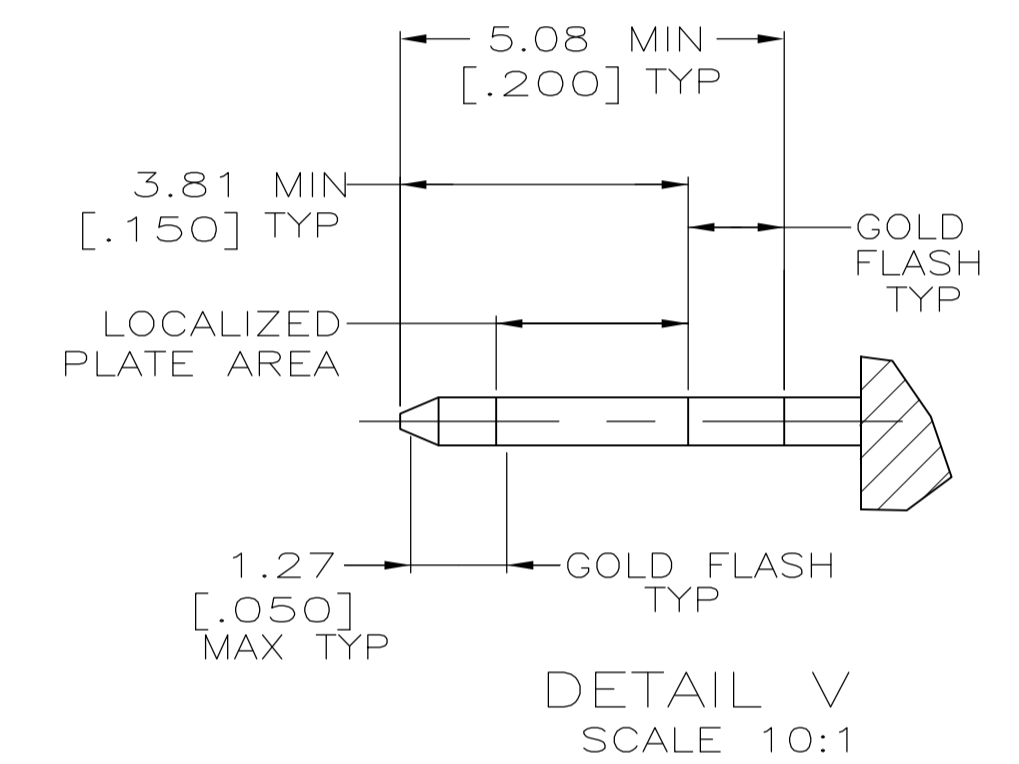
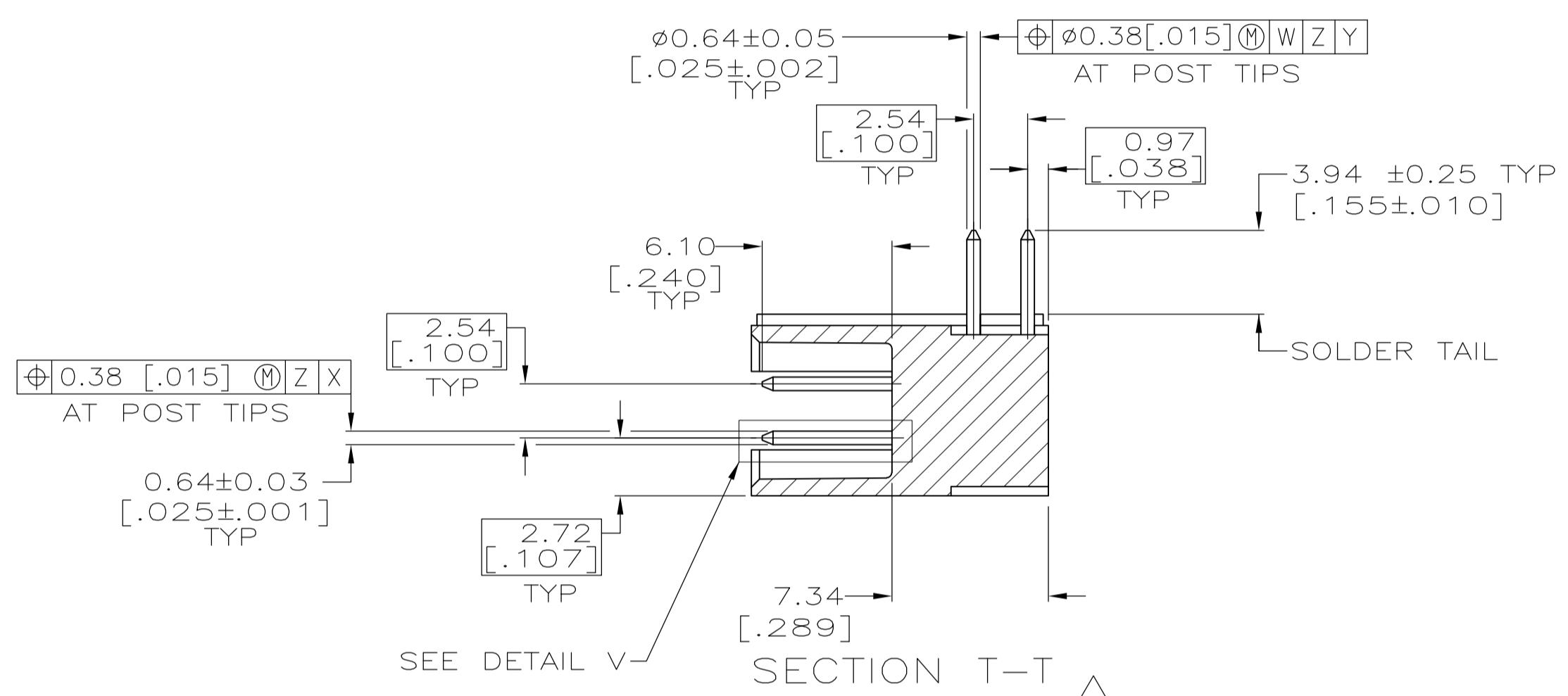
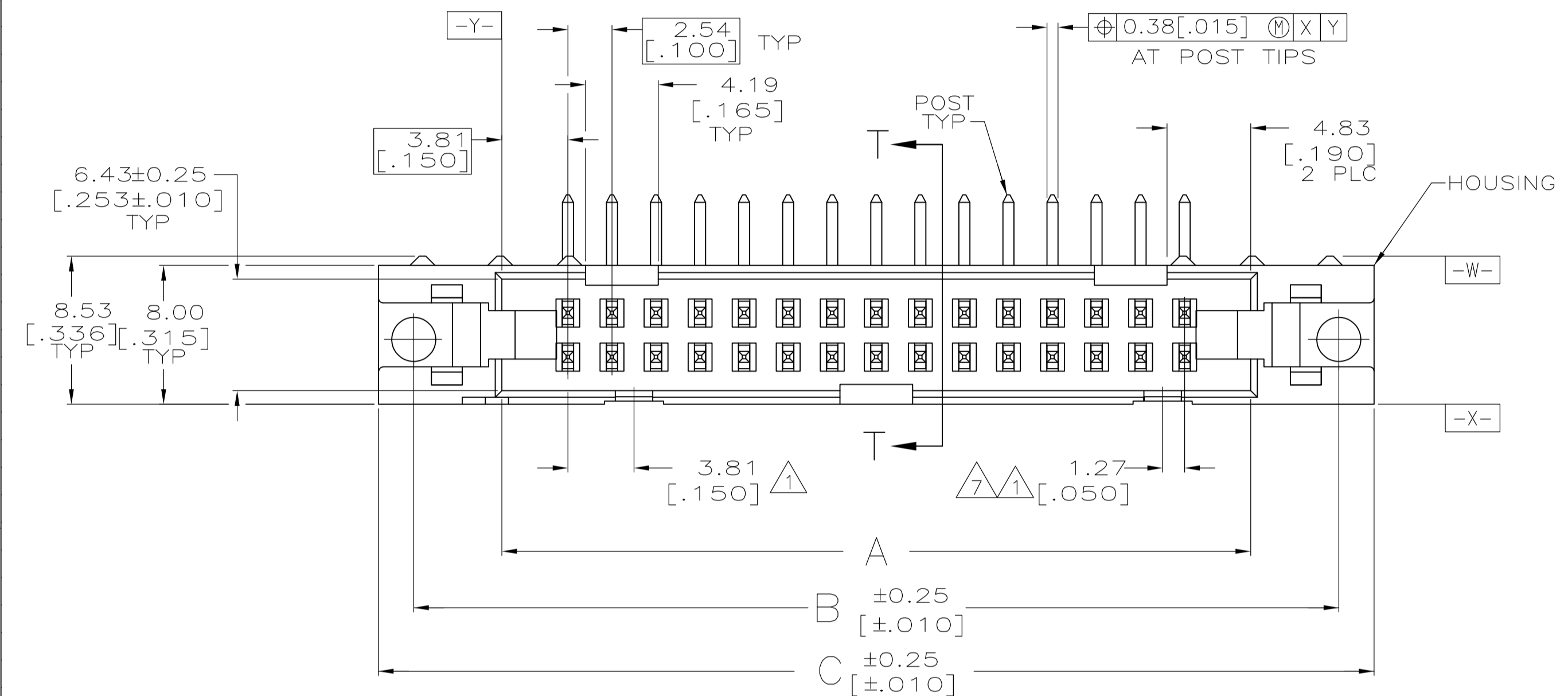
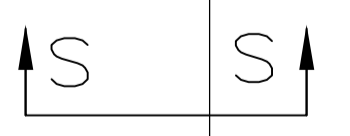
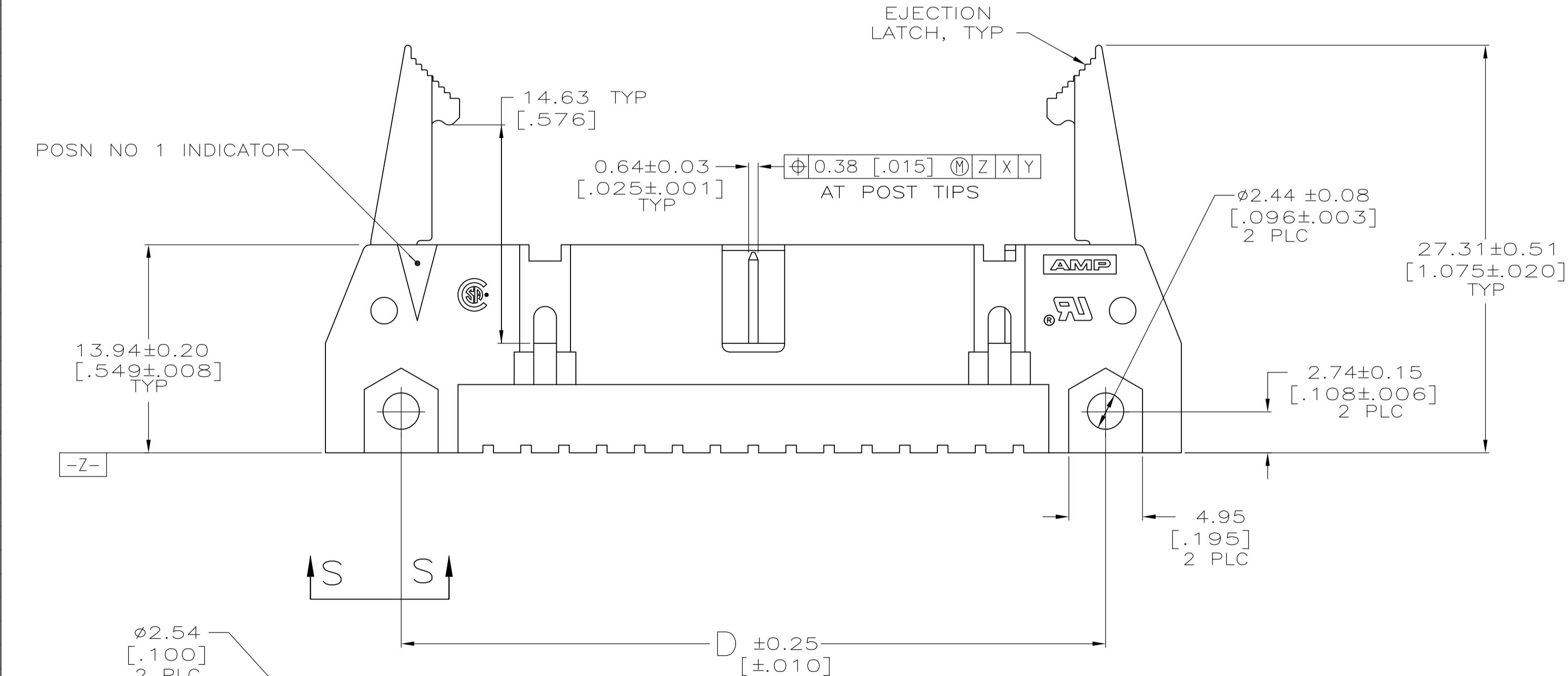


RECOMMENDED  
PC BOARD MOUNTING DIMENSIONS  
SCALE 2:1

EJECTION LATCHES OMITTED IN  
THIS VIEW FOR CLARITY



DETAIL V  
SCALE 10:1



VIEW S-S

- ① COORDINATE DIMENSION APPLIES FROM BASIC LOCATION.
- 2 RECOMMENDED PRINTED CIRCUIT BOARD THICKNESS IS 3.18 [.125].
- ③ DISTANCE REQUIRED BY EJECTION LATCHES IN THE OPEN POSITION.
- ④ HOUSING & LATCHES: GLASS FILLED NYLON OR POLYESTER, UL94V-0 RATED, BLACK. POSTS: BRASS.
- ⑤ POSTS: GOLD FLASH OVER PALLADIUM-NICKEL PLATE, 0.38µm [.000015] MIN TOTAL ON THE LOCALIZED PLATE AREA, 2.54µm [.000100] MIN TIN PLATE ON THE SOLDER-TAILS, 1.27µm [.000050] MIN NICKEL UNDERPLATE ON THE ENTIRE POST.  
-OR-  
0.38µm [.000015] MIN GOLD PLATE ON THE LOCALIZED PLATE AREA, 2.54µm [.000100] MIN TIN PLATE ON THE SOLDER-TAILS, 1.27µm [.000050] MIN NICKEL UNDERPLATE ON THE ENTIRE POST.
- ⑥ DATUMS -M- & -N- TO BE ESTABLISHED BY CUSTOMER.
- ⑦ 14 POSITION SIZE CONTAINS ONLY ONE SLOT FOR SNAP IN POLARIZER (MILITARY POLARIZATION) LOCATED AS SHOWN.
- ⑧ OBSOLETE PARTS: OBSOLETE CIS STREAMLINING PER D.RENAUD/D.SINISI

8	27.94	39.62	39.62	49.78	45.72	35.56	24	5499925-5
	[1.100]	[1.560]	[1.560]	[1.960]	[1.800]	[1.400]		
8	15.24	26.92	26.92	37.08	33.02	22.86	14	5499925-2
	[.600]	[1.060]	[1.060]	[1.460]	[1.300]	[.900]		
8	60.96	72.64	72.64	82.80	78.74	68.58	50	1-5499925-0
	[2.400]	[2.860]	[2.860]	[3.260]	[3.100]	[2.700]		
	F	E	D	C	B	A	NO OF POSN	PART NUMBER

**COPYRIGHT 2005  
TYCO ELECTRONICS CORP  
ALL RIGHTS RESERVED**

THIS DRAWING IS A CONTROLLED DOCUMENT.

DIMENSIONS: mm (INCHES)	TOLERANCES UNLESS OTHERWISE SPECIFIED:	DIN L VARELA - DOCKS 01-11-05	APVD S BOLASH 01-11-05	NAME M WALMSLEY 01-11-05	TYCO ELECTRONICS	Tyco Electronics Corporation Harrisburg, PA 17105-3608
0 PLC ± -	1 PLC ± -	2 PLC ± 0.13[.005]	3 PLC ± -	4 PLC ± -	PRODUCT SPEC 108-40018	HEADER ASSY, UNIVERSAL, AMP-LATCH
MATERIAL ④	FINISH ⑤	WEIGHT -	SIZE A1	CAGE CODE 00779	DRAWING NO 5499925	RESTRICTED TO -
CUSTOMER DRAWING		SCALE 4:1	SHEET 1 of 1	REV D		