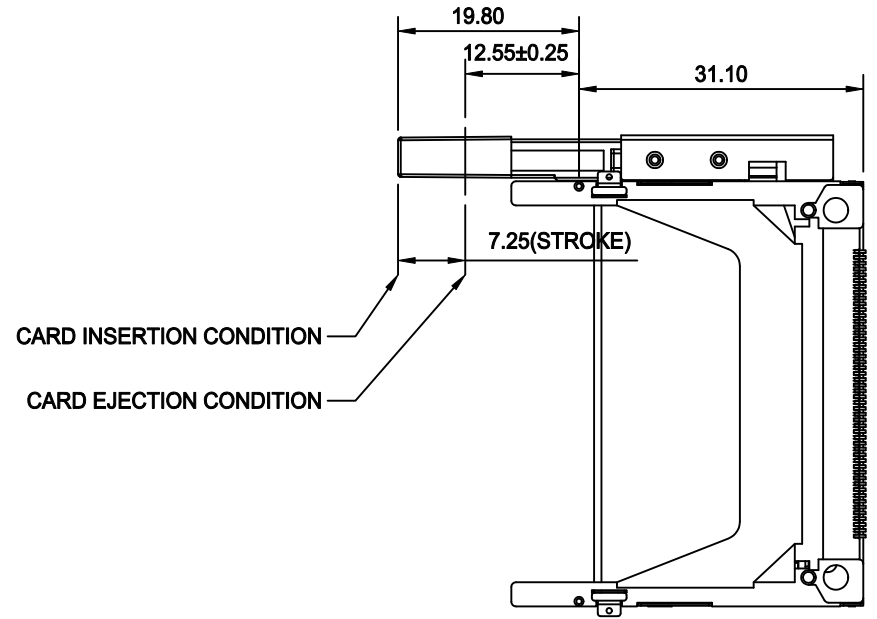
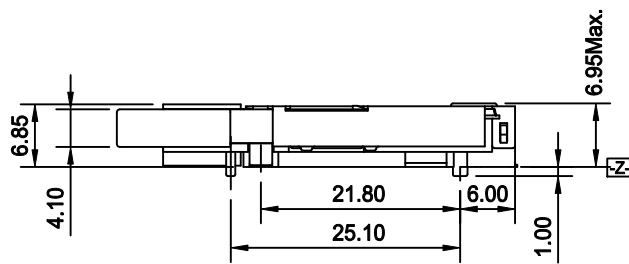


PIN NUMBER	DIM. L(PIN LENGTH)
25, 26	3.50
ALL OTHER PINS	4.25
1,13,38,50	5.00



THE PUSH BUTTON POSITION



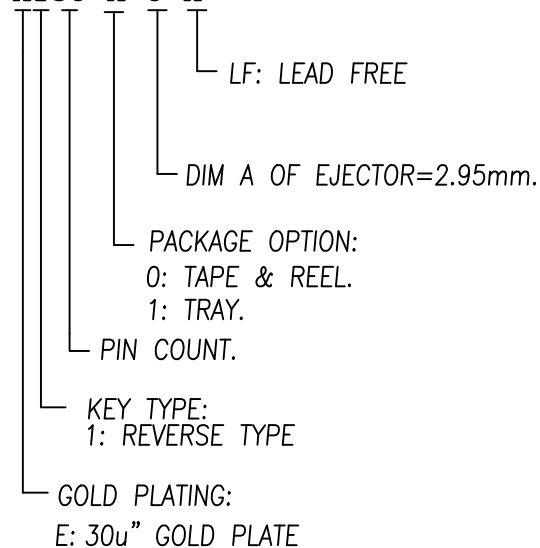
mat'l. code				tolerances unless otherwise specified			CUSTOMER COPY		FCI		www.fciconnect.com	
ltr	ecn no	dr	date	linear	.X ± 0.30	projection	title					
A	T10-0076	S.LIN	10'-06-09		.XX ± 0.20		CF ASS'Y,BELOW MOUNT LEFT PUSH, S/O=0mm					
				angles	.XXX ± 0.10		product family	CF		code	TWN	
				dr	STERLING LIN	10'-06-09	size	dwg no		sheet	1 of 3	
				engr	STERLING LIN	10'-06-09	scale	A4		10112529		
				chr	STERLING LIN	10'-06-09	NA					
				appd	GARY HSIEH	10'-06-09						
sheet index	revision sheet	A 1	A 2	A 3								

NOTES :

- 1. THIS IS THE ASSEMBLY TYPE WHICH INCLUDES HEADER 10102530-E1501 AND EJECTOR 10053869-0050LF.
- 2. MATERIAL :
 INSULATOR : HIGH TEMPERATURE THERMOPLASTIC
 FLAMMABILITY RATING: UL94V-0
 COLOR: IVORY
 CONTACT : COPPER ALLOY
 GROUND MOUNTING EAR: COPPER ALLOY
 COVER: STAINLESS STEEL.
 ARM: STAINLESS STEEL.
 PUSH ROD : HIGH TEMPERATURE THERMOPLASTIC
 FLAMMABILITY RATING: UL94V-0
 COLOR: BLACK.
 RIVET : COPPER ALLOY
- 3. PLATING :
 CONTACT AREA: SELECTIVE GOLD (SEE P/N DESCRIPTION)
 UNDER PLATING: 50u" NICKEL OVERALL
 SOLDER TAIL AREA: 100u" TIN/LEAD OR 100u" MATTE TIN
 GROUND MOUNT EAR AREA: 100u" TIN/LEAD OR 100u" MATTE TIN
- 4. SOLDER TAILS TO BE WITHIN 0.05 UPWARD AND 0.2 DOWNWARD FROM Z-DATUM PLACE, AND COPLANARITY OF SOLDER TAILS TO BE WITHIN 0.10mm.
- 5. PRODUCT SPEC: GS-12-240.
- 6. PACKAGING SPEC: GS-14-1040.

7. Part Number Description:

P/N: 10112529-X150 X 0 X



- 8. THIS PRODUCT (10112529-XXXXXXLF) MEETS THE EUROPEAN UNION DIRECTIVE AS DESCRIBED IN GS-22-008.
- 9. THIS PRODUCT (10112529-XXXXXX) MEETS THE EUROPEAN UNION DIRECTIVE AS DESCRIBED IN GS-22-008 EXCEPT FOR Pb.
- 10. THE HOUSING WILL WITHSTAND EXPOSURE TO 260°C PEAK TEMPERATURE FOR 10 SECONDS IN A CONVECTION, IR OR VAPER PHASE REFLOW OVEN.

Tous droits strictement reserves. Reproduction ou communication a des tiers interdite sous quelque forme que ce soit sans autorisation ecrite duproprietaire. Propriete de c FCI. Droits de reproduction FCI.



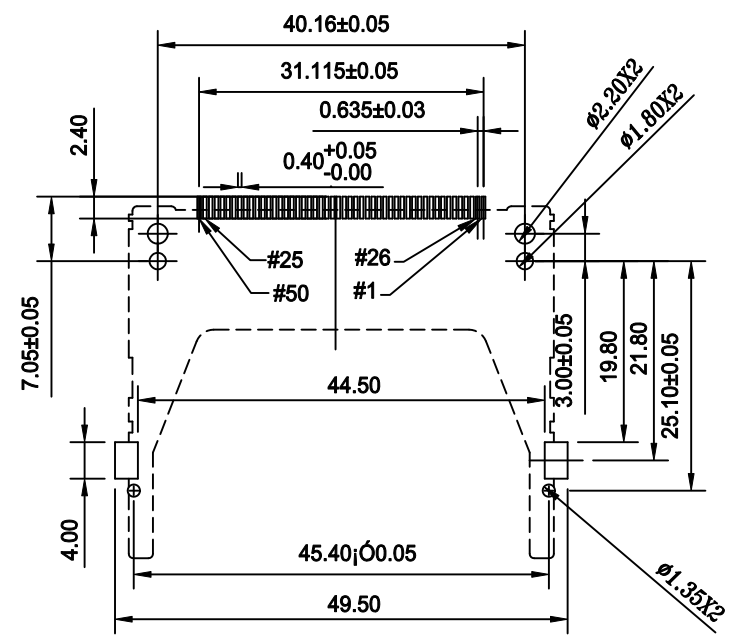
All rights strictly reserved. Reproduction or issue to third parties in any form whatever is not permitted without written authority from the proprietor. Property of FCI. Copyright FCI.

mat'l. code				tolerances unless otherwise specified				CUSTOMER COPY		FCI www.fciconnect.com		
ltr	ecn no	dr	date	linear	.X ± 0.30				projection	title CF ASS'Y,BELOW MOUNT LEFT PUSH, S/O=0mm		
A	T10-0076	S.LIN	02/04/10		.XX ± 0.20							
					.XXX ± 0.10							
				angles	0° ±2°							
				dr	STERLING LIN	10'-06-09	MM	product family			code	
				engr	STERLING LIN	10'-06-09		CF			TWN	
				chr	STERLING LIN	10'-06-09		scale	size		sheet	
				appd	GARY HSIEH	10'-06-09	NA	A4	10112529		2 of 3	
sheet index	revision sheet	A	A	A								
		1	2	3								

Tous droits strictement reserves. Reproduction ou communication a des tiers interdite sous quelque forme que ce soit sans autorisation ecrite du proprietaire. Propriete de c FCI. Droits de reproduction FCI.



All rights strictly reserved. Reproduction or issue to third parties in any form whatever is not permitted without written authority from the proprietor. Property of FCI. Copyright FCI.



Recommended PCB Pattern

mat'l. code				tolerances unless otherwise specified				CUSTOMER COPY		FCI www.fciconnect.com	
ltr	ecn no	dr	date	linear	.X ± 0.30				projection	title CF ASS'Y,BELOW MOUNT LEFT PUSH, S/O=0mm	
A	T10-0076	S.LIN	10'-06-09		.XX ± 0.20						
				angles	.XXX ± 0.10				MM	product family CF size dwg no	
					0° ± 2°						
				dr	STERLING LIN	10'-06-09	scale NA	A4	10112529		code
				engr	STERLING LIN	10'-06-09					TWN
				chr	STERLING LIN	10'-06-09					sheet
				appd	GARY HSIEH	10'-06-09					3 of 3
sheet index	revision sheet	A 1	A 2	A 3							