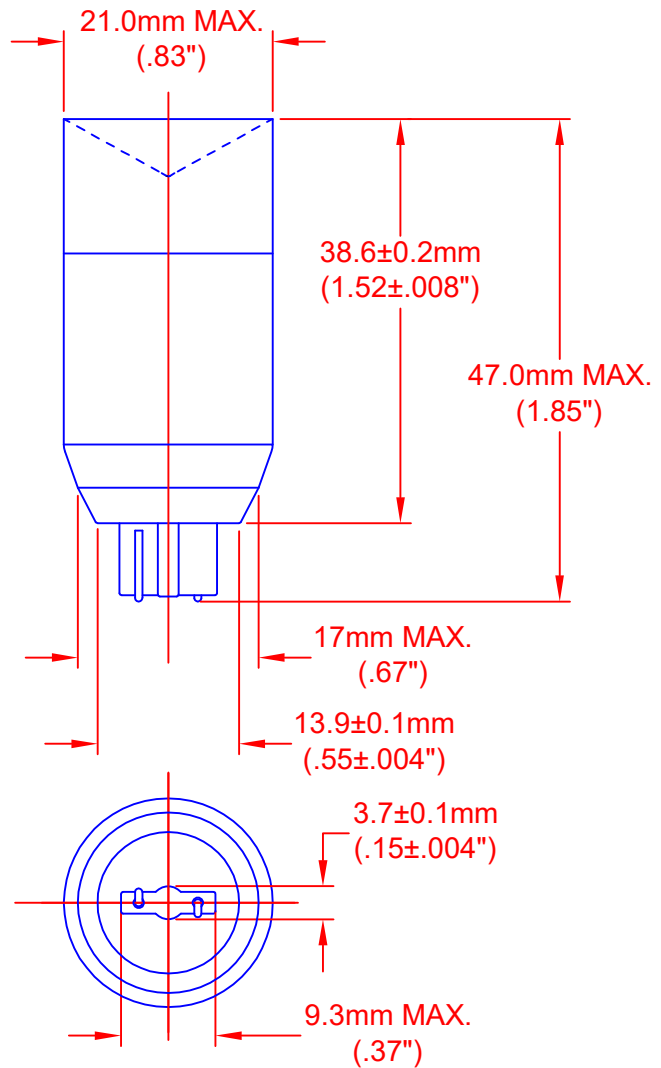


FEATURES

- T-3 1/4 Wedge Base - Non-Polarized
- Wide Input Voltage Range
 - 10 - 30V DC
 - 10 - 12V AC
- Low Power Usage
- Efficacy of 56Lm/Watt
- Viewing Angle 100°
- Color Temperature 3000°k
- CRI >80



TYPICAL ELECTRICAL & OPTICAL OPERATING CHARACTERISTICS

(Ta = 25 degree C)

JKL PART NUMBER	VOLTAGE DC			WATTS			LUMINOUS INTENSITY Lm
	MIN	NOM	MAX	MIN	NOM	MAX	
LE-WB2W-12W	10	12	30	1.75	2.2	2.5	130

JKL PART NUMBER: LE-WB2W-12W

METRIC 			DIMENSIONS ARE MILLIMETER/INCH TOLERANCE UNLESS OTHERWISE SPECIFIED 1 PL +/- REF. 2 PL +/- REF. ANGLE +/-							
D FEAT. 10-24VAC TO 10-12VAC, CHART V TO DC 8/5/16 C CHANGE DIMS .79" TO .83" & 1.81" TO 1.85" 3/23/16 B ADD TO FEATURES AND CHANGE CHART 2/61/16 A CHANGE VIEWING ANGLE TO 100° 1/131/16 RELEASED 11/10/15			DRAWN BY L. WENGSTROM APPV'D BY L.R. DATE 8/5/16			TITLE T-3 1/4 WEDGE BASE LED LAMP SIZE A FSCM NO. 55335 DRAWING NO. LE-WB2W-12W				
REV. NO.	DESCRIPTION/ECO NUMBER	APPV'D DATE	- CAD DRAWING - MANUAL REVISIONS NOT PERMITTED			SCALE NONE	RELEASED DATE 11/10/15	REVISION DATE 8/5/16	REV. NO. D	SHEET 1 OF 1