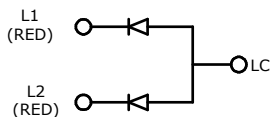
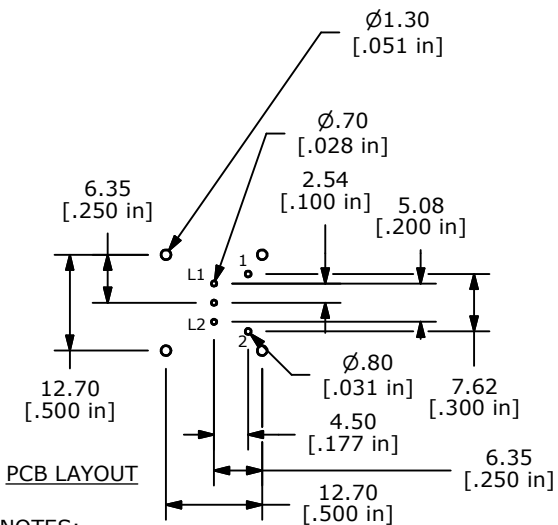
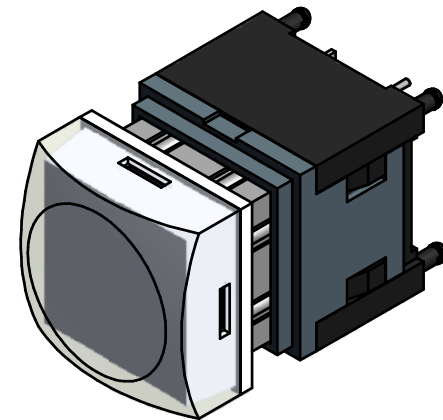
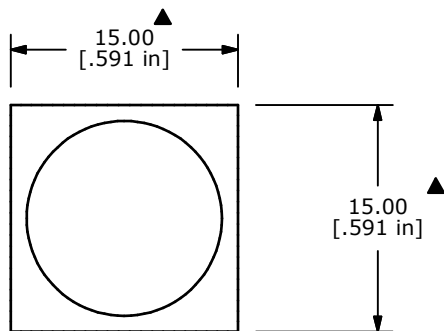


CIRCUIT: SPST ▲

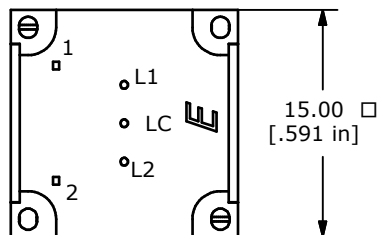
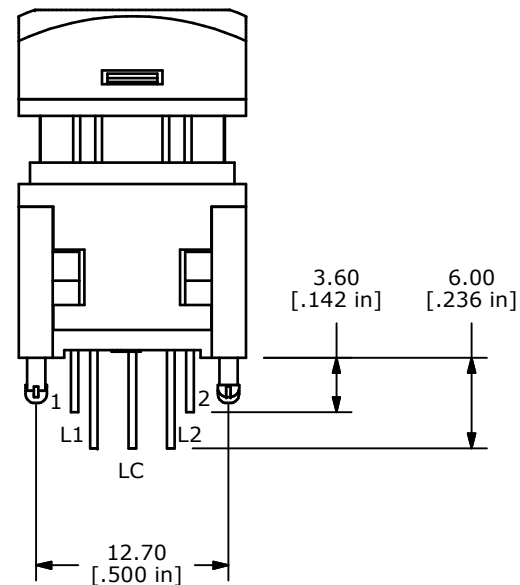
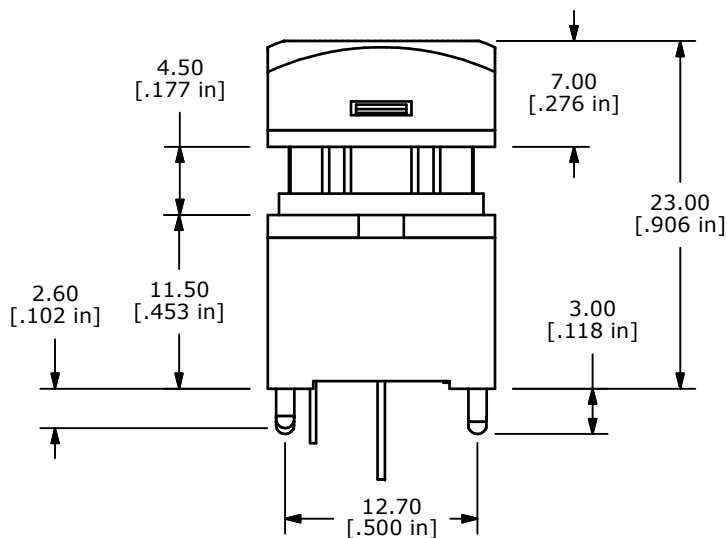


LED SCHEMATIC ▲



NOTES:

1. ALL DIMENSIONS IN MM [INCH]
2. GENERAL TOLERANCE: X.X=± 0.4  
X.XX=± 0.25
3. TERM. NOS. FOR REFERENCE ONLY.
4. RATING: 12VDC, 100mA
5. CONTACT MATERIAL: GOLD PLATED C
6. CONTACT RESISTANCE: 200 MILLI-OHM MAX.
7. INSULATION RESISTANCE: 500VDC, 100 MEGA-OHM MIN.
8. OPERATING FORCE: 250± 100GF
9. MECHANICAL LIFE: 1,000,000 CYCLES
10. OPERATING TEMP: -20°C TO +70°C
- ▲11. LED COLORS: RED - RED
12. TRAVEL: 4.50mm±0.20
13. 2002/95/EC (ROHS) COMPLIANT
14. ▲ DENOTES CRITICAL PARAMETER.
- ▲15. SWITCH HAS TACTILE FEEDBACK WHEN ACTUATED.



LED SPECS	UNITS	RED	RED
FORWARD CURRENT	mA	20	20
FORWARD VOLTAGE @20mA	V	1.9-2.4	1.9-2.4
LUMINOUS INTENSITY @ 10mA	MCD	40	40

REV	PCR NO	DESCRIPTION	DATE	BY
C	21454	CHANGE CONTACT MATERIAL TO GOLD	5/13/14	EBP
B	19357	UPDATE HOUSING, COVER, PLUNGER	11/08/10	BMA
A	18361	RELEASE FOR PRODUCTION	12/22/08	BLR



TITLE LP110A1TBSRR

SCALE 2=1

DATE 12/22/2008

DR BLR

DWG B231006

REV C

THE INFORMATION CONTAINED IN THIS DOCUMENT IS PROPRIETARY TO E-SWITCH AND IS NOT TO BE COPIED OR TRANSFERRED