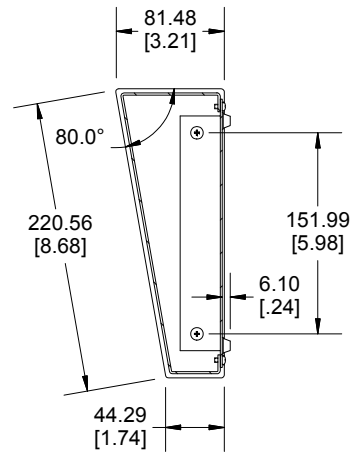
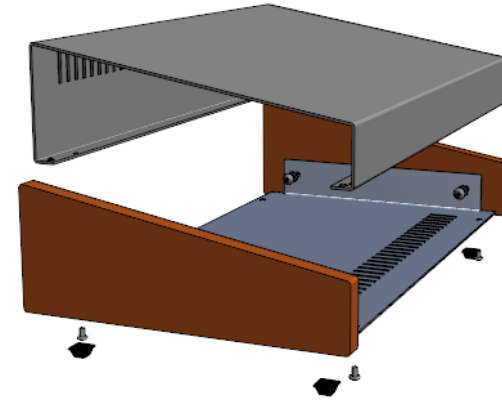
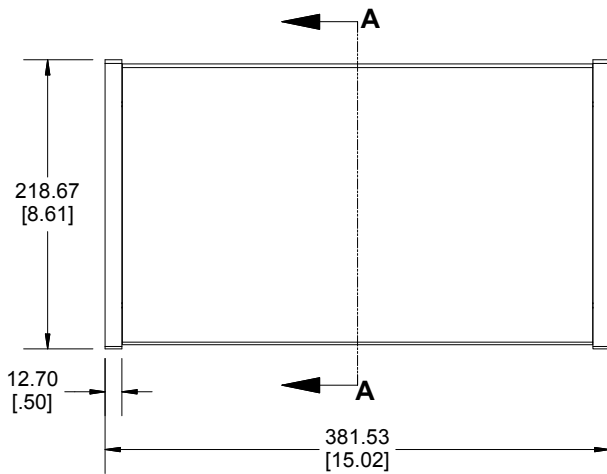


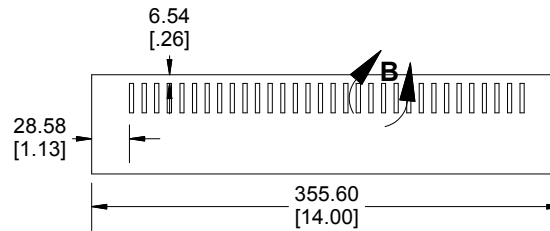
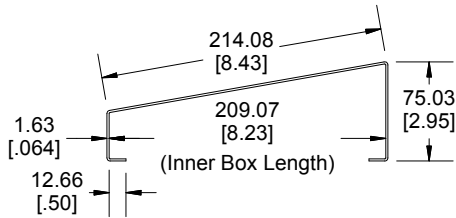
SECTION A-A
Side View of Assembly



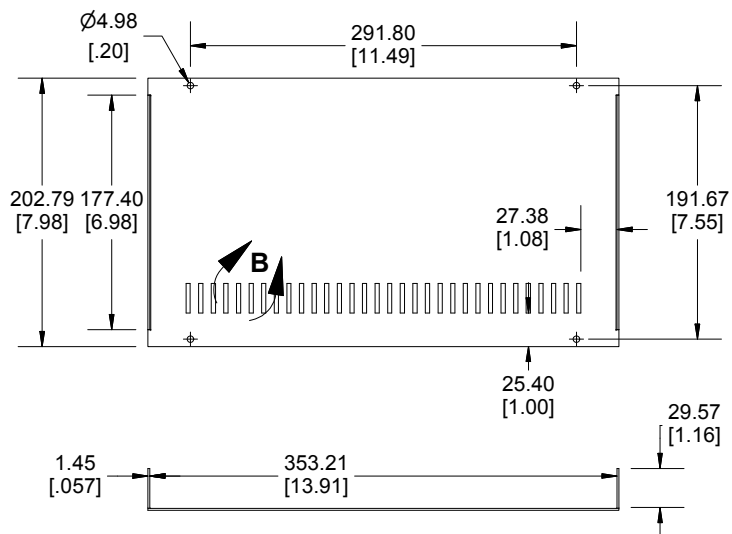
Top View of Assembly



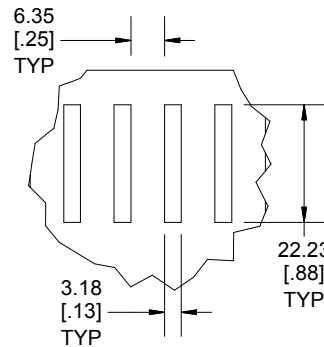
Side View of Top Panel



Top View of Case



DETAIL B



Enclosures can be Factory Modified (Milling, Drilling, Printing etc.)
Contact Factory mjm@hammondmfg.com for quotes
Solid models of this enclosure available in STEP or IGES.

NOTE

Case Includes Wooden Sides, Adhesive Rubber Feet and Required Hardware.
Enclosure Case is Made of 0.057" Steel.
Top Panel is Made of 0.064" Aluminum.

PART NUMBERS

1456PH1WHCWW Enclosure	
Beige Top and Black Case	1456PH1WHCWW
ACCESSORIES	
Plated Cover Screws (Pkg 6) [6-32 x 1/4" Self-Tapping Screws]	1421J6
Black Self-Adhesive Rubber Feet (Pkg 24)	1421T3

**HAMMOND
MANUFACTURING™**
1456PH1CWW
www.hammondmfg.com

Note
Dimensions: mm [inches]