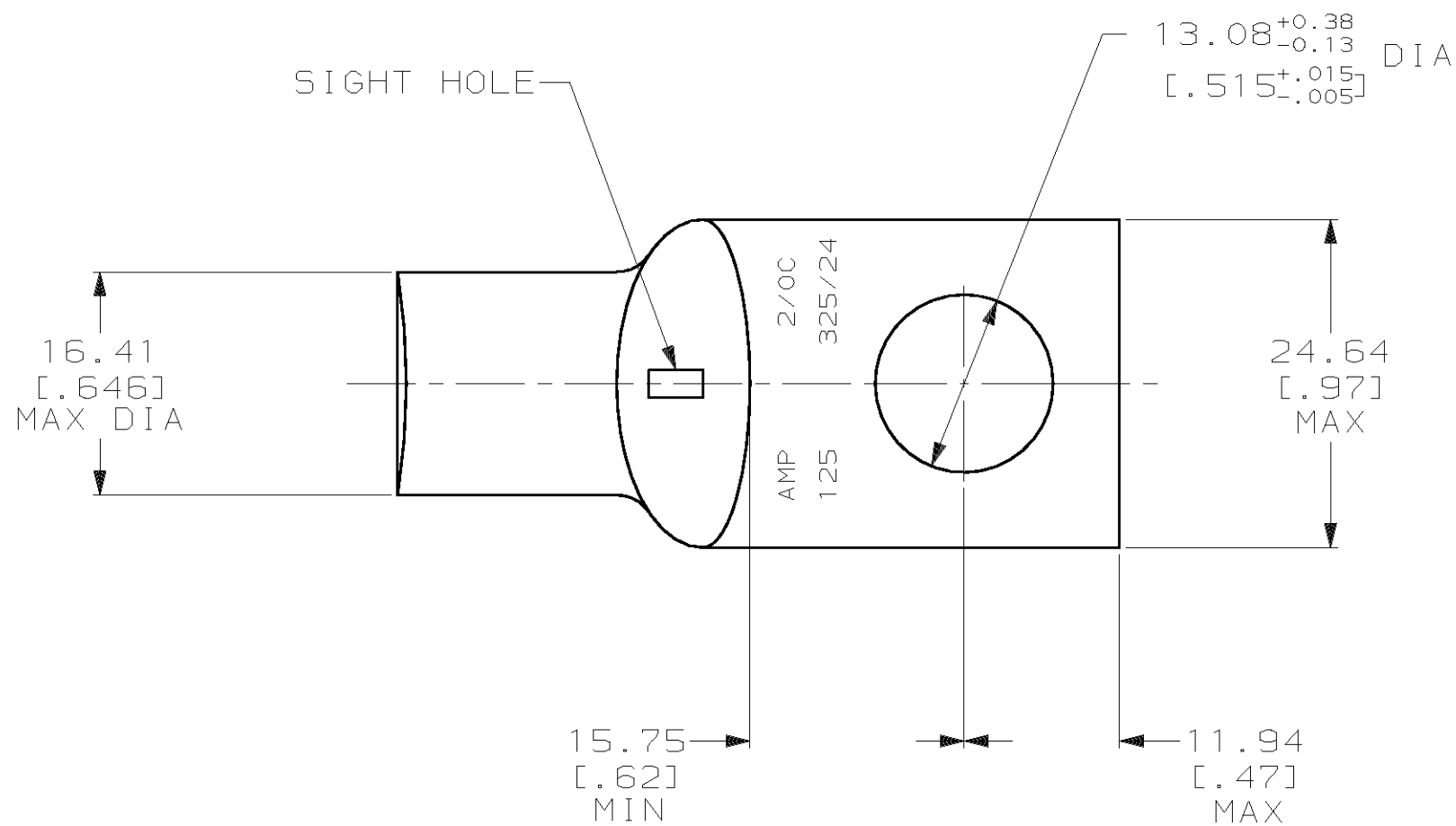
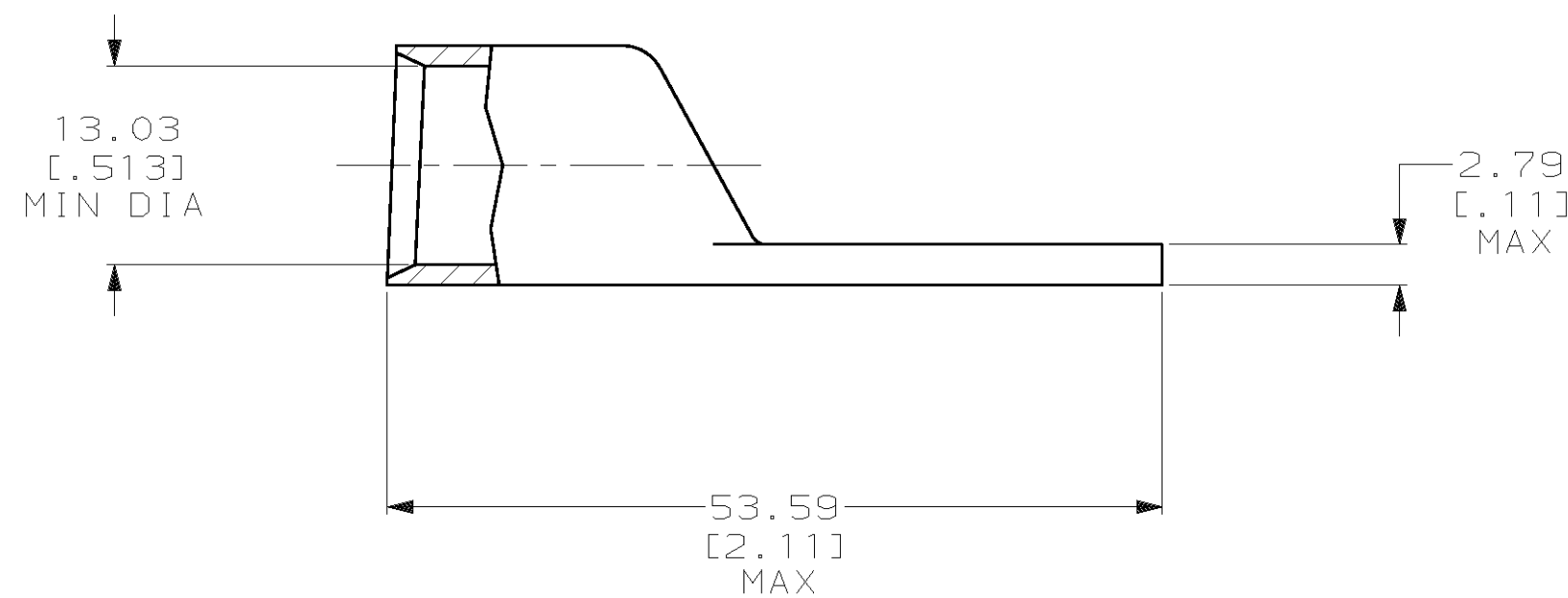


THIS DRAWING IS UNPUBLISHED. RELEASED FOR PUBLICATION, 19 .
 © COPYRIGHT 19 BY AMP INCORPORATED. ALL INTERNATIONAL RIGHTS RESERVED.

LOC		DIST		P		F		ZONE		LTR		REVISIONS		DATE	APPD
G	86												DESCRIPTION	070CT02	JR/MS
													R	REV PER 0G3A-0561-01	



- 1 CIRCULAR MIL AREA RANGE: 119,500-150,500 CM
- 2 TIN PL 0.00381 [.000150] MIN THK PER MIL-T-10727



325405

325405
PART NO

DO NOT SCALE PRINT. UNLESS SPECIFIED DIMENSIONS IN mm [INCHES] TOLERANCES ON : 2 PLC DEC ± 0.51 [.020] 3 PLC DEC ± - ANGLES ± -		DR 02/28/90 DK SCHRUM		AMP INCORPORATED Harrisburg, Pa. 17105	
MATERIAL ANNEALED COPPER ASTM B-75		CHK 17JAN95 MS FEHER			
FINISH △		APPD 17JAN95 WJ VOCKROTH		NAME TERMINAL, AMPOWER WIRE SIZE: 2/0 AWG	
APPLICATION SPEC -		APPD 17JAN95 TL SHUTTER		DRAWING NO 325405	
WEIGHT .052 LB		PRODUCT SPEC -		CAGE CODE 00779	
		SCALE 2:1		SHEET 1 OF 1	

