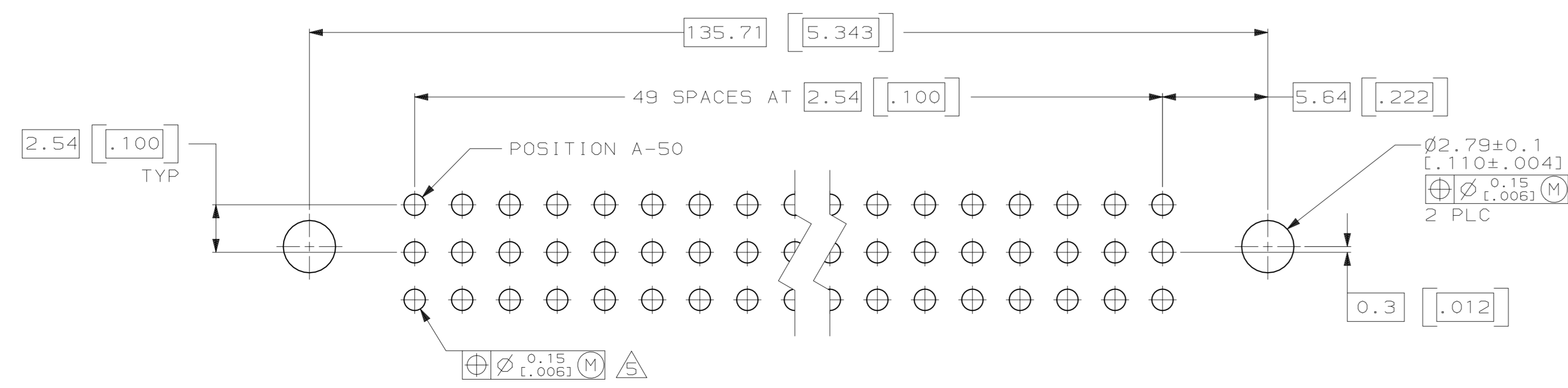
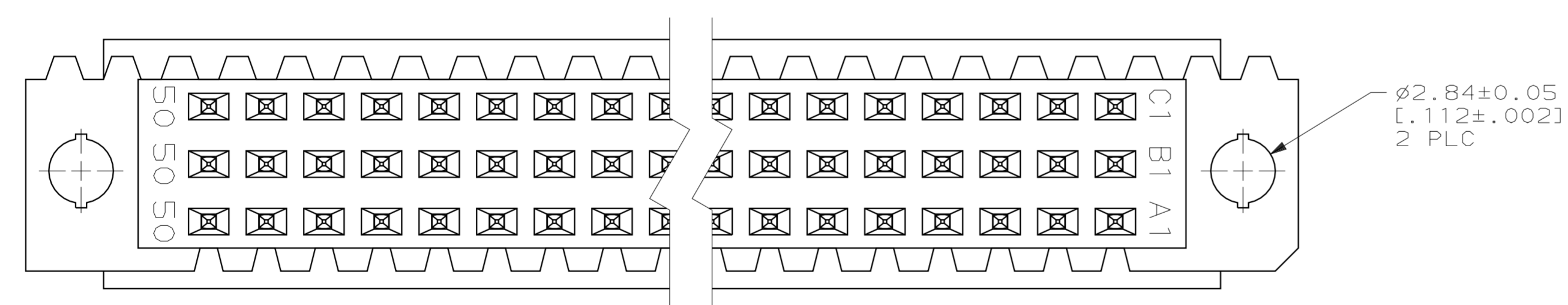
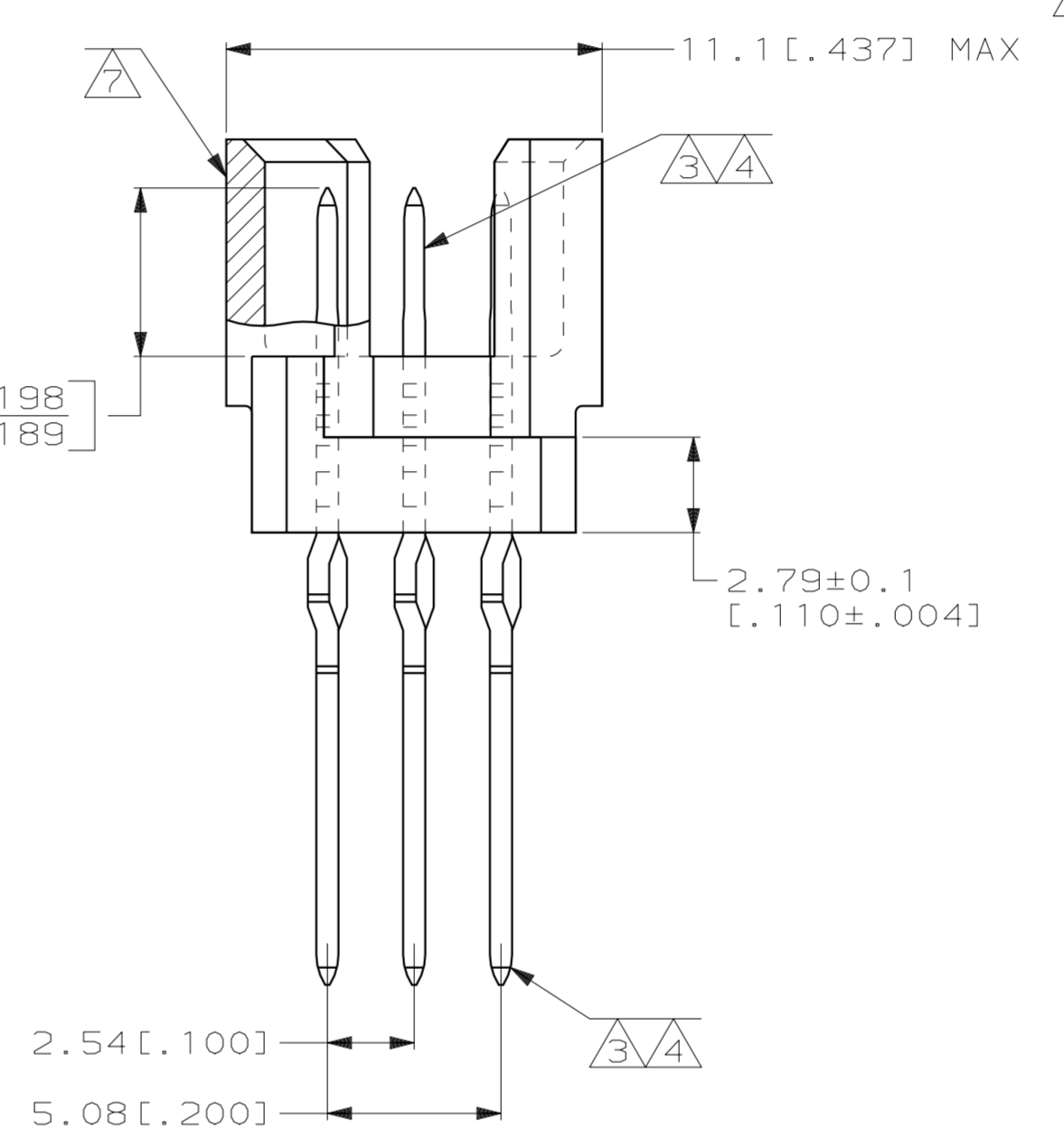
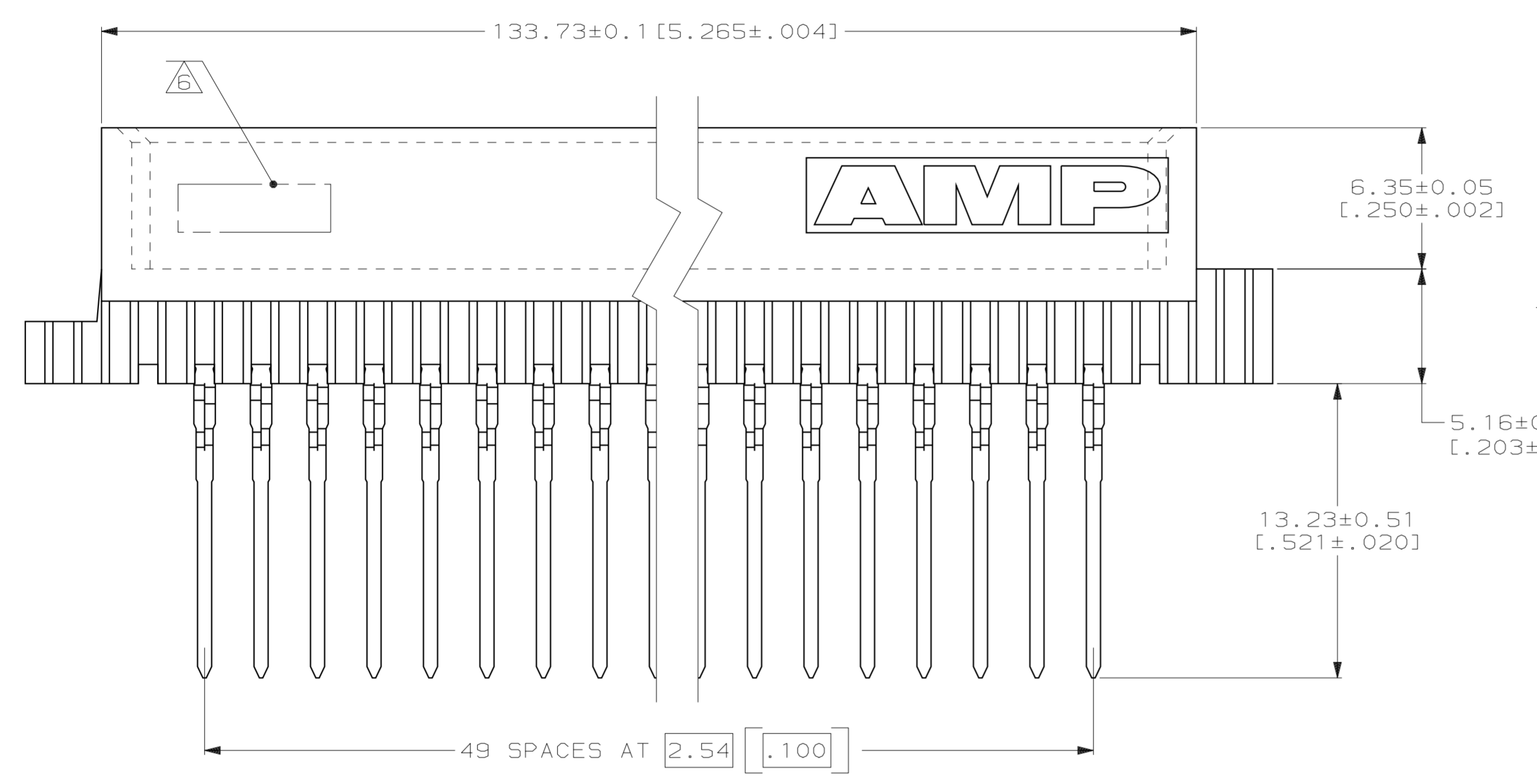
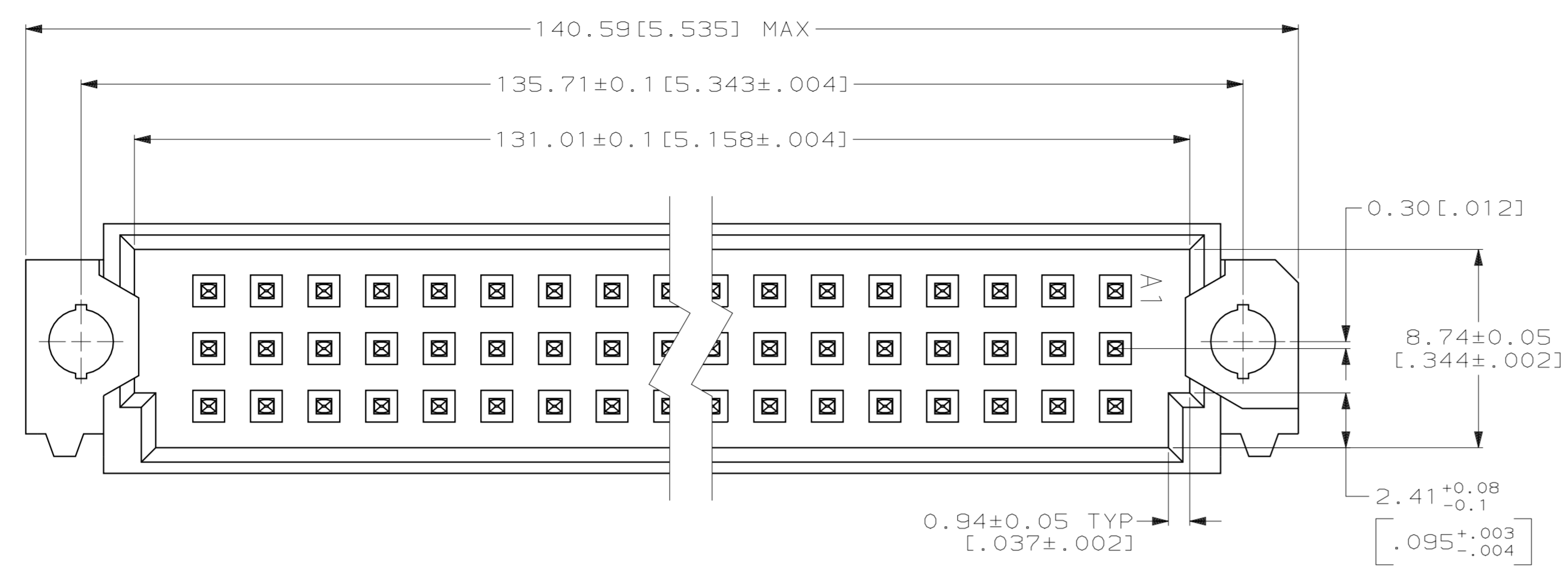


LOC	DIST	P	F	ZONE	LTR	REVISIONS	DATE	APPD
AD	25					0 DRAWN	-	-
						B ECN AD5586; AD5640	6/10/91	LSB
						C ECN AD5876	11/14/91	LSB
						D ECN AD5871	12/30/91	LSB
						E ECN AD6256	6/2/92	LSB
						F EC 0010-0613-93	5/28/93	LSB
						G EC 0010-0151-94	2/7/94	LSB
						H EC 0010-0436-94	3/25/94	LSB



- △ HOUSING MATERIAL: GLASS-FILLED POLYESTER. COLOR: GRAY.
- △ POST MATERIAL: PHOSPHOR BRONZE.
- △ POST FINISH: DIN 41612 CLASS 3 IN CONTACT AREA. TIN-LEAD PLATE ON POSTS.
- △ POST FINISH: DIN 41612 CLASS 2 IN CONTACT AREA. TIN-LEAD PLATE ON POSTS.
- △ ACTION PIN POSTS REQUIRE 2.36 [0.093] MINIMUM THICK PC BOARD. RECOMMENDED PC BOARD HOLES ARE 1.151 [0.0453] DIA PLATED THROUGH WITH 0.02-0.08 [0.001-.003] COPPER AND 0.008 [0.0003] MINIMUM TIN-LEAD PLATING. FINISHED HOLE AFTER PLATING, 0.94-1.09 [0.037-.043] DIA.
- △ [PART NUMBER, DATE CODE] MARKED THIS APPROXIMATE AREA.
- △ MARKING ON THIS SIDE.

OBSOLETE							
	3	1-50	X	X	X	150	650923-9
	4	1-50	X	X	X	150	650923-5
NOTES	POSITIONS LOADED	C	B	A	NO. OF LOADED POSITION	ASSY PART NUMBER	

DO NOT SCALE PRINT. UNLESS SPECIFIED DIMENSIONS IN mm [INCHES] TOLERANCES - ON : 1 PLC DEC ± - 2 PLC DEC ± 0.13 [0.005] ANGLES ± -		DR L. BRINER 3/18/91	PART NO	
CHK D.C. RUBENDALL 3/26/91	APPD D.C. RUBENDALL 3/26/91	AMP Incorporated Harrisburg, PA 17105-3608		
MATERIAL HOUSING: △ POST: △	APPD K.R. PARMER 3/26/91	NAME PIN ASSEMBLY, EUROCARD, TYPE "R"		
FINISH POST: △ △	APPLICATION SPEC	SIZE D	CAGE CODE 00779	
WEIGHT		DRAWING NO	650923	
		SCALE	5:1	
		SHEET	1 OF 1	