

MODEL:

SRXCOOL12K

SmartRack® Self-Contained Portable Air Conditioning Unit

**12,000
BTU**

12,000 BTU



Effective Spot Cooling



Standard Schuko
CEE 7/7 Plug

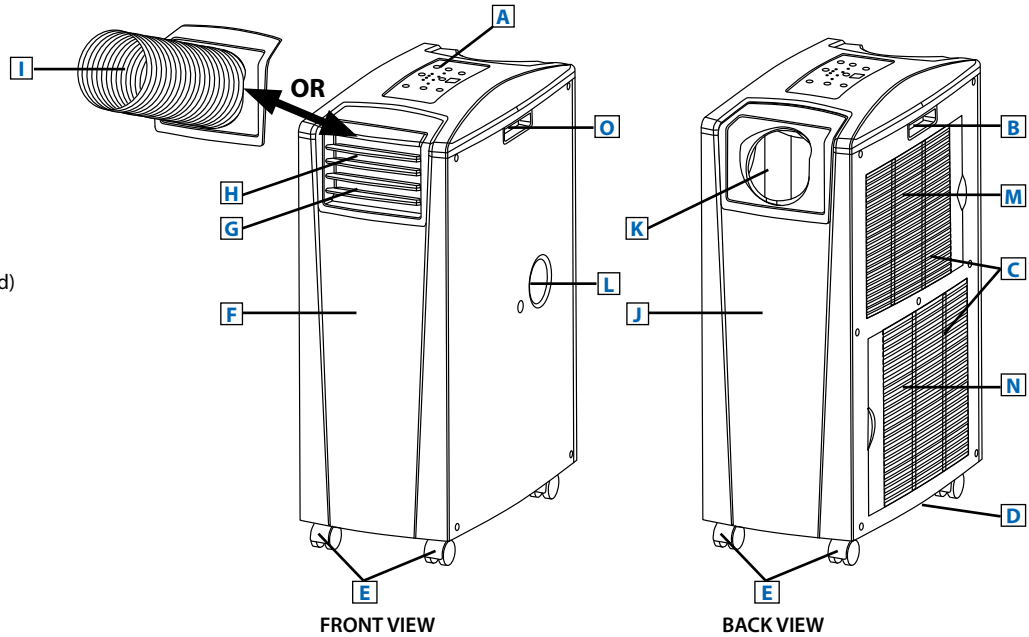


Filters and
Dehumidifies Air



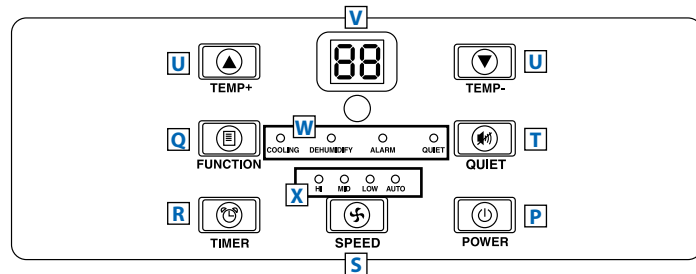
Intuitive LCD Screen

- A** Control Panel
- B** Recessed Handles
- C** Air Filter Covers
- D** Drainage Outlet
- E** Casters
- F** Front Panel
- G** Cool Air Output
- H** Louvered Vent Insert (Pre-Installed)
- I** Cooling Duct Adapter
- J** Rear Panel
- K** Warm Air Exhaust
- L** Evaporator Drainage Outlet
- M** Evaporator Filter
- N** Condenser Filter
- O** Remote Monitoring Jack



Control Panel

- P** "POWER" Button
- Q** "FUNCTION" Button
- R** "TIMER" Button
- S** "FAN SPEED" Button
- T** "QUIET" Button
- U** Temperature Control Buttons
- V** LCD Screen
- W** Operating Mode LEDs
- X** Fan Speed Mode LEDs



- Offers 12,000 BTU of hot-spot and general room cooling with two exchangeable vent styles
- Compact, portable, self-contained design with built-in evaporator reduces maintenance—no water collection tank or drain required
- Filters and dehumidifies air to protect equipment
- Features remote control, management and true spot cooling capabilities (requires optional SRCOOLNET Web Management Accessory, sold separately)

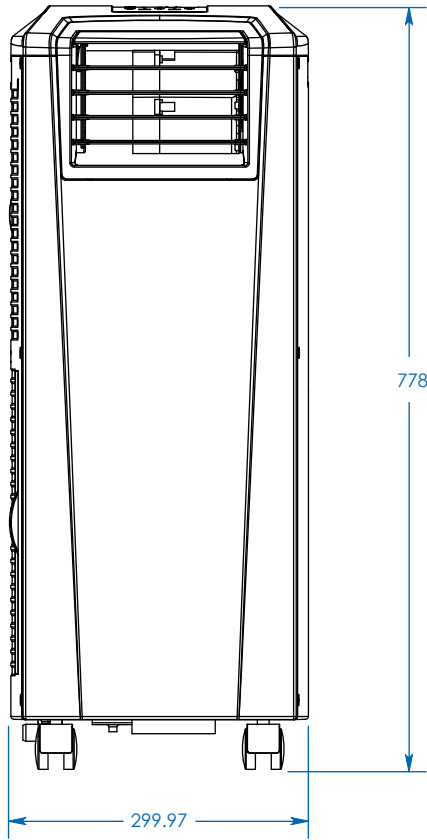
SEE NEXT PAGE FOR DETAILED UNIT MEASUREMENTS

Specifications

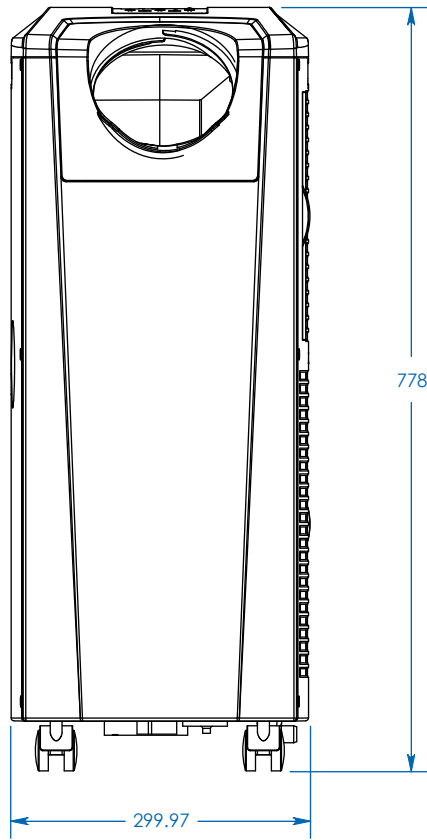
Model	SRXCOOL12K
Cooling Capacity	12,000 BTU / 3.5 kW
Input Voltage / Frequency	230V AC / 50 Hz
Power Consumption	1250W Max.
Input Cord / Connector	1.8 m / Schuko CEE 7/7
Unit Dimensions (H x W x D)	778 x 300 x 505 mm
Shipping Dimensions (H x W x D)	850 x 385 x 740 mm
Unit Weight	33.6 kg
Shipping Weight	35 kg
Standards	Tested to CE, RoHS; R410A Refrigerant

TRIPP·LITE

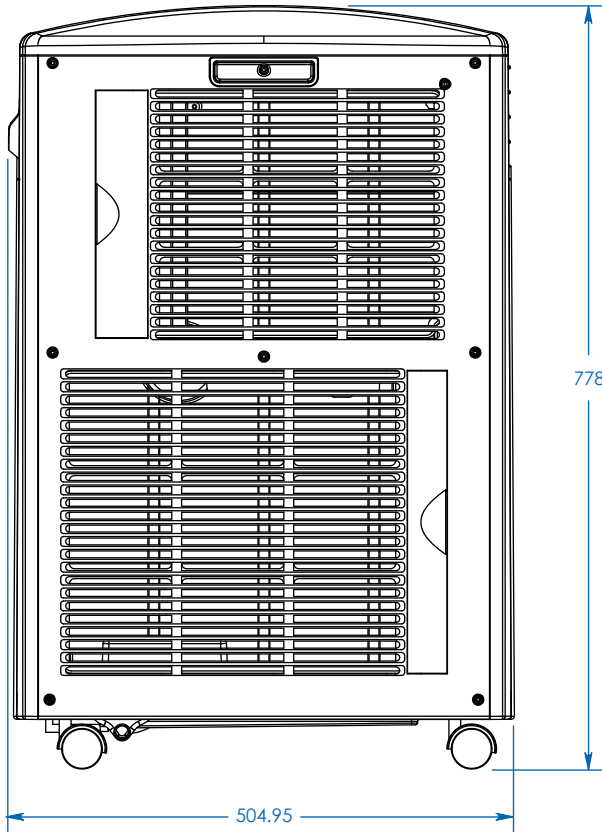
1111 W. 35th Street
Chicago, IL 60609 USA
773.869.1234
www.triplite.com



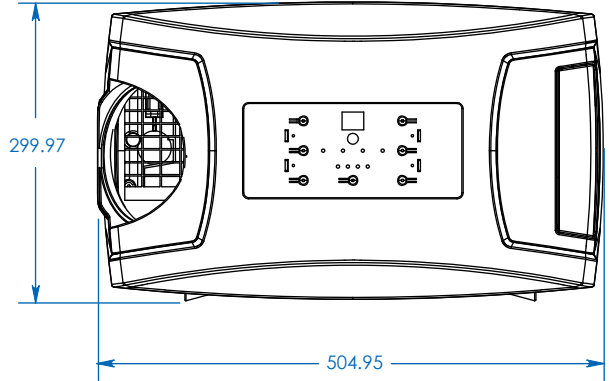
FRONT VIEW



BACK VIEW



SIDE VIEW



TOP VIEW

Dimensions: mm

Tripp Lite has a policy of continuous improvement. Specifications are subject to change without notice.

MODEL:
SRXCOOL12K
TRIPP·LITE

1111 W. 35th Street
Chicago, IL 60609 USA
773.869.1234
www.triplite.com