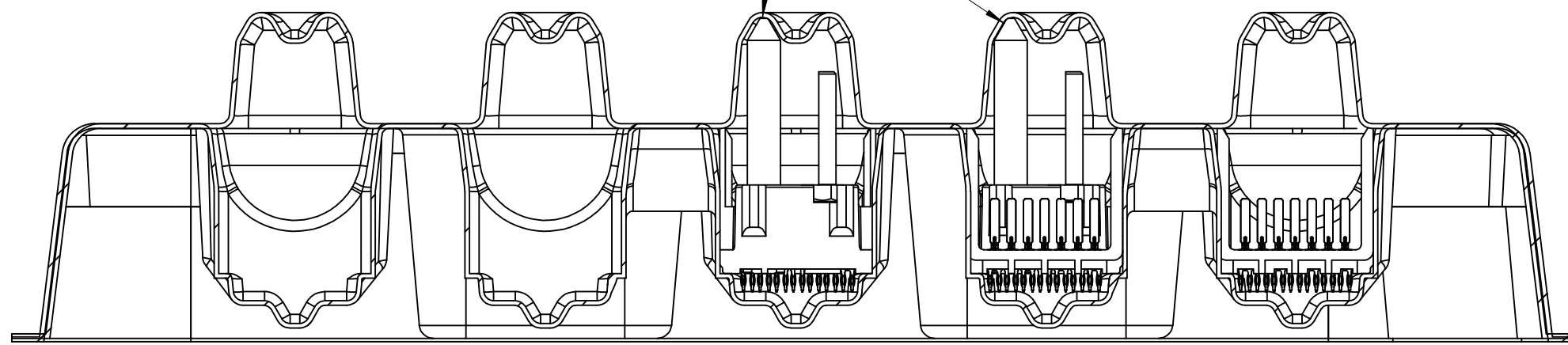


ADDITIONAL NOTES:

1. ONCE SMALL TRAY CARTON IS PACKED, USE TWO STRIPS OF TAPE TO SEAL CARTON. THEN PROCEED TO PACKAGING SPECIFICATION PK-70873-550.
2. ALWAYS USE 5 TRAYS STACKED IN BOX. IF MOQ/SPQ IS BROKEN, USE EMPTY TRAYS TO MAINTAIN BOX STABILITY.
3. ASSEMBLIES WITH GUIDE PINS TO BE ORIENTATED IN CONNECTOR POCKET WITH GUIDE PIN SIDE AWAY FROM BROKEN CORDER SIDE OF TRAY.
4. THE 5 POCKETS CAN BE USED FOR PACKAGING HARDWARE (WHEN REQUIRED).

BACKPLANE ASSEMBLY DESCRIPTION	QTY PER POCKET	QTY PER TRAY	QTY PER BOX (MOQ/SPQ)
4 COLUMN OPEN	18	90	450
6 COLUMN OPEN	12	60	300
10 COLUMN OPEN	7	35	175
4 COLUMN GUIDE	12	60	300
6 COLUMN GUIDE	9	45	225
10 COLUMN GUIDE	6	30	150
4 COLUMN DUAL END	15	75	375
6 COLUMN DUAL END	11	55	275
10 COLUMN DUAL END	6	30	150
4 COLUMN SINGLE END	17	85	425
6 COLUMN SINGLE END	11	55	275
10 COLUMN SINGLE END	7	35	175
4 COLUMN GUIDE W/END	12	60	300
6 COLUMN GUIDE W/END	9	45	225
10 COLUMN GUIDE W/END	6	30	150

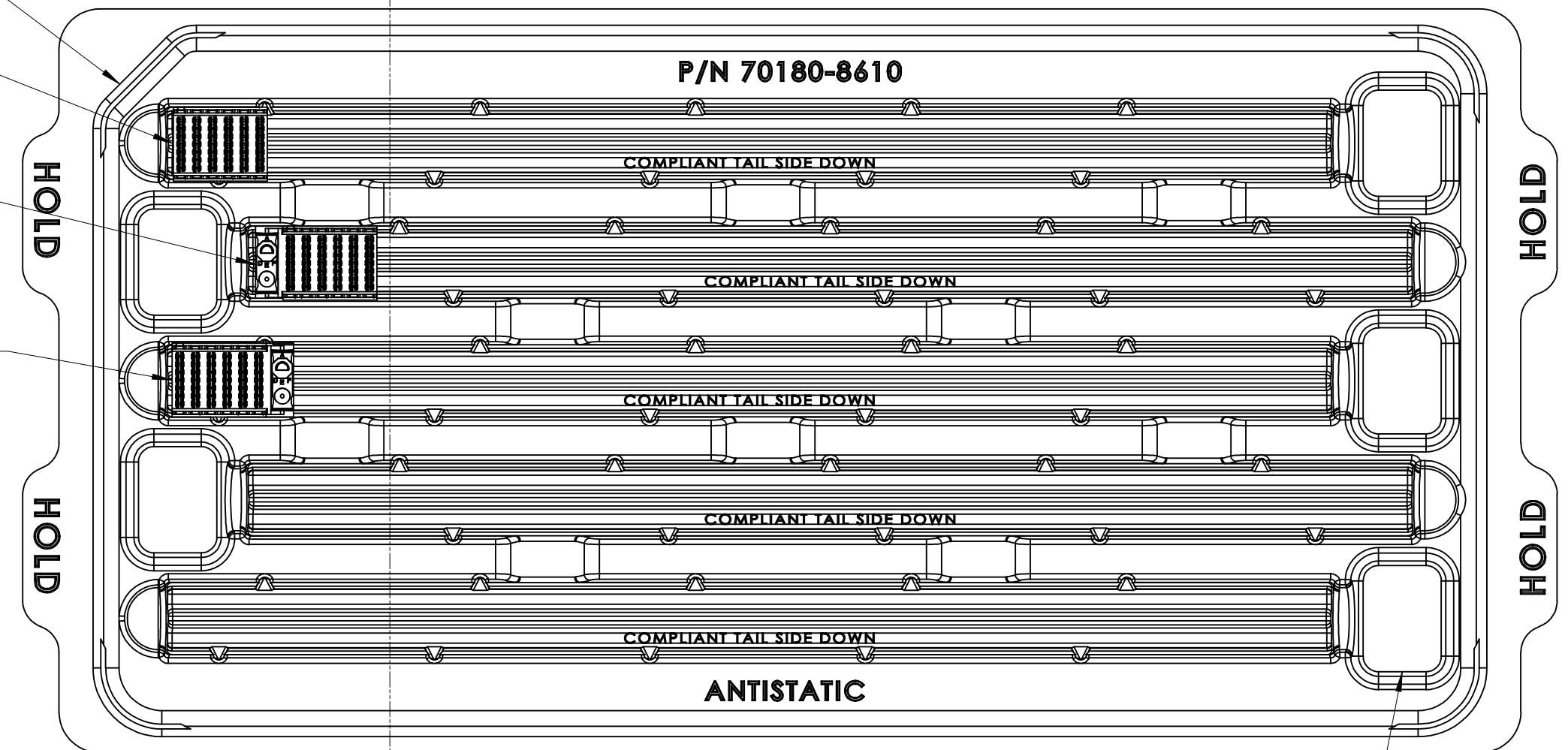
GUIDE PIN ORIENTATION
SEE NOTE 3



SECTION Z-Z
SCALE 1.5:1

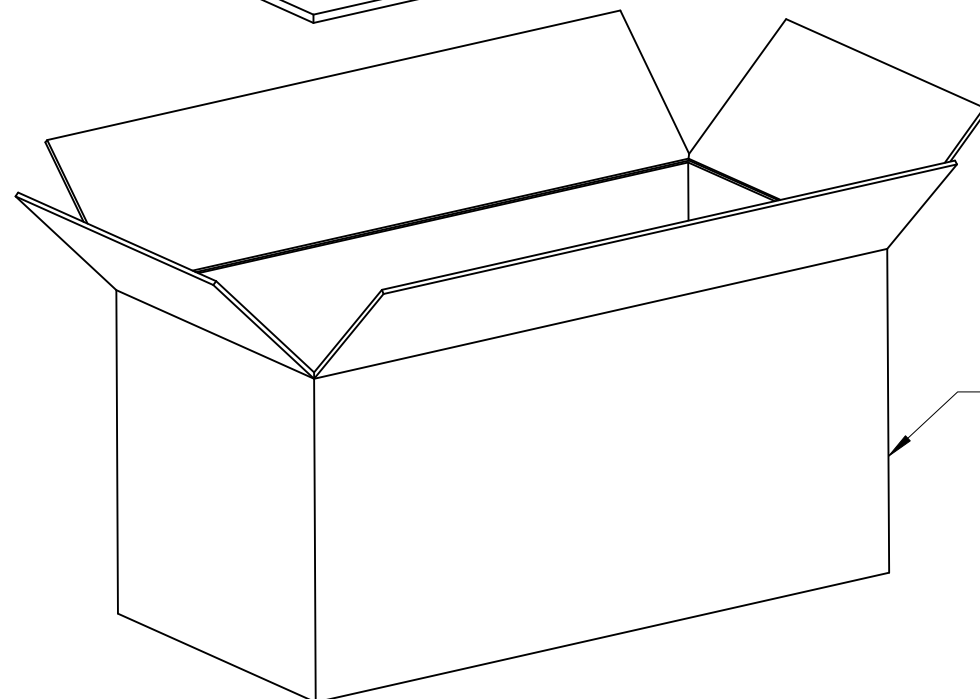
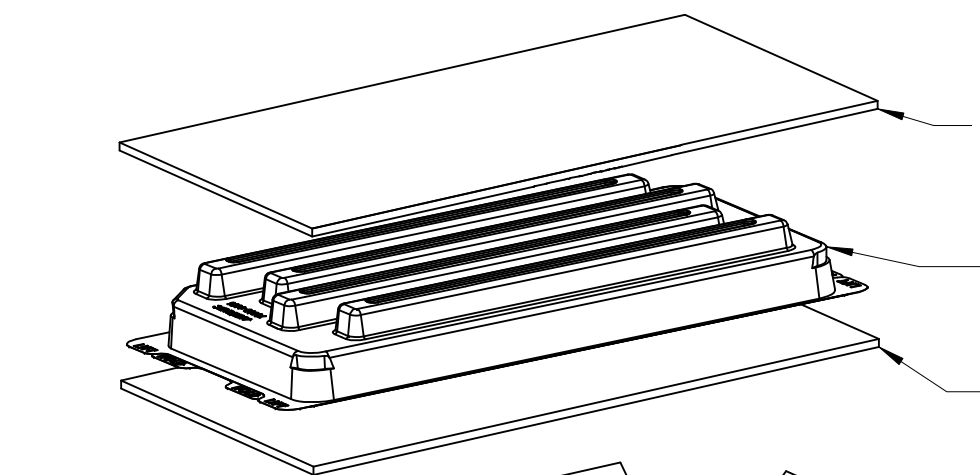
BROKEN CORNER
SEE NOTE 3

- 6 COLUMN OPEN
- 6 COLUMN LEFT
SEE NOTE 3
- 6 COLUMN RIGHT
SEE NOTE 3



HARDWARE POCKETS
SEE NOTE 4
5X

- (1) 96720-0001 MICROFOAM PADS
- (5) COMBINED TRAYS (70180-8610 & 8611)
- (1) 96720-0001 MICROFOAM PAD



REMOVE CHIPBOARD EC NO: UCP2011-2682 DRWN: MWOLFE 2011/04/01 CHKD: SDANNELLEY 2011/04/01 APPR: SMILLER 2011/04/20	QUALITY SYMBOLS	GENERAL TOLERANCES (UNLESS SPECIFIED)		DIMENSION STYLE MM ONLY		SCALE 1:2	DESIGN UNITS METRIC	THIRD ANGLE PROJECTION	
			mm	INCH	DRAWN BY BPISZCZOR	DATE 2008/06/24	TITLE PACKAGING SPECIFICATION I-TRAC 7 ROW BP ASSY		
		4 PLACES	± ---	± ---	CHECKED BY RNELSON	DATE 2008/06/24	MATERIAL NO. 70873-8002		
		3 PLACES	± ---	± ---	APPROVED BY JBINGHAM	DATE 2010/11/12	DOCUMENT NO. PK-70873-802		
	2 PLACES	± ---	± ---	DRAFT WHERE APPLICABLE MUST REMAIN WITHIN DIMENSIONS		SHEET NO. 1 OF 1			
	1 PLACE	± ---	± ---	ANGULAR ± ---°		THIS DRAWING CONTAINS INFORMATION THAT IS PROPRIETARY TO MOLEX INCORPORATED AND SHOULD NOT BE USED WITHOUT WRITTEN PERMISSION			