

DO NOT SCALE FROM THIS PRINT

DESIGNED & DIMENSIONED IN MILLIMETERS [INCHES]

RCEF-X-XX

PLATING SPECIFICATION

-G: 0.00127 [0.00050]  
GOLD ON CONTACT AREAS  
NICKEL ON SHELL

STYLE

-01: FOR CABLE OD RANGE OF 5.00 [0.197]-5.75 [0.226] (YELLOW SEALING GLAND)  
-02: FOR CABLE OD RANGE OF 5.75 [0.226]-6.50 [0.256] (ORANGE SEALING GLAND)

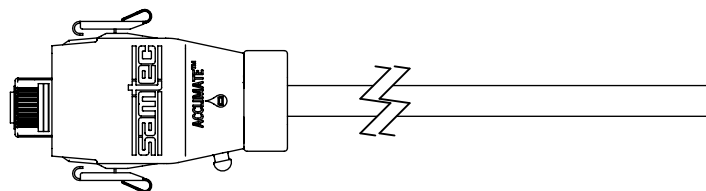
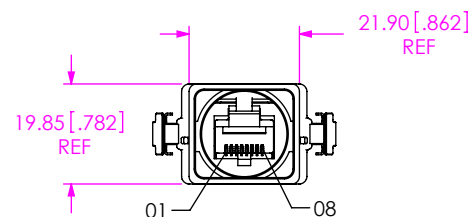
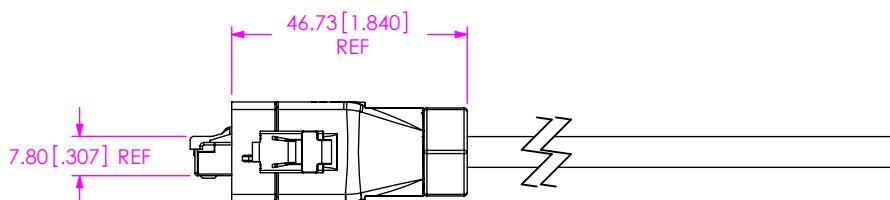
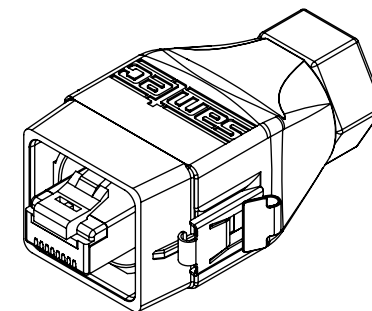
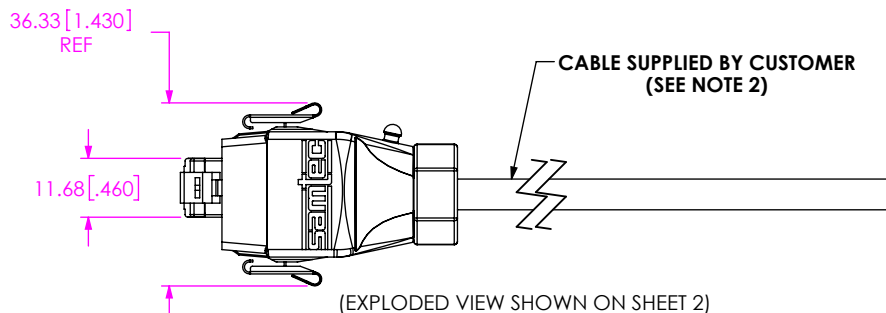


FIG 1  
RCEF-G-XX SHOWN  
(SEE FIG 2 ON SEET 2 FOR EXPLODED VIEW)

**TABLE 2: PIN-OUT**

POS	COLOR	
01	WHITE/ORANGE	TWISTING
02	ORANGE	
03	WHITE/GREEN	TWISTING
04	BLUE	
05	WHITE/BLUE	TWISTING
06	GREEN	
07	WHITE/BROWN	TWISTING
08	BROWN	

**TABLE 1: BOM**

PART NUMBER	ITEM	MATERIAL	QTY
SUB-MODP-01-8P8C-S-01	ETHERNET PLUG	RJ45	1
SCN-17-02	CABLE NUT	NYLON	1
RCEF-B-01	HOUSING WITH LATCHES	NYLON	1
RCEF-B-02	ETHERNET SHROUD	NYLON	1
SG-17-XX	SEALING GLAND	NEOPRENE	1
NCC-17-01	COMPRESSION CAGE	NYLON	1

NOTES:

1. RECOMMENDED CABLE SHOULD BE CAT5E WITH A CABLE DIAMETER RANGE OF 5.0-6.5MM.
2. KIT TO BE SHIPPED IN HEAT-SEALED, PINK POLY BAGS. SEE TABLE 1 FOR BILL OF MATERIALS.


UNLESS OTHERWISE SPECIFIED, DIMENSIONS ARE IN MILLIMETERS.  
TOLERANCES ARE:  
DECIMALS ANGLES  
X.X: ±0.3 [01] 2°  
X.XX: ±0.13 [005]  
X.XXX: ±0.051 [0020]

PROPRIETARY NOTE  
THIS DOCUMENT CONTAINS CONFIDENTIAL AND PROPRIETARY INFORMATION AND ALL DESIGN, MANUFACTURING, REPRODUCTION, USE, PATENT RIGHTS AND SALES RIGHTS ARE EXPRESSLY RESERVED BY SAMTEC, INC. THIS DOCUMENT SHALL NOT BE DISCLOSED, IN WHOLE OR PART, TO ANY UNAUTHORIZED PERSON OR ENTITY NOR REPRODUCED, TRANSFERRED OR INCORPORATED IN ANY OTHER PROJECT IN ANY MANNER WITHOUT THE EXPRESS WRITTEN CONSENT OF SAMTEC, INC.

MATERIAL: DO NOT SCALE DRAWING SHEET SCALE: 2:1

LATCHES: BeCu  
(SEE TABLE 1 FOR KIT MATERIAL)

F:\DWG\MISC\MKTG\RCEF-X-XX-MKT.SLDDRW



520 PARK EAST BLVD, NEW ALBANY, IN 47150  
PHONE: 812-944-6733 FAX: 812-948-5047  
e-Mail: info@SAMTEC.com code 55322

DESCRIPTION:  
RECTANGULAR FIELD TERMINATED ETHERNET  
DWG. NO.  
**RCEF-X-XX**

BY: B HARPENAU 12/03/2009 SHEET 1 OF 2

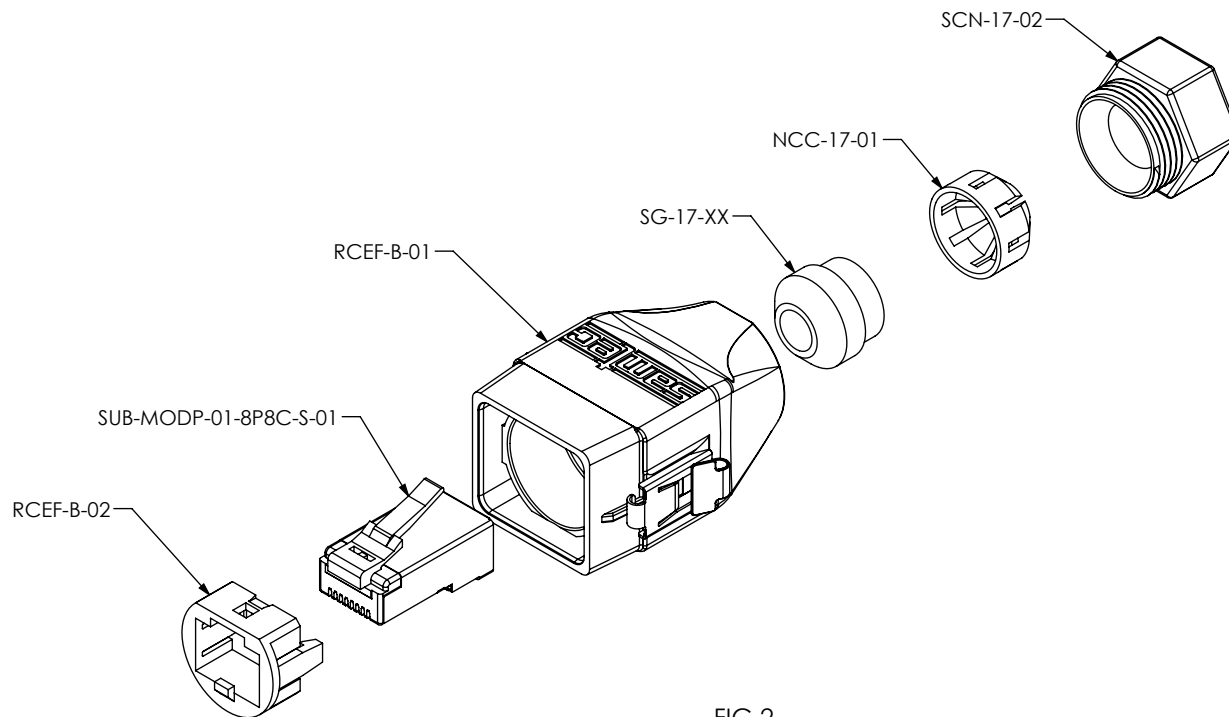


FIG 2  
(SEE TABLE 2 FOR RECOMMENDED PIN OUT)

PROPRIETARY NOTE  
 THIS DOCUMENT CONTAINS CONFIDENTIAL AND PROPRIETARY INFORMATION AND ALL DESIGN, MANUFACTURING, REPRODUCTION, USE, PATENT RIGHTS AND SALES RIGHTS ARE EXPRESSLY RESERVED BY SAMTEC, INC. THIS DOCUMENT SHALL NOT BE DISCLOSED, IN WHOLE OR PART, TO ANY UNAUTHORIZED PERSON OR ENTITY NOR REPRODUCED, TRANSFERRED OR INCORPORATED IN ANY OTHER PROJECT IN ANY MANNER WITHOUT THE EXPRESS WRITTEN CONSENT OF SAMTEC, INC.

DO NOT SCALE DRAWING

SHEET SCALE: 1:1



520 PARK EAST BLVD, NEW ALBANY, IN 47150  
 PHONE: 812-944-6733 FAX: 812-948-5047  
 e-Mail info@SAMTEC.com code 55322

DESCRIPTION:  
 RECTANGULAR FIELD TERMINATED ETHERNET

DWG. NO. RCEF-X-XX

BY: B HARPENAU 12/03/2009 SHEET 2 OF 2