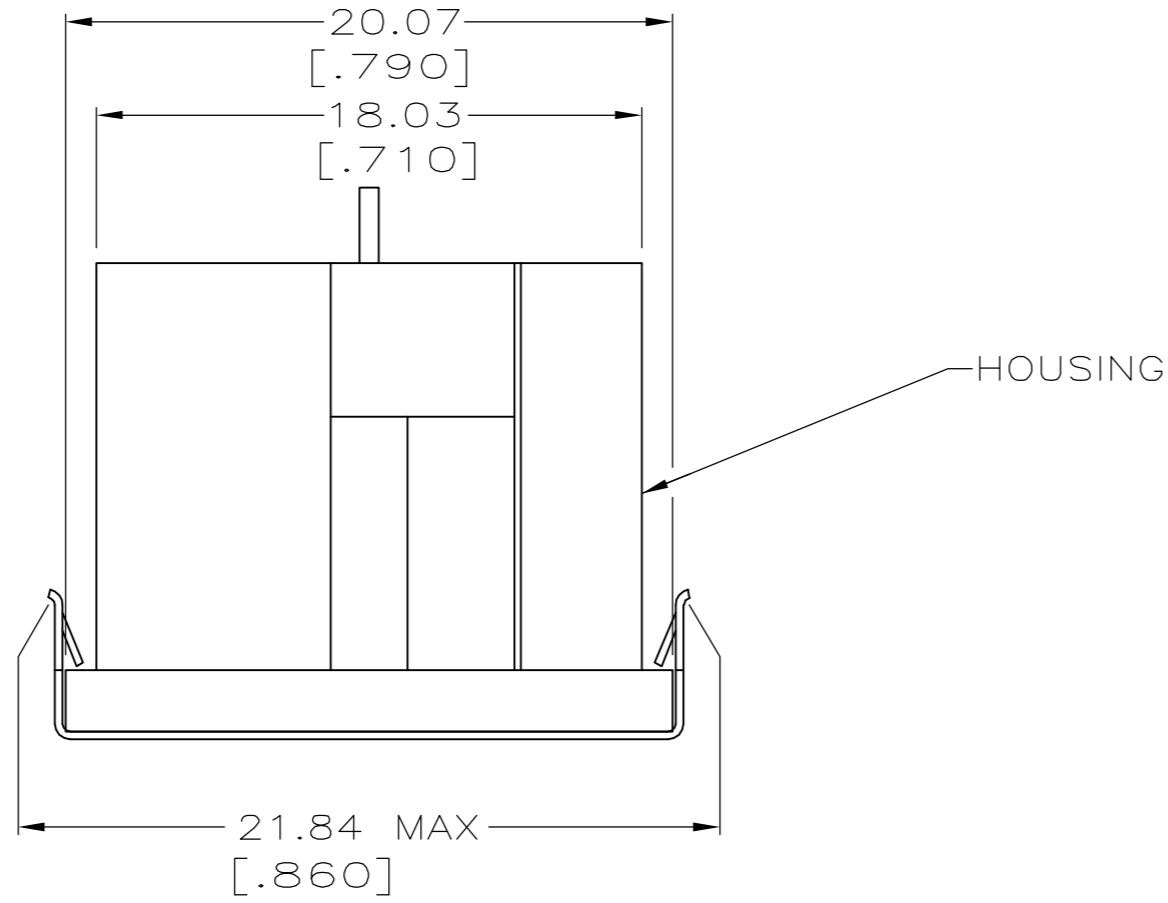
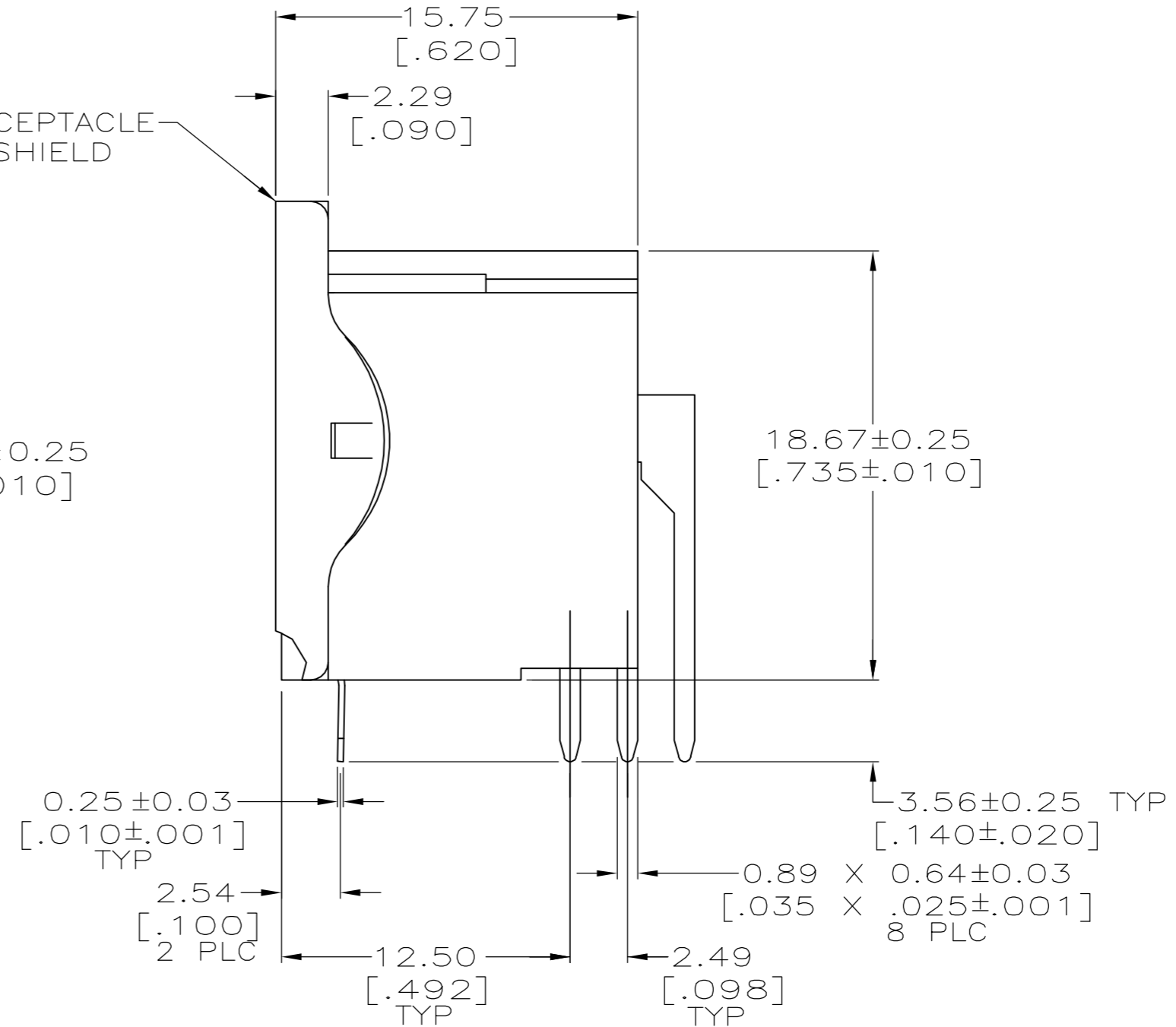
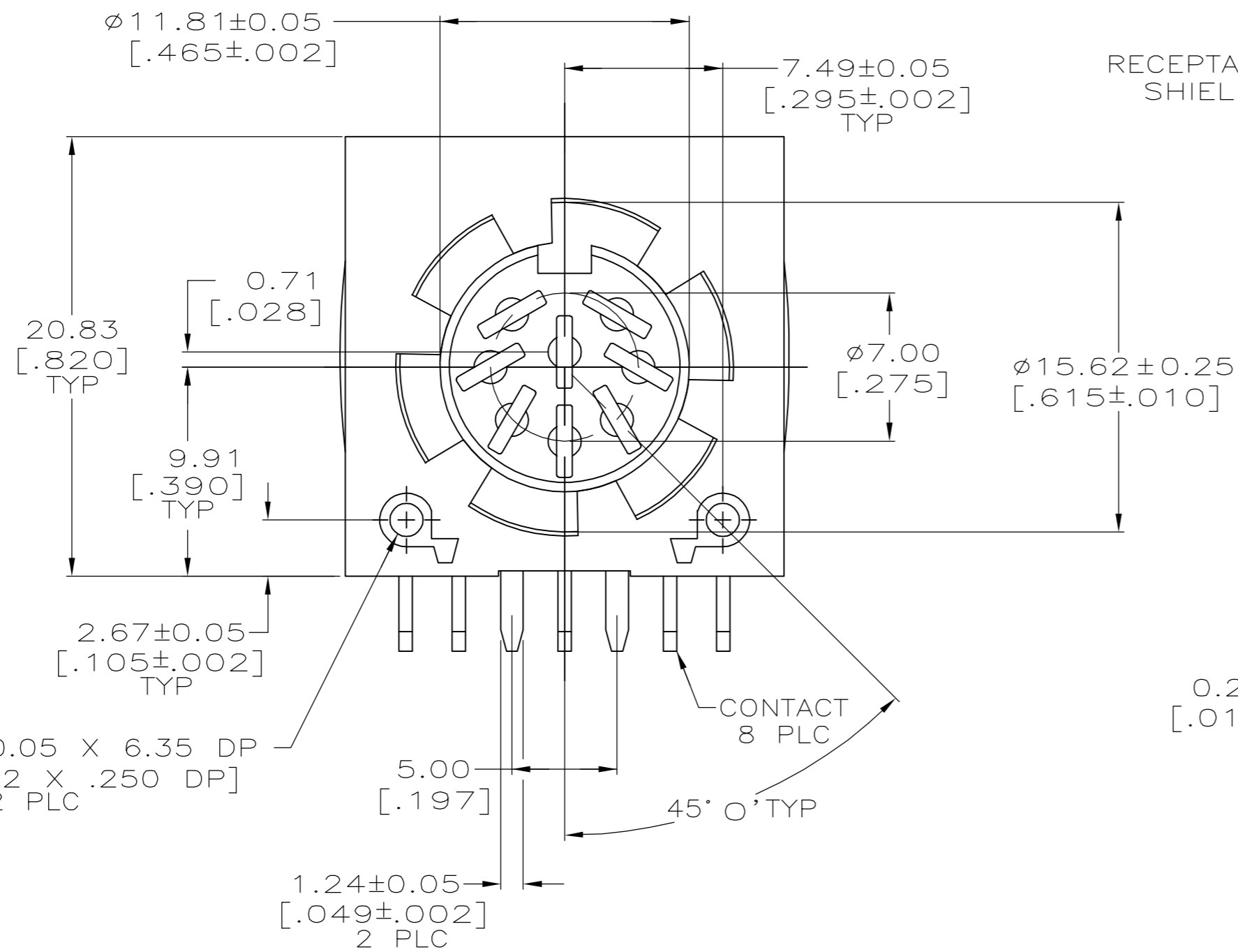


THIS DRAWING IS UNPUBLISHED. RELEASED FOR PUBLICATION
 © COPYRIGHT BY TYCO ELECTRONICS CORPORATION. ALL RIGHTS RESERVED.

LOC		DIST		REVISIONS			
P	LTR	DESCRIPTION		DATE	DWN	APVD	
GP	00	01		REVISED PER ECO-07-008008	10APR07	JDP/CWR	



- ① HOUSING: NYLON, UL 94V-0 RATED, BLACK.
- ② CONTACTS & RECEPTACLE SHIELD: 2.54μm [.000100] MIN TIN OVER 1.27μm [.000050] MIN NICKEL.
- ③ ACCEPTS #2 SELF-TAPPING SCREW, .250 LONG REF.
- ④ CONTACTS & RECEPTACLE SHIELD: BRASS.



5212034

5212034-1
 PART NUMBER

THIS DRAWING IS A CONTROLLED DOCUMENT.		DWN	L. VARELA - DOCK5	11-12-04	 Tyco Electronics Corporation Harrisburg, PA 17105-3608
DIMENSIONS: mm [INCHES]		CHK	C. ROHDE	11-12-04	
TOLERANCES UNLESS OTHERWISE SPECIFIED:		APVD	M. WALMSLEY	11-12-04	NAME
0 PLC ± -		PRODUCT SPEC	108-10047		RECEPTACLE ASSY, RIGHT ANGLE, SHIELDED, 8 POSITION, W/MTG HOLES, CIRCULAR DIN
1 PLC ± -		APPLICATION SPEC	114-40025		SIZE
2 PLC ± 0.13[.005]		WEIGHT	-		CAGE CODE
3 PLC ± -		CUSTOMER DRAWING			DRAWING NO
4 PLC ± -		SCALE	4:1		RESTRICTED TO
ANGLES ± 0° 30'		SHEET	1 of 1		REV
FINISH	②	REV	01		