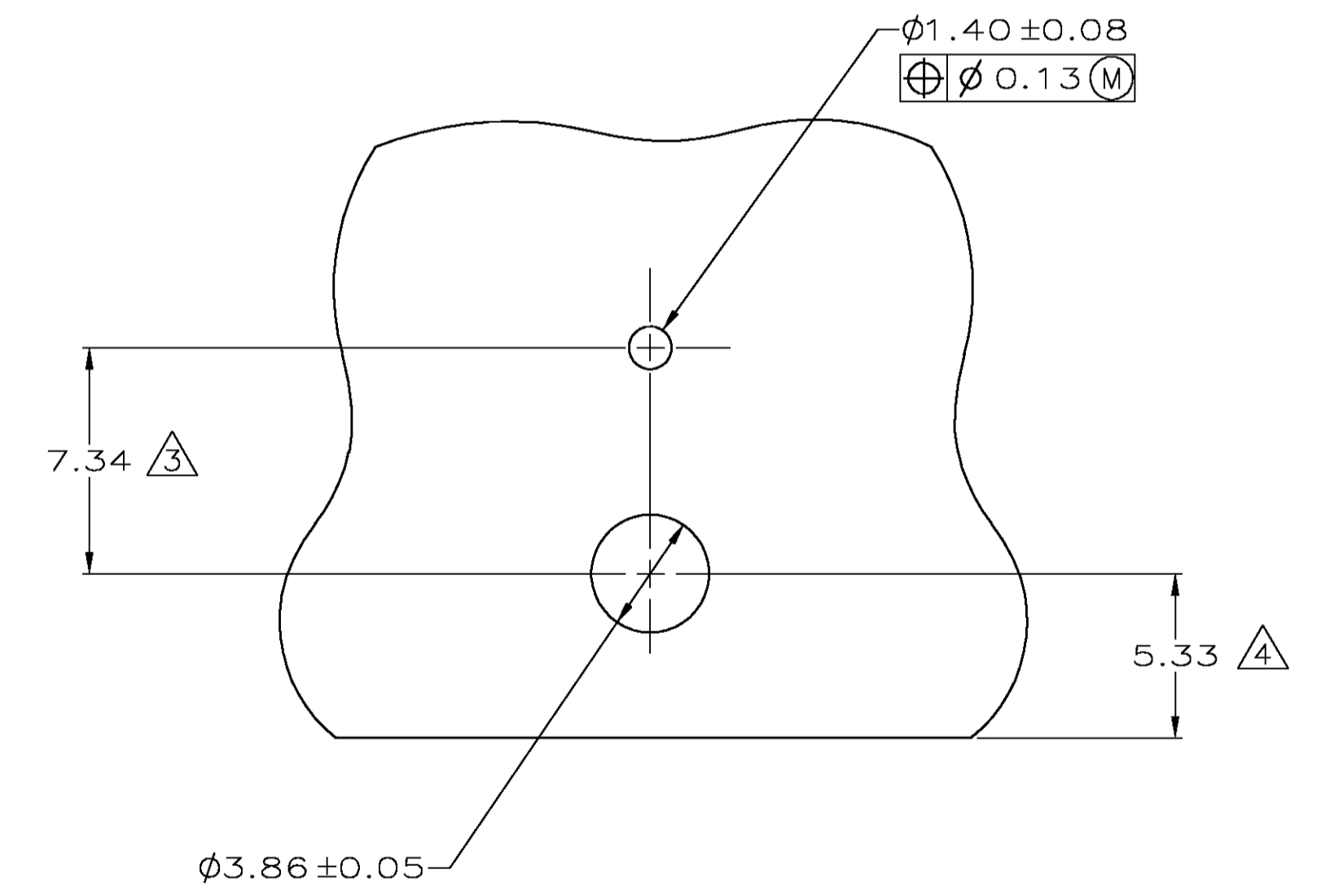
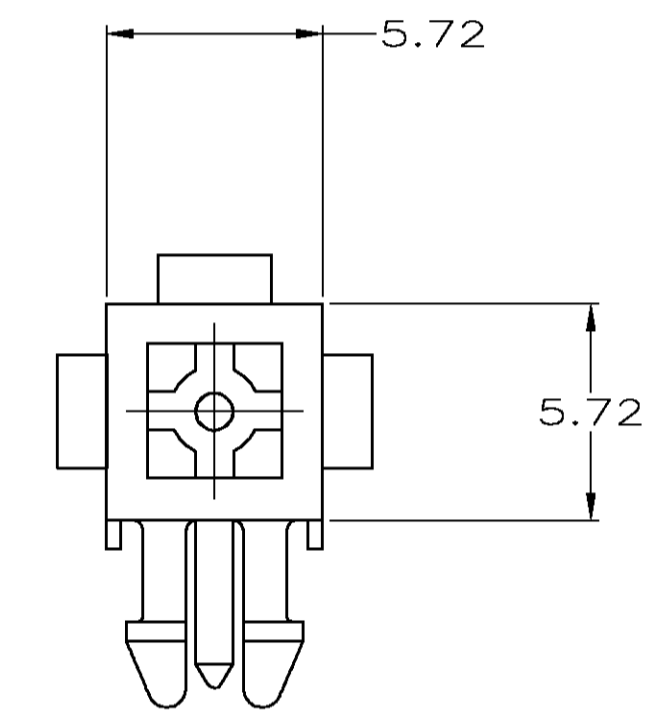
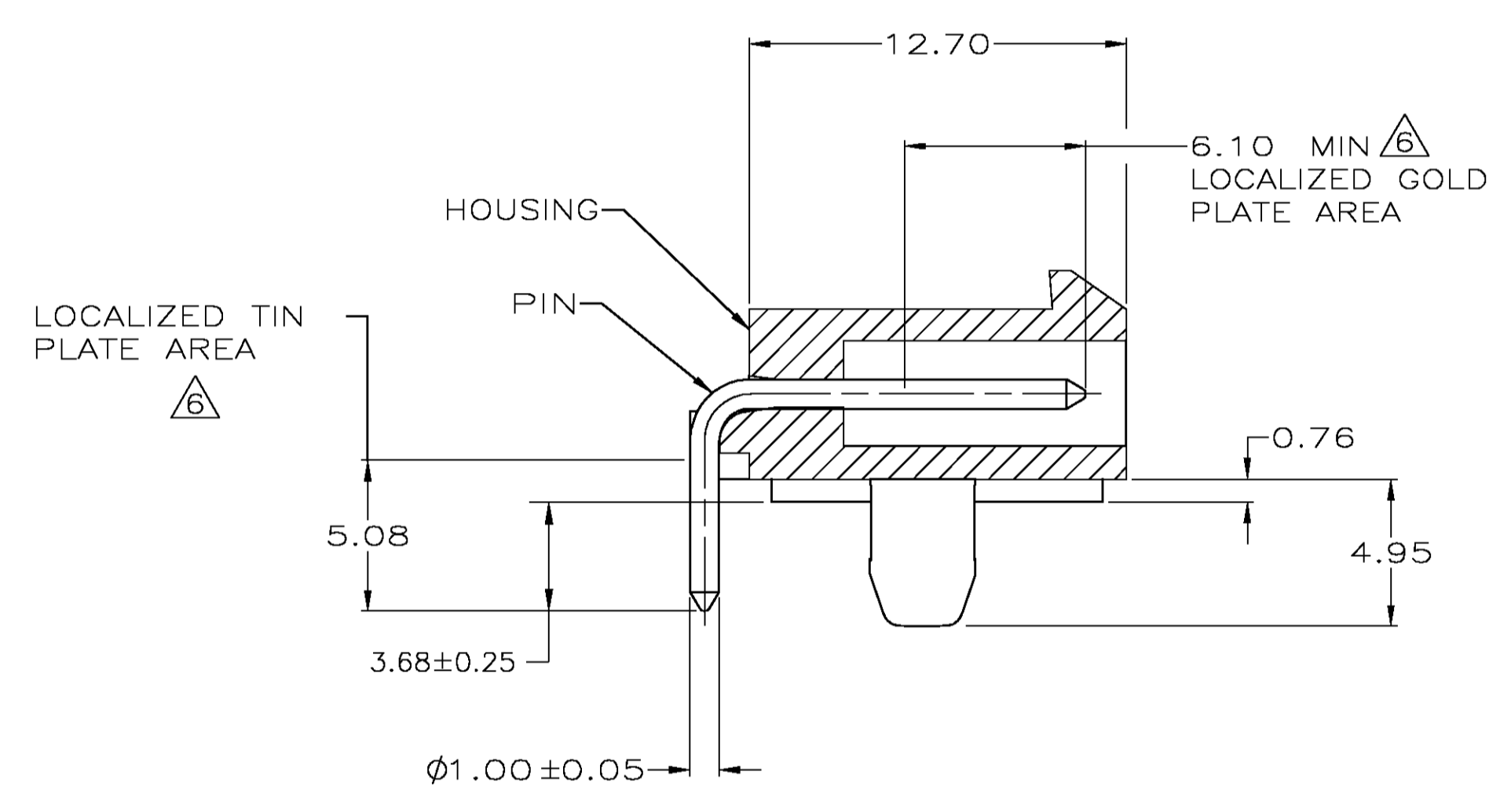
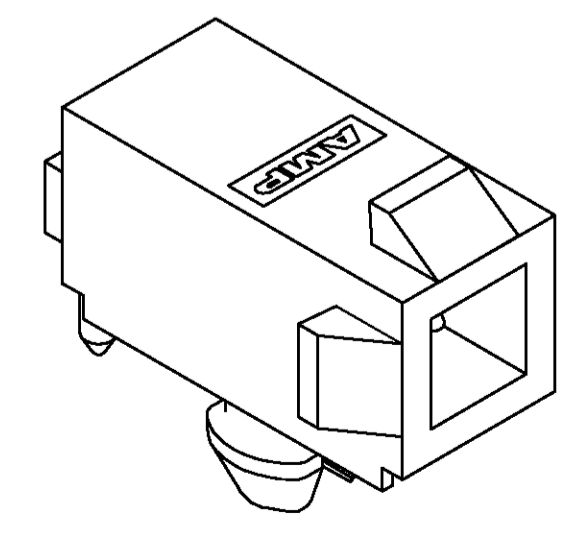


- PINS TO COMPLY WITH AMP SOLDERABILITY SPEC 109-11-3.
- MATES WITH PLUG P/N 172164-1.
- COORDINATE DIMENSION APPLIES FROM CENTER OF ACTUAL FEATURE.
- RECOMMENDED FOR EDGE MOUNTING.
- 0.00381 MIN MATTE TIN OVER 0.00127 MIN NICKEL ENTIRE LENGTH OF PIN.
- 0.00076 MIN GOLD PLATE IN THE LOCALIZED PLATE AREA, 0.00381 MIN MATTE TIN IN THE LOCALIZED PLATE AREA, BOTH OVER 0.00127 MIN NICKEL.



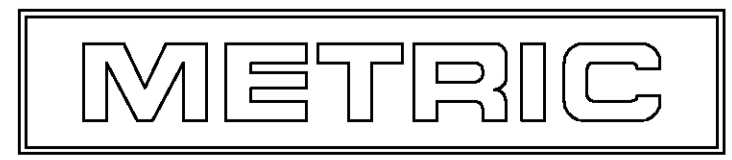
RECOMMENDED MOUNTING HOLE PATTERN FOR 1.57 THICK P.C. BOARD



3-DIMENSIONAL MODEL NTS

0.08	.003	1.40	.055	5.08	.200	12.70	.500
0.05	.002	1.00	.039	4.95	.195	7.34	.289
0.00381	0.000150	0.76	.030	3.86	.152	6.10	.240
0.00127	0.000050	0.25	.010	3.68	.145	5.72	.225
0.00076	0.000030	0.13	.005	1.57	.062	5.33	.210
MM	IN	MM	IN	MM	IN	MM	IN

CONVERSION TABLE



BRASS	△6	NYLON, UL94V-2	NATURAL	794378-2
BRASS	△5	NYLON, UL94V-2	NATURAL	794378-1
MATERIAL	FINISH	MATERIAL	COLOR	PART NO
PIN		HOUSING		

THIS DRAWING IS A CONTROLLED DOCUMENT.

DMN S. CARPENTER 13AUG2003	Tyco Electronics Corporation Harrisburg, Pa 17105-3608
CHK C. JONES 13AUG2003	
APVD C. JONES 13AUG2003	NAME HEADER ASSEMBLY, RIGHT ANGLE, SINGLE CIRCUIT, MINI UNIVERSAL MATE-N-LOK
DIMENSIONS: mm	TOLERANCES UNLESS OTHERWISE SPECIFIED: 0. PLG ± 1. PLG ± 2. PLG ± 0.13 3. PLG ± 4. PLG ± ANGLES ± 0.30°
MATERIAL SEE TABLE	FINISH SEE TABLE
APPLICATION SPEC	SIZE A1
WEIGHT	SCALE 5:1
CUSTOMER DRAWING	SHEET 1 OF 1
	REV B

DATE: 13AUG2003
 DRAWING NO: 794378
 RESTRICTED TO: -