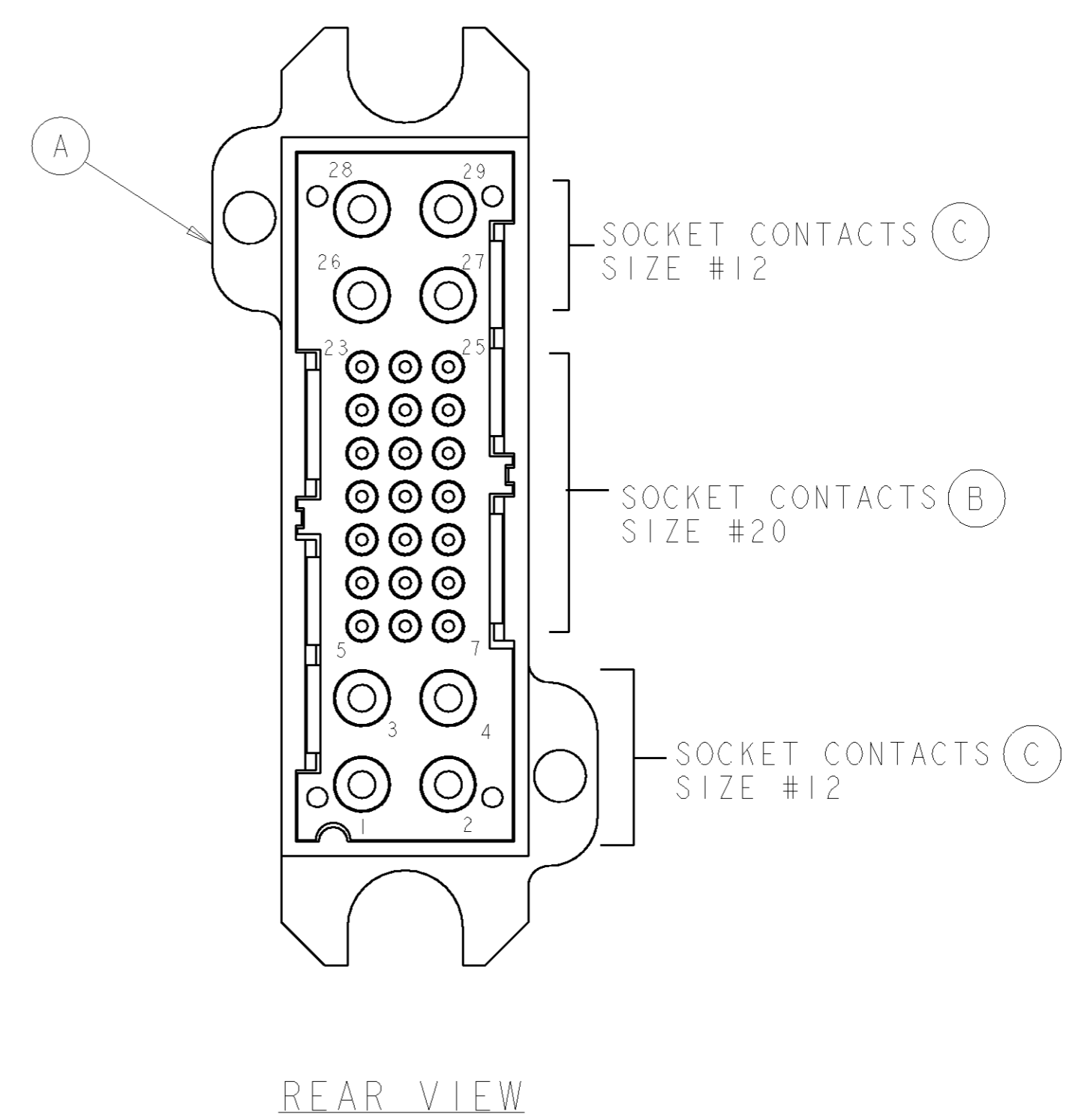
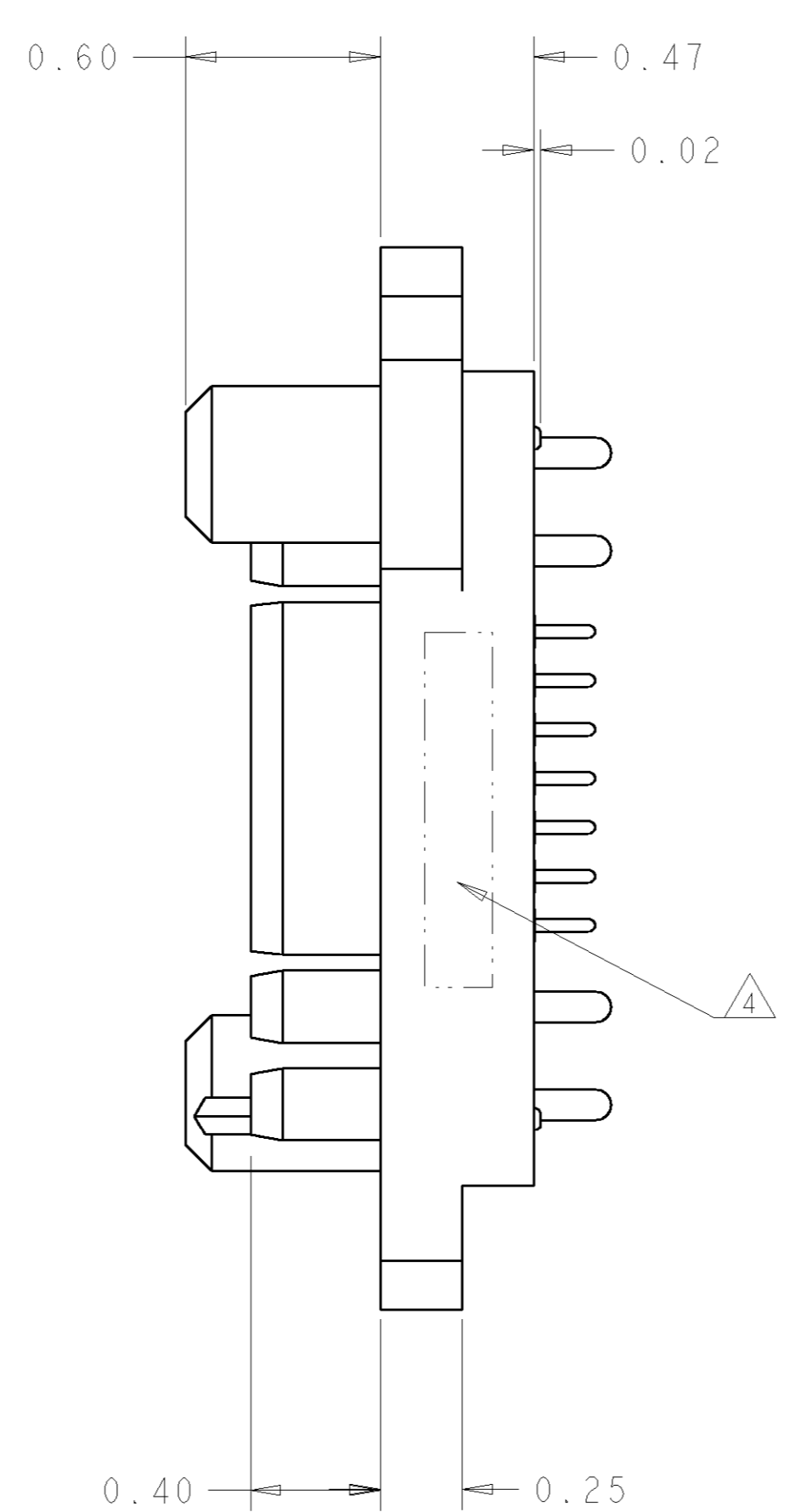
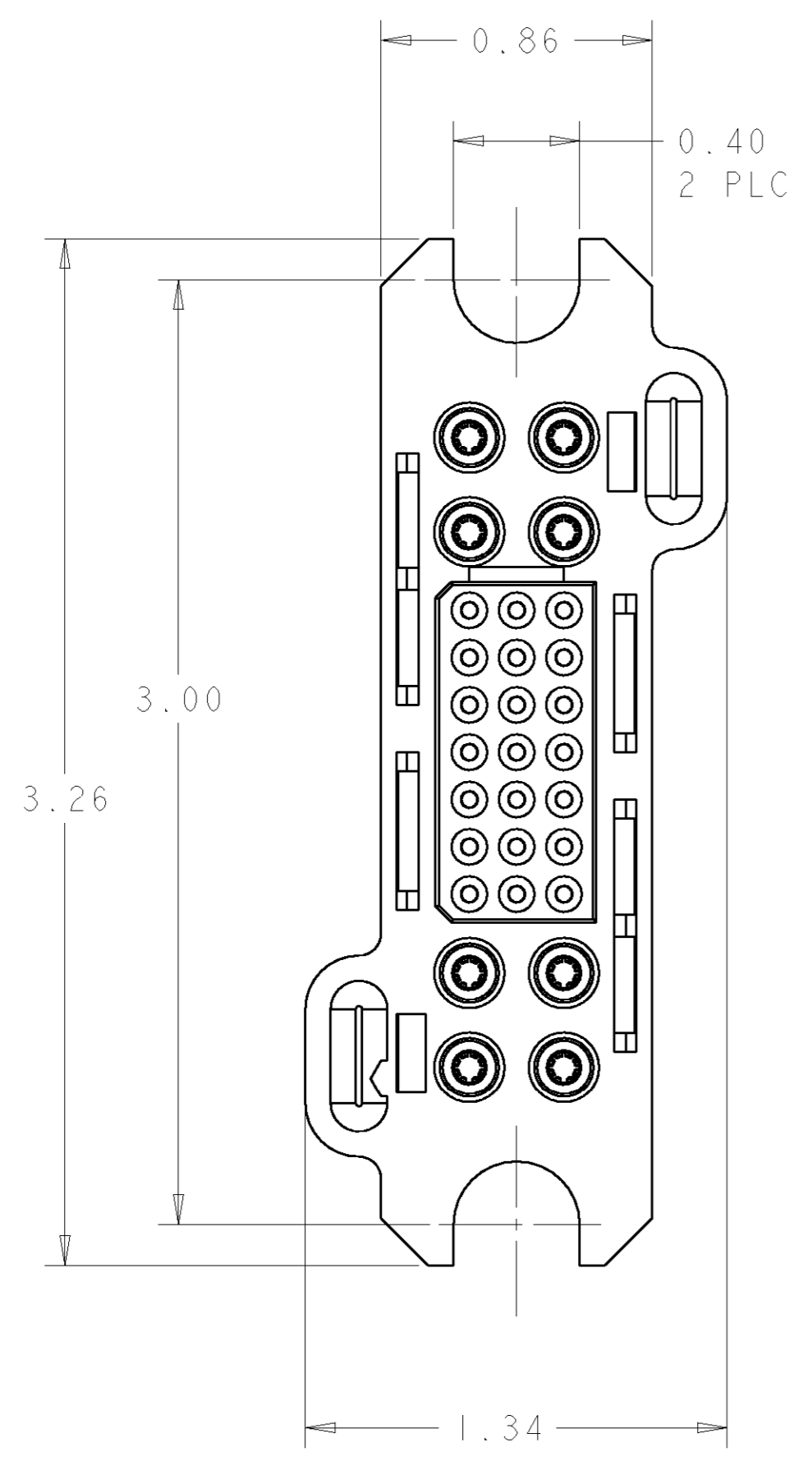


THIS DRAWING IS UNPUBLISHED. RELEASED FOR PUBLICATION 20  
 © COPYRIGHT 20 BY TYCO ELECTRONICS CORPORATION. ALL RIGHTS RESERVED.

LOC	DIST	REVISIONS			
P	LTR	DESCRIPTION	DATE	DWN	APVD
GP	00	A	NEW RELEASE	03AUG2007	RG PD



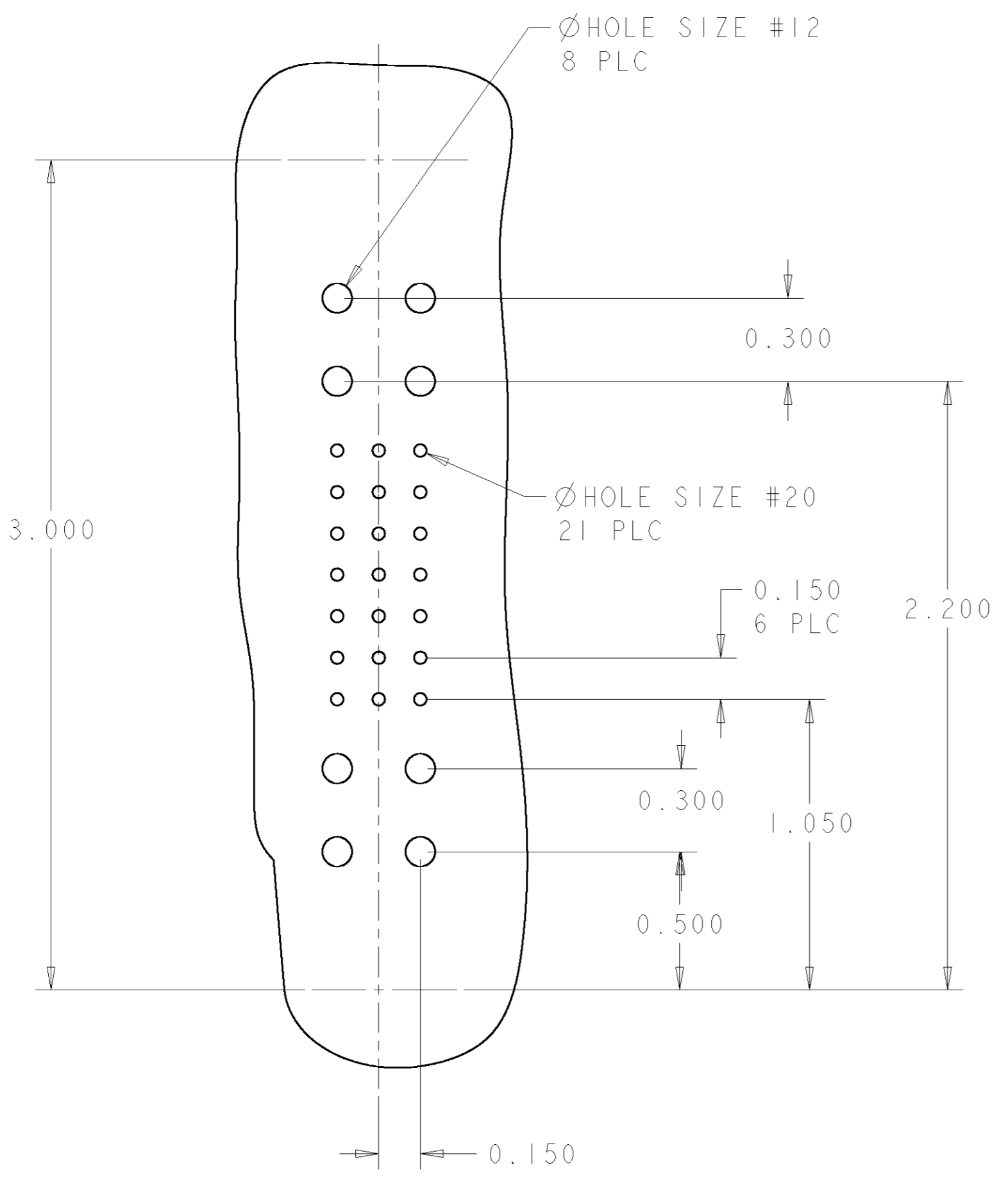
AS SHOWN	1926574-1
DESCRIPTION	PART NUMBER

THIS DRAWING IS A CONTROLLED DOCUMENT FOR TYCO ELECTRONICS CORPORATION IT IS SUBJECT TO CHANGE AND THE CONTROLLING ENGINEERING ORGANIZATION SHOULD BE CONTACTED FOR THE LATEST REVISION.		DWN R. GRZYBOWSKI 1AUG07 CHK D. ORRIS 1AUG07 APVD S. FLICKINGER 1AUG07	<b>tyco</b> Tyco Electronics <b>Electronics</b> Harrisburg, PA 17105-3608
DIMENSIONS: INCHES	TOLERANCES UNLESS OTHERWISE SPECIFIED: 0 PLC ± 1 PLC ± 2 PLC ±.02 3 PLC ±.010 4 PLC ± ANGLES ±.5 FINISH	PRODUCT SPEC APPLICATION SPEC WEIGHT CUSTOMER DRAWING	NAME CONNECTOR ASSEMBLY, SOCKET SOLDER TAILS 75 AMP, LOWER DRAWER SIZE A2 CAGE CODE 00779 DRAWING NO. C-1926574 RESTRICTED TO SCALE 3:1 SHEET 1 OF 2 REV A

**ELCON LOWER DRAWER**

THIS DRAWING IS UNPUBLISHED. RELEASED FOR PUBLICATION 20  
 © COPYRIGHT 20 BY TYCO ELECTRONICS CORPORATION. ALL RIGHTS RESERVED.

LOC	DIST	REVISIONS					
GP	00	P	LTR	DESCRIPTION	DATE	DWN	APVD
		-		SEE SHEET 1			



- PART NUMBER CHANGES AND OR DESIGN CHANGES AFFECTING THE INTERCHANGEABILITY REQUIRE PRIOR TYCO ELECTRONICS APPROVAL AND AUTHORIZATION BY REVISION TO THIS DRAWING.
- MATERIAL:  
 INSULATOR: THERMOPLASTIC, GLASS REINFORCED, UL 94V-0  
 FLAMMABILITY RATED, COLOR: BLACK  
 CONTACT BODY: BRASS ALLOY  
 CROWN BAND: BERYLLIUM COPPER  
 RETENTION CLIP: BERYLLIUM COPPER OR STAINLESS STEEL  
 SHOULDER SCREWS: STAINLESS STEEL
- FINISH:  
 CONTACTS SIZE #12 BODY : SILVER .000200 MIN THK.  
 OVER NICKEL .00040 MIN THK.  
 CONTACTS SIZE #20 BODY : GOLD .000010 MIN THK.  
 OVER NICKEL .00040 MIN THK.  
 CROWN BAND: GOLD .000030 MIN THK.  
 OVER NICKEL .00040 MIN THK.

△4 ITEMS PROVIDED TO THIS SPECIFICATION TO BE PERMANENTLY IDENTIFIED PER THE FOLLOWING IDENTIFIER:

YEAR    WEEK   

TYCO ELECTRONICS P/N XXXXXXXX-X DATE CODE (e.g. 0216) XXXX

- SOLDER TAIL CONTACTS ARE INSERTABLE/ NON-REMOVALBE (ITEMS NO. B & C) LOADED INTO CAVITIES.
- SHOULDER SCREWS (ITEM D) ARE PACKAGED SEPARATELY AND PLACED IN THE BOX WITH THE CONN. ASSEMBLY.

**PRINTED CIRCUIT BOARD LAYOUT**

VIEW FROM CONNECTOR MOUNTING SIDE  
 HOLE SIZE #12  
 DRILLED HOLE:  $\varnothing .1065 \pm .0005$   
 COPPER PLATE: .0010 - .0020  
 TIN PLATE: .00002 MIN. THK.

HOLE SIZE #20  
 DRILLED HOLE:  $\varnothing .0453 \pm .0005$   
 COPPER PLATE: .0010 - .0020  
 TIN PLATE: .00002 MIN. THK.

△6	2	1650589-1	SHOULDER SCREW, M4 X 0.7	D
△5	8	6648374-1	CONTACT, SOCKET, #12, PCB	C
△5	21	1648382-1	CONTACT, SOCKET, #20, PCB	B
	1	1648206-2	HOUSING, SOCKET, FLOAT MOUNT	A
	-1	PART NUMBER	DESCRIPTION	ITEM

**ELCON LOWER DRAWER**

<small>THIS DRAWING IS A CONTROLLED DOCUMENT FOR TYCO ELECTRONICS CORPORATION IT IS SUBJECT TO CHANGE AND THE CONTROLLING ENGINEERING ORGANIZATION SHOULD BE CONTACTED FOR THE LATEST REVISION.</small>		DWN R. GRZYBOWSKI IAUG07 CHK D. ORRIS IAUG07 APVD S. FLICKINGER IAUG07	<b>tyco</b> Tyco Electronics Harrisburg, PA 17105-3608
DIMENSIONS: INCHES 	TOLERANCES UNLESS OTHERWISE SPECIFIED: 0 PLC ± 1 PLC ± 2 PLC ±.02 3 PLC ±.010 4 PLC ± ANGLES ±.5 FINISH	NAME: CONNECTOR ASSEMBLY, SOCKET SOLDER TAILS 75 AMP, LOWER DRAWER	SIZE: A2 CAGE CODE: 00779 DRAWING NO: G-1926574 RESTRICTED TO: -
MATERIAL: -	FINISH: -	WEIGHT: -	SCALE: 3:1 SHEET 2 OF 2 REV A