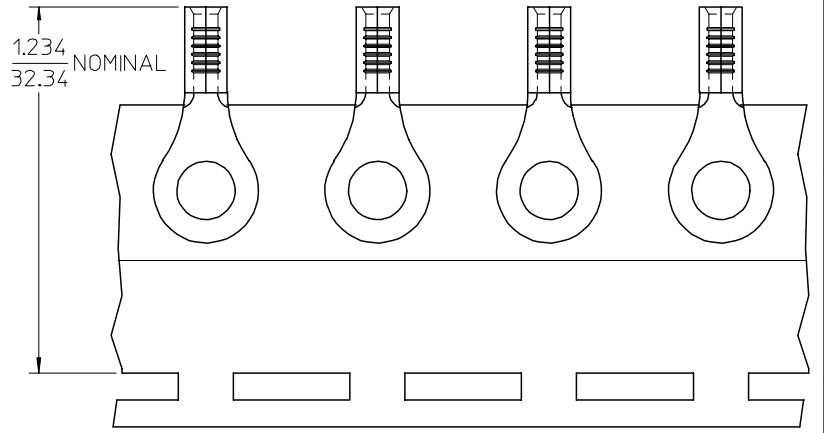
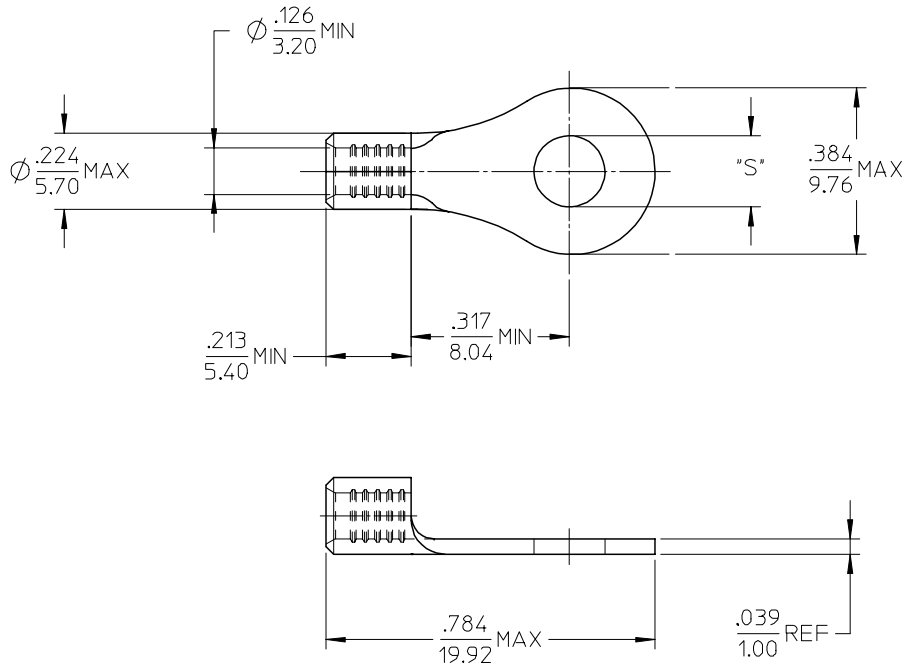


MATERIAL NO.	ENG. NO.	STUD SIZE	"S" MAX	DESCRIPTION
192030493	C-S-128-06	6	.149/3.78	LOOSE
192030092	C-S-128-06T	6	.149/3.78	TAPE



PARTS ON TAPE

NOTE(S):

1. MATERIAL: STEEL
2. WIRE SIZE: 12-10 AWG (4.0-6.0 MM<sup>2</sup>)
3. FINISH: NICKEL PLATING
4. PART IS ROHS COMPLIANT.
5. AMBIENT OPERATING TEMPERATURE UP TO 900 °F (483 °C).

ADDED OPERATING TEMP	2007/03/13
EC NO: ETC2007-0297	2007/03/13
DRW: NEHLE	2007/03/13
CHKD: JMACNEIL	2007/03/13
APPR: JMACNEIL	2007/03/14

QUALITY SYMBOLS	DESCRIPTION
▽=0	
▽=0	

GENERAL TOLERANCES (UNLESS SPECIFIED)	
mm	INCH
4 PLACES ± .005	± .0004
3 PLACES ± .004	± .0003
2 PLACES ± .003	± .0002
1 PLACE ± .002	± .0001
ANGULAR ± .005°	

DIMENSION STYLE	
IN/MM	
DRAWN BY	DATE
EHILE	2006/09/21
CHECKED BY	DATE
JMACNEIL	2006/09/21
APPROVED BY	DATE
JMACNEIL	2006/09/21

SCALE	DESIGN UNITS	THIRD ANGLE PROJECTION
4:1	INCH	
TITLE		
RING TONGUE TERMINAL, 12-10 AWG, KRIMPTITE, 900 DEG F (483 DEG C)		
APPROVED BY		
MOLLEX MOLEX INCORPORATED		
MATERIAL NO.	DOCUMENT NO.	SHEET NO.
SEE CHART	SD-19203-031	1 OF 1

THIS DRAWING CONTAINS INFORMATION THAT IS PROPRIETARY TO MOLEX INCORPORATED AND SHOULD NOT BE USED WITHOUT WRITTEN PERMISSION