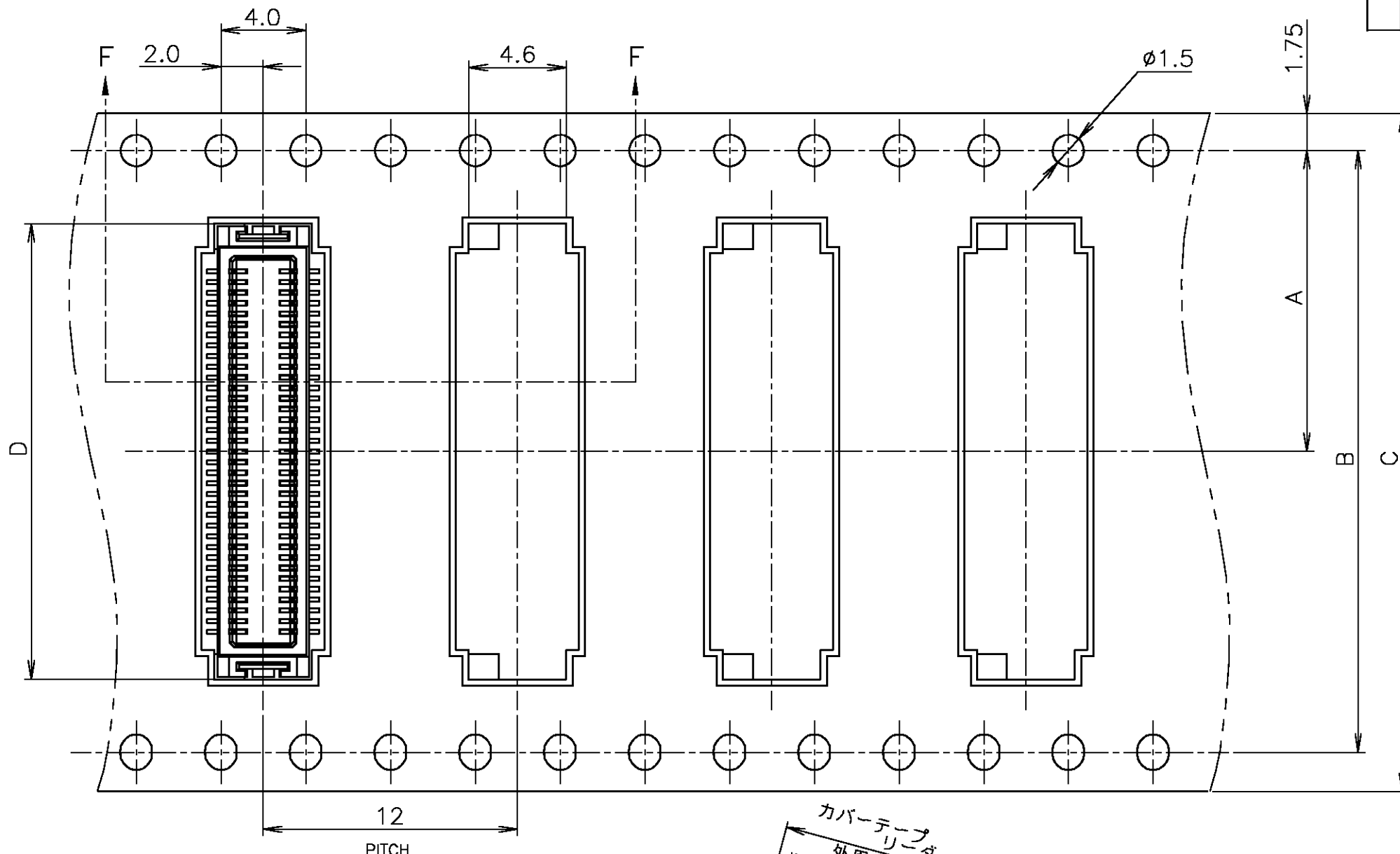
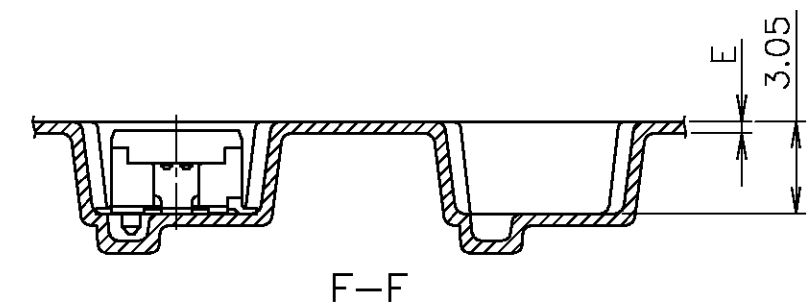


LOC	DIST	REVISIONS					
		P	LTR	DESCRIPTION	DATE	DWN	APVD
J		A	REVISED	FJB0-0561-04	03JUN04	Y.N	H.M

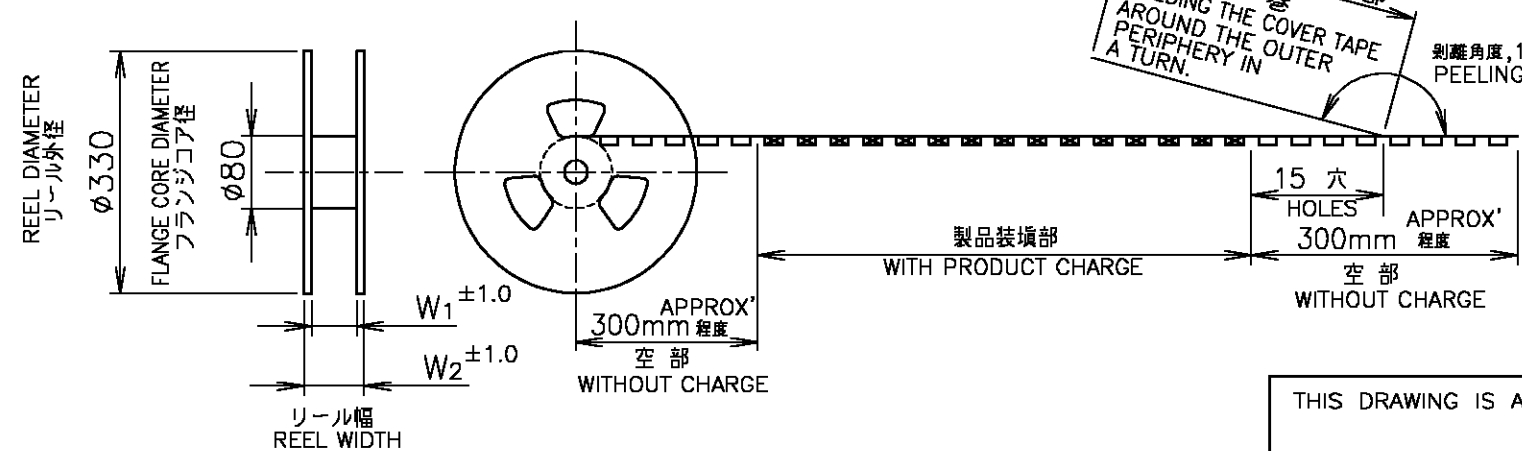


テープ幅
TAPE WIDTH

引出し方向
TOP OF REEL →



鉛フリー
LEAD FREE



カバーテープ
リーダー部
外周一巻
WEEDING THE COVER TAPE
AROUND THE OUTER
PERIPHERY IN
A TURN.
剥離角度, 165°~180°
PEELING ANGLE.

THIS DRAWING IS A CONTROLLED DOCUMENT.

DIMENSIONS: 単位: 筈 MM	TOLERANCES UNLESS OTHERWISE SPECIFIED: 一般公差
	0 PLC ± 0.3
	1 PLC ± 0.3
	2 PLC ± 0.3
	3 PLC ± 0.3
	4 PLC ± 0.3
	ANGLES ± 3'
MATERIAL 材料	FINISH 仕上

INSTRUCTION SHEET 取扱説明書 411-5808		WIRE RANGE 抱合電線断面積	INSULATION DIA 被覆外径
DWN Y.NAKAZAWA 23APR04	CHK T.KUSUHARA 23APR04	Tyco Electronics AMP K.K. Kawasaki, Japan	
APVD H.MURAMATSU 23APR04	NAME 名務 ON TAPING (EMBOSS) 0.5mm PITCH Fine Mate CONN. TAB ASSEMBLY (V-TYPE)(H=4.0mm)		
PRODUCT SPEC 製品規格 108-5496	APPLICATION SPEC 取付適用規格	SIZE A3	CAGE CODE 00779
WEIGHT	DRAWING NO 番号 C-1747028	RESTRICTED TO	
CUSTOMER DRAWING		SCALE 尺度 4:1	SHEET 1 OF 2 REV A

THIS DRAWING IS UNPUBLISHED. RELEASED FOR PUBLICATION APR, 2004.
 © COPYRIGHT 2004 BY TYCO ELECTRONICS CORPORATION. ALL RIGHTS RESERVED.

LOC	DIST	REVISIONS 変更					
		P	LTR	DESCRIPTION	DATE	DWN	APVD
J			-	SEE SHEET 1	-	-	-

	DIMENSIONS										QTY/REEL	POS	CONNECTOR P/N	TAPING P/N
	W2	W1	E	D	C	B	A							
WITH BOSS	37.5	33.5	0.4	19.1	32	28.4	14.2	1000	60	5-1747029-5	5-1747028-5			
WITHOUT BOSS	37.5	33.5	0.4	21.5	32	28.4	14.2	1000	70	1747029-3	1747028-4			
	50.5	45.5	0.4	24	44	40.4	20.2	1000	80	1747029-3	1747028-3			
	50.5	45.5	0.4	29	44	40.4	20.2	1000	100	1747029-1	1747028-1			

鉛フリー
LEAD FREE

THIS DRAWING IS A CONTROLLED DOCUMENT.

DIMENSIONS: 単位: 純 MM	TOLERANCES UNLESS OTHERWISE SPECIFIED: 一般公差
	0 PLC ± 0.3 1 PLC ± 0.3 2 PLC ± 0.3 3 PLC ± 0.3 4 PLC ± 0.3 ANGLES ± 3'
MATERIAL 材料	FINISH 仕上

INSTRUCTION SHEET 取扱説明書 411-5808	WIRE RANGE 抱合電線断面積	INSULATION DIA 被覆外径
DWN	Tyco Electronics AMP K.K. Kawasaki, Japan	
CHK	NAME 名称 ON TAPING (EMBOSS) 0.5mm PITCH Fine Mate CONN. TAB ASSEMBLY (V-TYPE)(H=4.0mm)	
APVD	PRODUCT SPEC 製品規格 108-5496	APPLICATION SPEC 取付適用規格
WEIGHT	SIZE A3	CAGE CODE 00779
CUSTOMER DRAWING	DRAWING NO 番号 C-1747028	RESTRICTED TO
	SCALE 尺度 4:1	SHEET 2 OF 2
		REV A