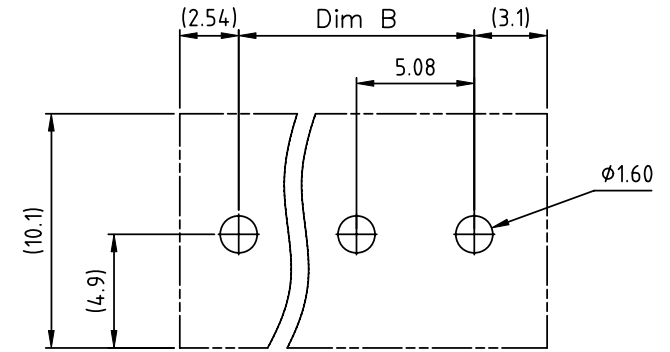
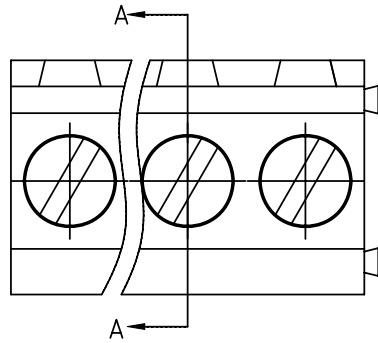
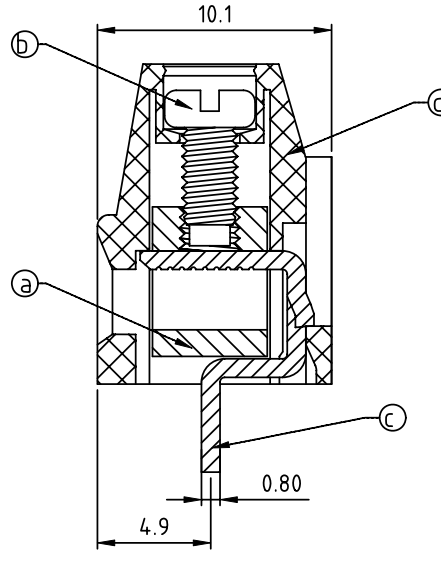
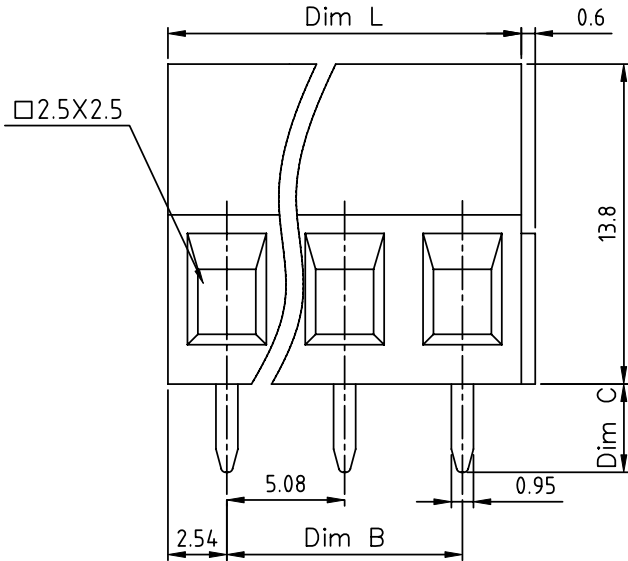


PRODUCT NUMBER	PITCH
YDxx21xx00J0G	5.08 mm



RECOMMENDED P.C.B LAYOUT
TOP VIEW



SECTION A-A

Material

- Item ① Clamp: Brass, Ni plated
- Item ② Terminal screw: Steel Zinc plating "-" slot type
- Item ③ Solder pin: Brass, Tin plated
- Item ④ Terminal housing: Thermoplastic (UL94V-0)

Electrical

- UL
- Voltage rating: 300VAC
- Current rating: 10A
- Wire range:
- Solid wire(AWG): 12-24
- Stranded wire(AWG): 12-24
- Torque(Lb-In): 3.5
- Screw: M2.5
- Wire strip length: 6-7mm
- Withstanding Voltage: 1.6KV
- Operating temperature: -40°C to +115°C
- Soldering temperature: 260°C±5°C/5 Sec
- Safety Approval:

PART NO.: YD xx 2 1 x x 00J0 G

N=NUMBER OF POLES

Dim L=Nx5.08
Dim B=(N-1)x5.08

POLES	DimL&B Tolerance
2P-8P	±0.20
9P-14P	±0.25
15P-20P	±0.30
21P-24P	±0.40

End stackable	No. of poles	Color	Dim C	RoHS compliant
0	2	Black (RAL9005)	0 3.8mm	In copper Alloy (lead<4%)
02	2 poles	Red (RAL3001/D)	1 3.5mm	
03	3 poles	Orange(RAL2011/P)		
...	...	4 Yellow(RAL1018/A)		
...	...	5 Green(RAL6018/T)		
24	24 poles	6 Blue (RAL5015/A)		
		8 Grey(RAL7035/D)		
		9 White(RAL1102)		
		C Green(RAL6018/U)		

mat'l. code	surface ASME Y14.5	tolerance ASME Y14.5	projection	product family TERMINAL BLOCK
ltr ecn no dr date	tolerances unless otherwise specified			title TERMINAL BLOCK
	angles	X.±0.5	MM	DESCRIPTION RISING CLAMP,180D WIRE INLET,END STACKABLE
	fil	X.X±0.3		dwg no YDxx21xx00J0G
	X*±1"	X.XX±0.1	scale	sheet 1 of 1 size A4
dr	EVIN ZHONG	040914		type CUSTOMER Drawing
enrg	EVIN ZHONG	040914		
chr	HANKE FENG	040914		
appd	SHI JUN	040914		
sheet index	revision sheet	A 1		