

4

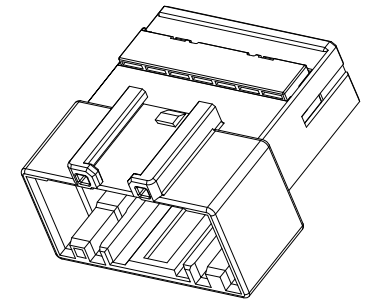
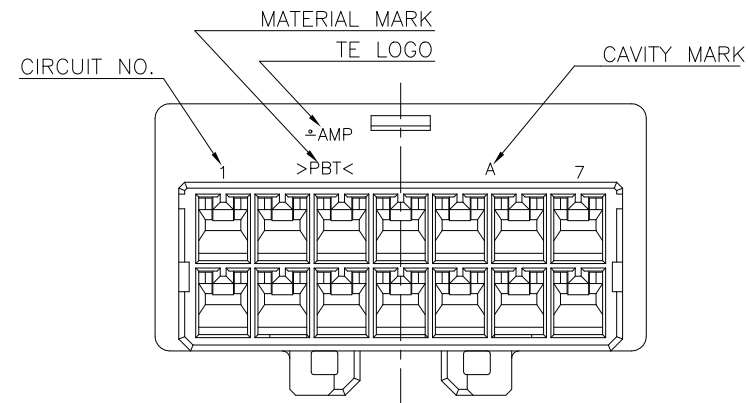
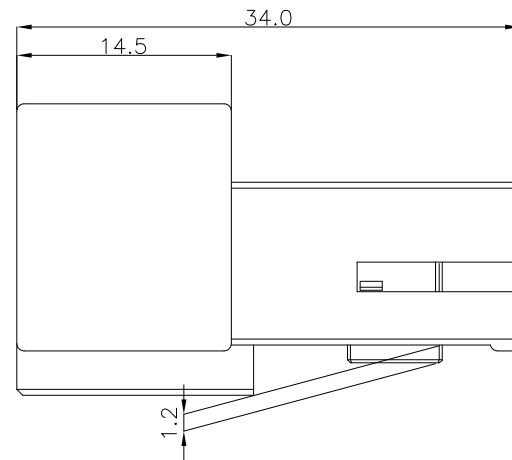
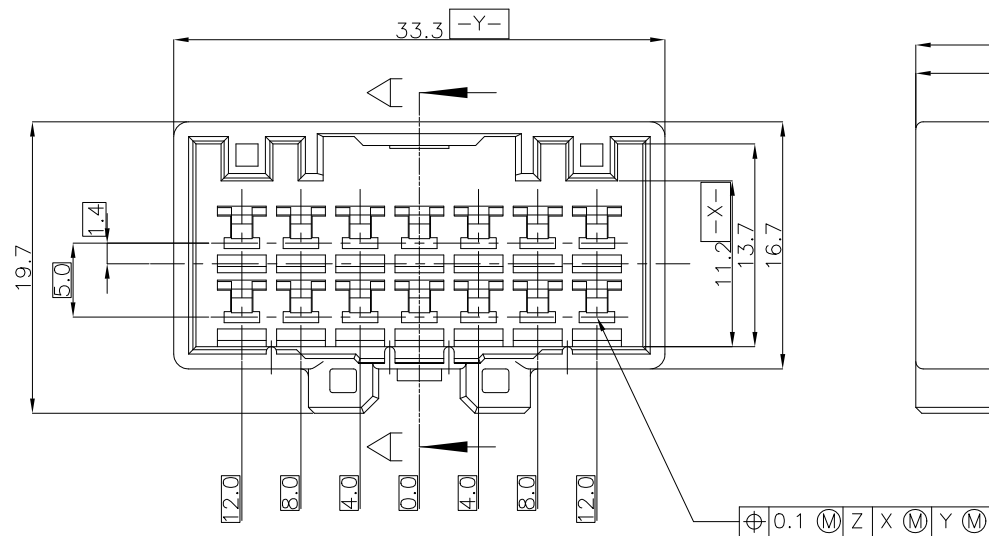
3

2

1

THIS DRAWING IS UNPUBLISHED. RELEASED FOR PUBLICATION
COPYRIGHT BY TYCO ELECTRONICS CORPORATION, ALL RIGHTS RESERVED.

LOC	DIST	REVISIONS					
		P	LTR	DESCRIPTION	DATE	DWN	APVD
DS	-		C	REVISED (ECR-05-004797)	29.NOV.'05	IS	JK
			C1	REVISED (ECR-09-005035)	24.MAR.'09	KT	HG



D

D

C

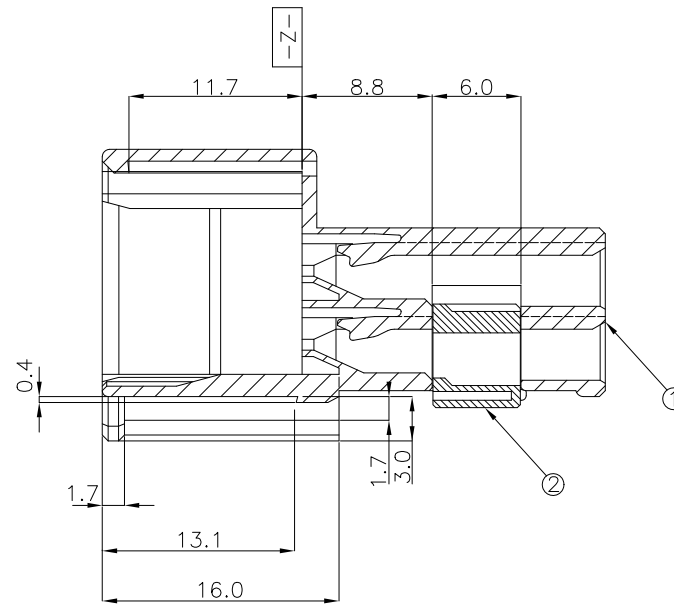
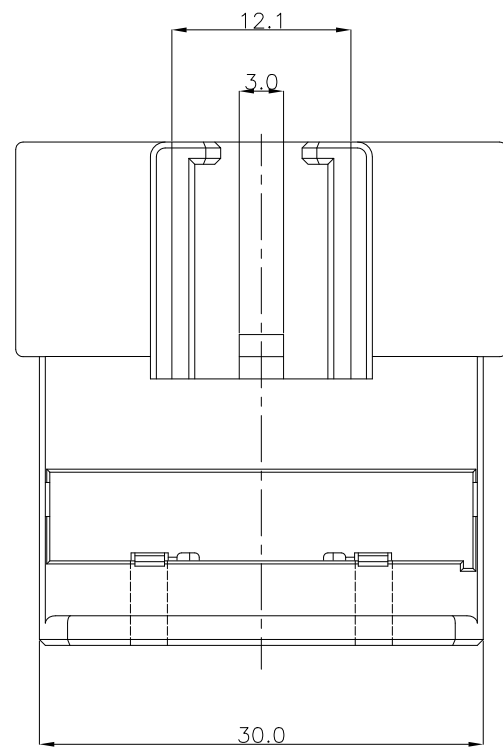
C

B

B

A

A



SECTION A-A

NOTES.

1. THE MATING HSG. P/N ; 936199
2. APPLIED CONTACT P/N ; 090 II TAB. - 368086, 368087, 368088, 1897752

-주 기-

1. 상대 하우징 P/N ; 936199
2. 적용단자 P/N ; 090 II TAB. - 368086, 368087, 368088, 1897752

C1

C1

ASSY P/N
0-936209-8
0-936209-7
0-936209-6
0-936209-5
0-936209-4
0-936209-3
0-936209-2
0-936209-1

NO	COLOR	MATERIAL	DESCRIPTION	P/N	QTY
1	BLUE	PBT	CAP	0-936210-8	1
	GREEN	PBT	CAP	0-936210-7	1
	RED	PBT	CAP	0-936210-6	1
	YELLOW	PBT	CAP	0-936210-5	1
	BROWN	PBT	CAP	0-936210-4	1
	D/GRAY	PBT	CAP	0-936210-3	1
	BLACK	PBT	CAP	0-936210-2	1
	NATURAL	PBT	CAP	0-936210-1	1
2	NATURAL	PBT	DBL	0-936198-1	1 1 1 1 1 1 1 1

THIS DRAWING IS A CONTROLLED DOCUMENT FOR TYCO ELECTRONICS CORPORATION IT IS SUBJECT TO CHANGE AND THE CONTROLLING ENGINEERING ORGANIZATION SHOULD BE CONTACTED FOR THE LATEST REVISION.

DIMENSIONS: MM	TOLERANCES UNLESS OTHERWISE SPECIFIED: 0 <XX<10 ± 0.2 10<XX<30 ± 0.25 30<XX ± 0.3 ANGLES ± 3°
MATERIAL	FINISH
SEE TABLE	

DWN KT JUNG
CHK JW JUNG
APVD HG CHD
PRODUCT SPEC -
APPLICATION SPEC -
WEIGHT -

Tyco Electronics AMP KOREA, Kyungsan, Korea

NAME: 090III 14P CAP ASS'Y

SIZE: A3 CAGE CODE: 00779 DRAWING NO: C-936209 RESTRICTED TO: -

CUSTOMER DRAWING SCALE: 2/1 SHEET: 1 OF 1 REV: C1