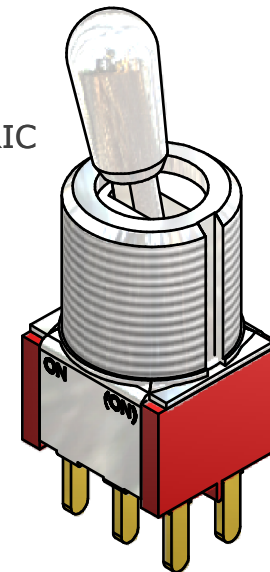
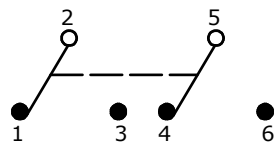


ISOMETRIC



SWITCH FUNCTION		
POS. 1	POS. 2	POS. 3
ON	NONE	(ON)
2-3, 5-6	OPEN	2-1, 5-4

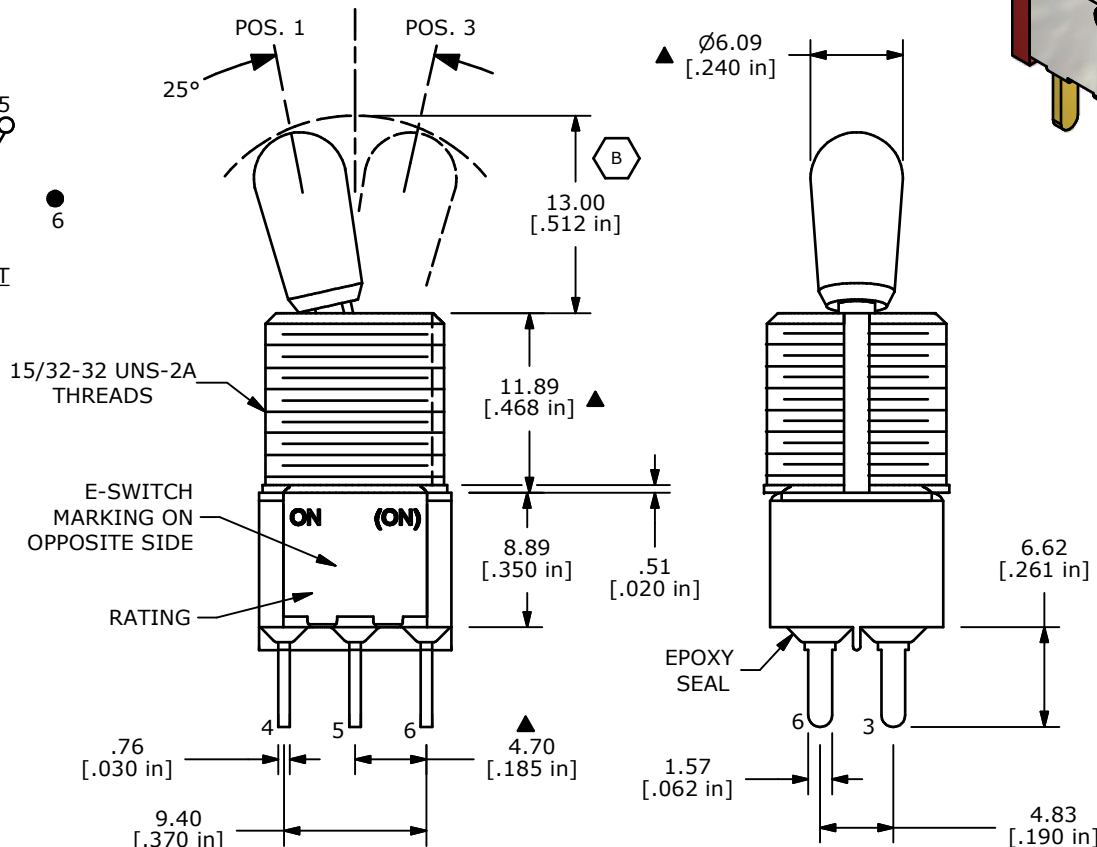


CIRCUIT: DPDT

() = MOMENTARY

NOTE:

1. ALL DIMENSIONS IN MM [INCH]
2. GENERAL TOLERANCE: X.X=±0.4
X.XX=±0.25
3. TERMINAL NUMBERS FOR REF ONLY
4. PLATING MATERIAL: GOLD
5. RATING: 0.4 A @ 20V (AC or DC)
6. CONTACT RESISTANCE: 10 Milli-OHMS
7. LIFE EXPECTANCY: 40,000 make-and-break cycles at full load.
8. INSULATION RESISTANCE: 1,000 Mega-OHMS min.
9. DIELECTRIC STRENGTH: 1,000 V RMS @sea level.
10. OPERATING TEMP.: -30°C to 85°C
11. ▲ DENOTES CRITICAL PARAMETER.
12. 2002/95/EC (ROHS) COMPLIANT
13. HARDWARE TO BE SHIPPED BULK
T100004 - HEXNUT - QTY 2
T100012 - LOCKWASHER - QTY 1
T100003 - LOCKRING - QTY 1



B	19102	DIM CHANGE TO ACTUATOR HEIGHT	5/25/10	BLR
A	18918	Release For Production	3/23/10	BLR
REV	PCR NO	DESCRIPTION	DATE	BY

TITLE 100DP2T7B13M3REH				
SCALE	DATE	DR	DWG	REV
2:1	5/25/2010	BLR	ST121048	B

THE INFORMATION CONTAINED IN THIS DOCUMENT IS PROPRIETARY TO E-SWITCH AND IS NOT TO BE COPIED OR TRANSFERRED