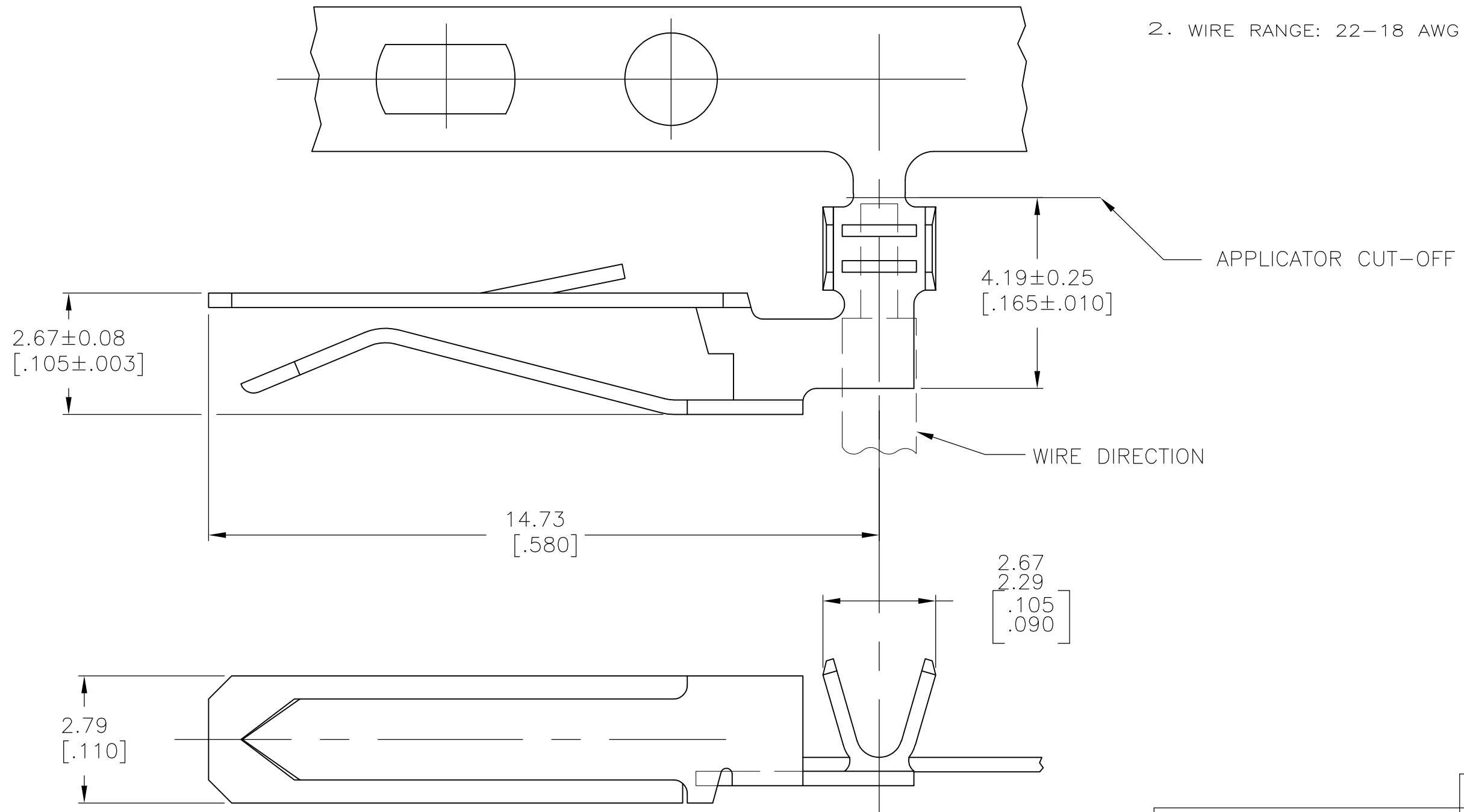


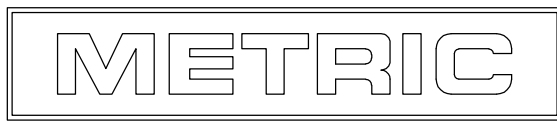
THIS DRAWING IS UNPUBLISHED. RELEASED FOR PUBLICATION
 © COPYRIGHT - BY TYCO ELECTRONICS CORPORATION. ALL RIGHTS RESERVED.

LOC	DIST	REVISIONS			
P	LTR	DESCRIPTION	DATE	DWN	APVD
CM	0	J	REVISED PER ECO-07-010173	01MAY07	KW DB

- 1. DIMENSIONS IN BRACKETS ARE IN INCHES.
- 2. WIRE RANGE: 22-18 AWG (0.3-0.9MM²).



	TIN	640558-3
SUPERSEDED BY 640558-1	TIN-LEAD	640558-1
	FINISH	PART NO



THIS DRAWING IS A CONTROLLED DOCUMENT.		DWN	T. BECK	19SEP91	Tyco Electronics Corporation Harrisburg, PA 17105-3608		
DIMENSIONS: mm [INCHES]		CHK	R. SWING	19SEP91	NAME		
TOLERANCES UNLESS OTHERWISE SPECIFIED:		APVD	T. WERT	19SEP91	CONTACT, CRIMP SNAP-IN, MTA-156		
0 PLC ± -		PRODUCT SPEC	-		SIZE	CAGE CODE	DRAWING NO
1 PLC ± -		APPLICATION SPEC	-		A3	00779	C-640558
2 PLC ± -		WEIGHT	-		RESTRICTED TO		
3 PLC ± 0.13 [.005]		CUSTOMER DRAWING		SCALE	10:1	SHEET	1 OF 1
4 PLC ± -						REV	J
ANGLES ± -							
MATERIAL	FINISH						
0.30 [.012] THK COPPER ALLOY	0.00203 [.00080] MIN THK MATTE TIN						