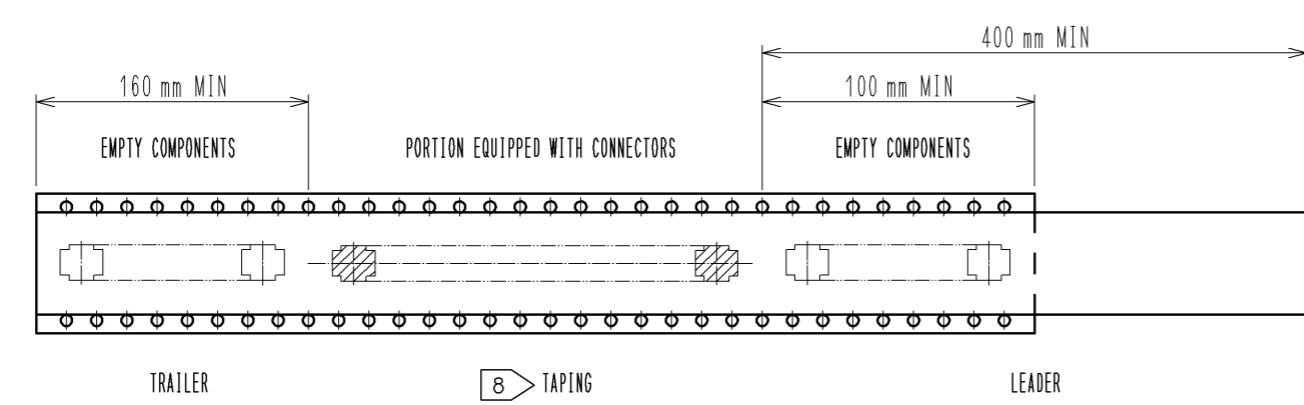
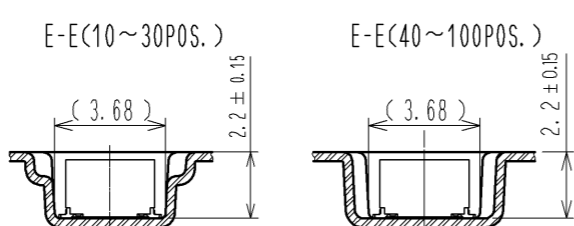
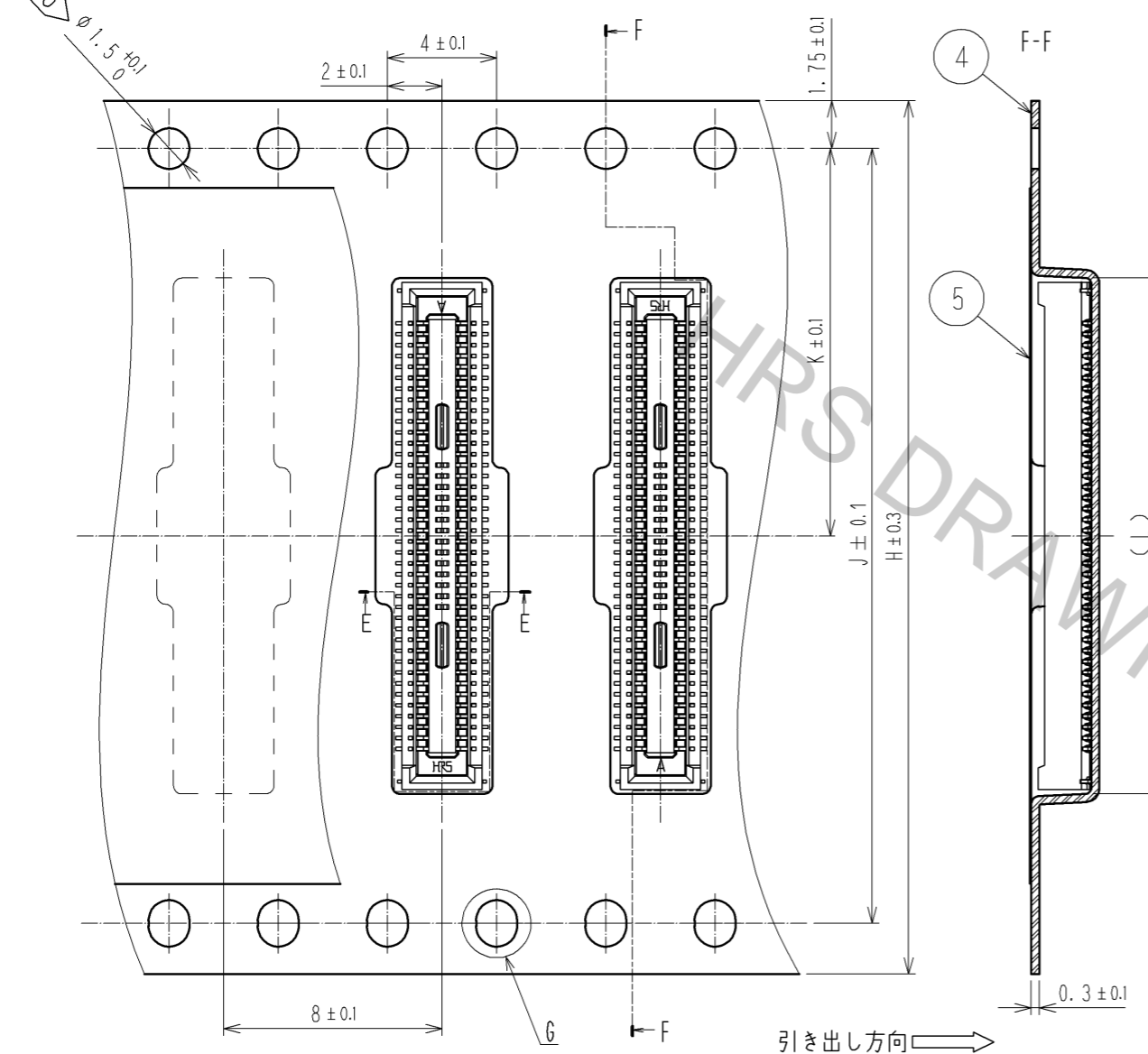


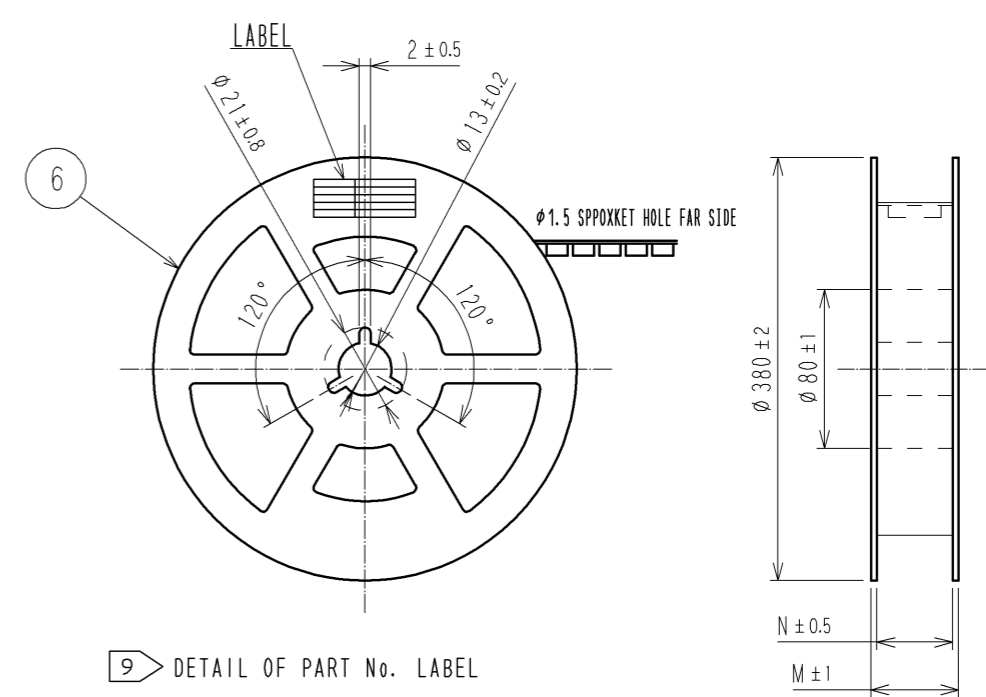
2	PHOSPHOR BRONZE	CONTACT AREA:GOLD 0.05 μm MIN	6	PS	BLACK		
		SMT LEAD:GOLD 0.05 μm MIN	5	POLYESTER	CLEAR, COVER TAPE		
		UNDERPLATING:NICKEL 1 μm MIN	4	PS	CLEAR,EMBOSSED CARRIER TAPE		
1	LCP	BLACK,UL94V-0	3	PHOSPHOR BRONZE	GOLD		
NO.	MATERIAL	FINISH . REMARKS	NO.	MATERIAL	FINISH . REMARKS		
UNITS mm		SCALE 10 : 1		訂正記事	設計	検 図	年月日
HRS HIROSE ELECTRIC CO., LTD.		承認 : TS.MIYAZAKI 10.12.16	検 図 : AR.TAKAHASHI 10.12.16	設 計 : TK.SUZUKI 10.12.16	製 図 : TK.SUZUKI 10.12.16	図番 : EDC3-332419-01 製品名 : DF40B(2.0)-*DS-0.4V(51) 製品コード : CL684	

Apr.1.2017 Copyright 2017 HIROSE ELECTRIC CO., LTD. All Rights Reserved.

SCALE (FREE)



STYLE AND DIMENSION OF REEL (FREE SIZE)



9) DETAIL OF PART No. LABEL

製造年月日	** ** *
製品コード	CL684-*****-51
製品名	DF40B(2.0)-*DS-0.4V(51)
数量	4000
納入者	ヒロセ電機(株)

PART NO.	H	J	K	L	M	N
DF40B(2.0)-10DS-0.4V(55)	16	—	7.5	4.9	21.5	17.5
DF40B(2.0)-12DS-0.4V(55)	16	—	7.5	5.3	21.5	17.5
DF40B(2.0)-20DS-0.4V(55)	16	—	7.5	6.9	21.5	17.5
DF40B(2.0)-24DS-0.4V(55)	16	—	7.5	7.7	21.5	17.5
DF40B(2.0)-30DS-0.4V(55)	24	—	11.5	8.9	29.5	25.5
DF40B(2.0)-40DS-0.4V(55)	24	—	11.5	10.9	29.5	25.5
DF40B(2.0)-50DS-0.4V(55)	24	—	11.5	12.9	29.5	25.5
DF40B(2.0)-60DS-0.4V(55)	24	—	11.5	14.9	29.5	25.5
DF40B(2.0)-70DS-0.4V(55)	32	28.4	14.2	16.9	37.5	33.5
DF40B(2.0)-80DS-0.4V(55)	32	28.4	14.2	18.9	37.5	33.5
DF40B(2.0)-90DS-0.4V(55)	44	40.4	20.2	20.9	49.5	45.5
DF40B(2.0)-100DS-0.4V(55)	44	40.4	20.2	22.9	49.5	45.5

- NOTES 6. PER REEL 4000 CONNECTORS.
 7. THE DIMENSIONS IN PARENTHESES ARE FOR REFERENCE.
 8) REFER TO JIS C 0806 (PACKING OF COMPONENTS FOR AUTOMATIC HANDLING)
 9) DETAIL OF PART NO. LABEL IS WRITTEN IN JAPANESE.
 PART NO. LABEL DESCRIBES THE FOLLOWING INFORMATION FROM TOP.
 PRODUCTION DATE:
 PRODUCT CODE: CL684-*****-51
 PART NUMBER: DF40B(2.0)-*DS-0.4V(51)
 NUMBER OF PIECES: 4000 PIECES
 SUPPLIER NAME: HIROSE ELECTRIC CO., LTD.
 10) THE SPROCKET HOLE ON ONE SIDES.

HRS	図番:	EDC3-332419-01
	製品名:	DF40B(2.0)-*DS-0.4V(51)
	製品コード:	CL684