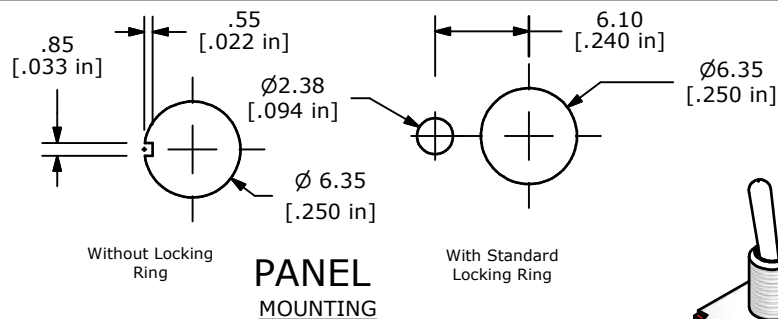
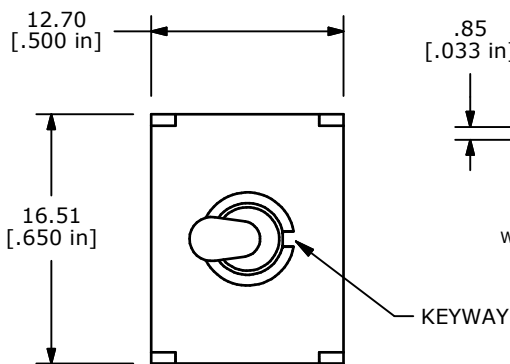
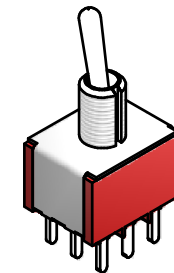


P.C. MOUNTING



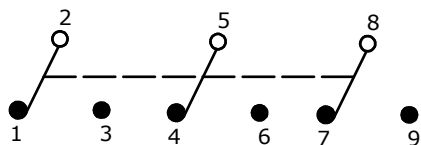
PANEL MOUNTING



ISOMETRIC

SWITCH FUNCTION		
POS. 1	POS. 2	POS. 3
ON	NONE	(ON)
2-3, 5-6, 8-9	OPEN	2-1, 5-4, 8-7

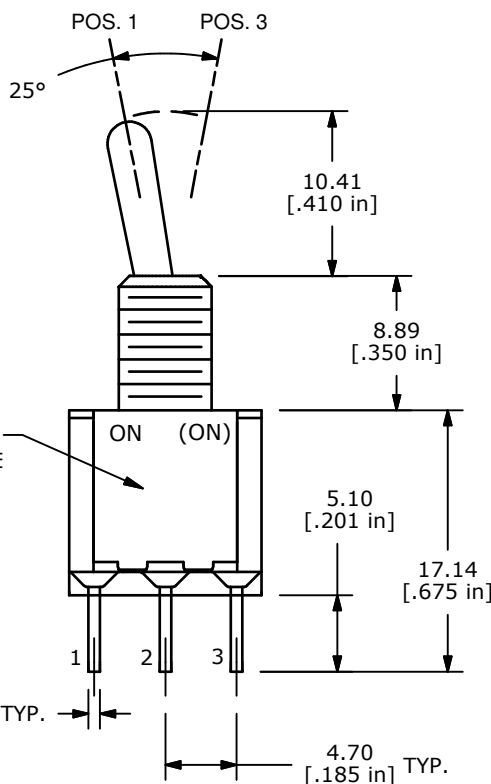
(ON) = MOMENTARY



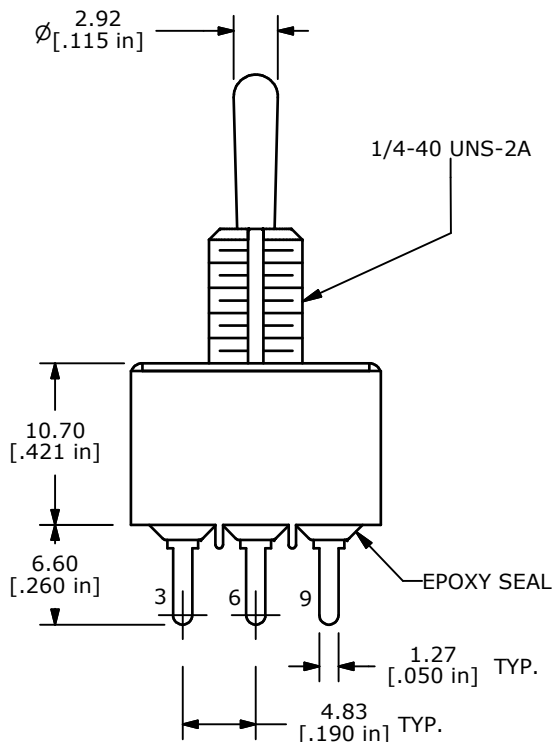
CIRCUIT: 3PDT

NOTE:

1. ALL DIMENSIONS IN MM [INCH]
2. GENERAL TOLERANCE: X.X=±0.4
X.XX=±0.25
3. TERMINAL NUMBERS FOR REF ONLY
- ▲ 4. PLATING MATERIAL: GOLD
5. RATING: 0.4 (VA) max. @20V max. (AC or DC);
6. ELECTRIC LIFE: 40,000 make-and-break cycles at full load.
7. INSULATION RESISTANCE: 1,000 Mega-ohm min.
8. DIELECTRIC STRENGTH: 1,000 V RMS @sea level.
9. OPERATING TEMP.: -30°C to 85°C
10. ▲ DENOTES CRITICAL PARAMETER.
11. 2002/95/EC (ROHS) COMPLIANT



E-SWITCH MARKING ON OPPOSITE SIDE



A	18114	RELEASED FOR PRODUCTION	5/27/08	BLR
REV	PCR NO	DESCRIPTION	DATE	BY

TITLE 1003P2T1B1M2RE				
SCALE 2:1	DATE 5/27/2008	DR BLR	DWG T131038	REV A

THE INFORMATION CONTAINED IN THIS DOCUMENT IS PROPRIETARY TO E-SWITCH AND IS NOT TO BE COPIED OR TRANSFERRED